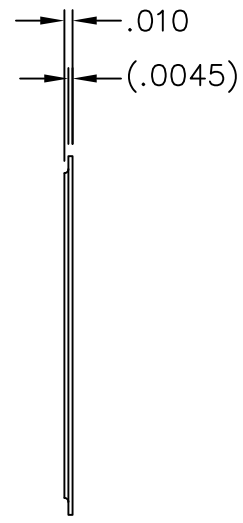
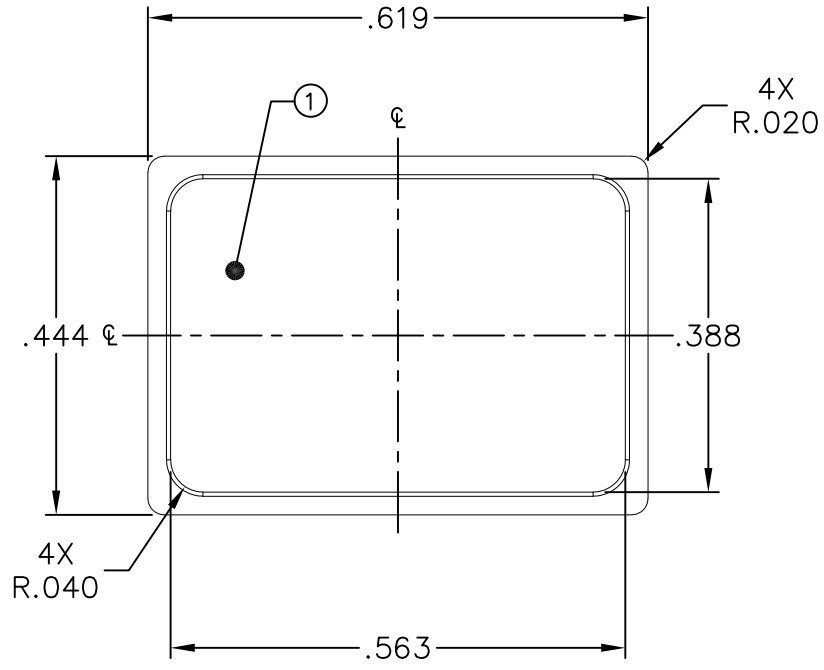


1 15865

RELEASED 05-04-16

| LET. | REVISIONS | BY/DATE | APPV. BY |
|------|----------------------------------|------------------|------------------|
| A | INITIAL RELEASE PER ECN M102833. | J.S. 12-04-15 | S.H. 02-01-16 |



| PART NO. | DESCRIPTION |
|----------|---|
| P002 | 100-300 μ" ELECTROLYTIC Ni. |
| P001 | 50 μ" Au OVER 100-300 μ" ELECTROLYTIC Ni. |

1. PLATING: SEE CHART.
2. RACK MARKS ALLOWED ON EDGES UP TO .020".

| ITEM NO. | DESCRIPTION | MATERIAL | REQ'D. | DRAWING NO. |
|----------|-------------|-----------|--------|-------------|
| 1 | LID | ASTM F-15 | 1 | 15865 |

BILL OF MATERIALS

| | | | | |
|---|--|---|--|----------------------|
| <small>TOLERANCE UNLESS SPECIFIED</small> .XX ± .005 .XXX ± .005 .XXXX ± .005 <small>ANGLES</small> <small>DIMS. ARE IN INCHES</small> SCALE 1X DO NOT SCALE PRINT | DRAWN BY J.SERNA DATE 12-04-15 | COMPANY CONFIDENTIAL SAN DIEGO PLANT KYOCERA AMERICA INC. 8611 BALBOA AVENUE SAN DIEGO, CA 92123-1580 | NAME PLATED LID | |
| | CHECKED BY M.SHANE DATE 01-20-16 | | MATERIAL SEE BOM | |
| | | | PROJECT SMD 1.0 | REV. A |
| | | | DWG. NO. SD-570-A2906 | DIR. N: SHEET 1 OF 1 |
| | | | APPROVED BY S.HIRA DATE 02-01-16 | |