

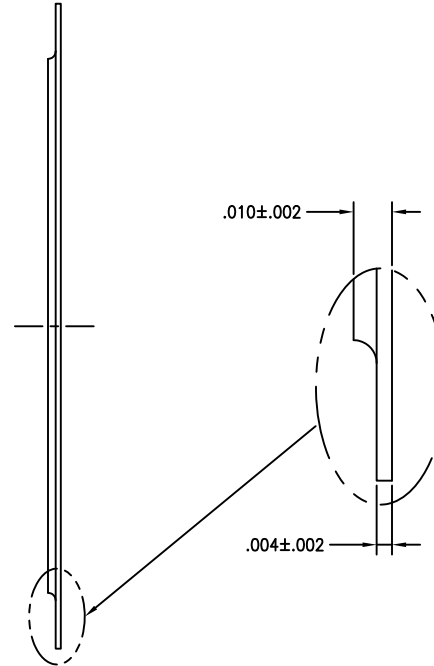
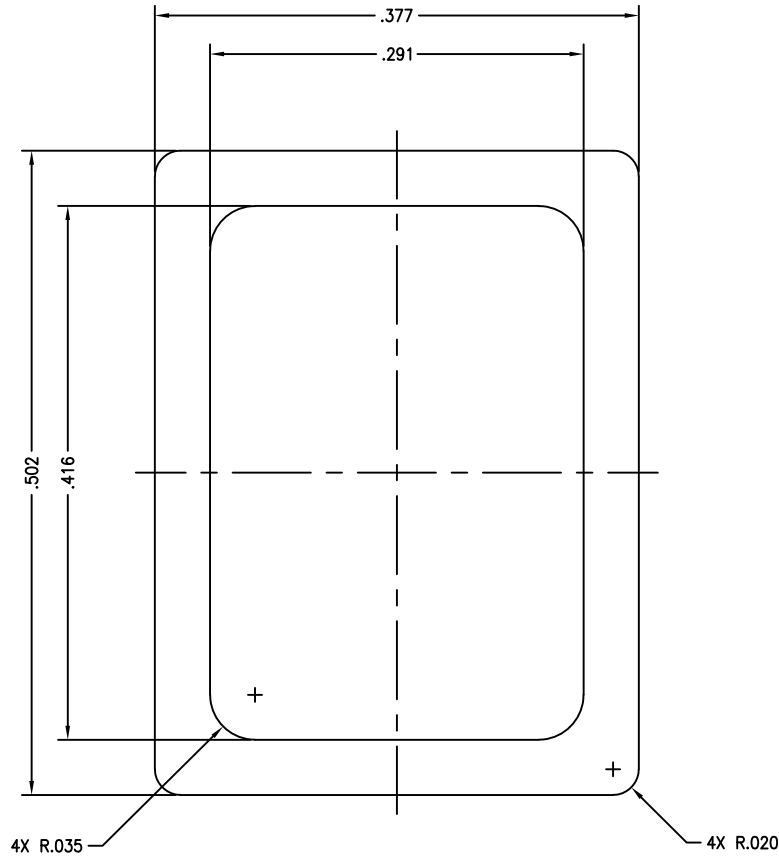
RELEASED

2

1

THIS DOCUMENT CONTAINS INFORMATION PROPRIETARY TO KYOCERA AMERICA, INC. ANY REPRODUCTION, DISCLOSURE, OR USE OF THIS DOCUMENT IS EXPRESSLY PROHIBITED EXCEPT AS KYOCERA AMERICA, INC. OTHERWISE AGREES TO IN WRITING.

| REVISION HISTORY | | | |
|------------------|----------------|----------|-----------|
| REV | DESCRIPTION | DATE | APPROVED |
| - | INITIAL ISSUE. | 07-15-13 | A. NOMURA |



NOTES:

1. PARTS TO MEET PS8019 LATEST REVISION.
2. ELECTROLYTIC Ni PLATE IN ACCORDANCE WITH AMS-QQ-N-290, CLASS 1, 100-300u" THICK FOLLOWED BY ELECTROLYTIC Au PLATE IN 50~225u" ACCORDANCE WITH ASTM B488, TYPE III CODE A(AREA .3961).
3. USE TRAY 1258-800 (LATEST REVISION) TO SHIP THIS LID TO OUR CUSTOMER.

| | | | | | | | | | | | | | | | | | | | | | | | | |
|--|--|----------------|------------|------|------------------------|-------|---|---|---|---|---|---|---|----|----|----|----|----|----|----|----|----|----|----|
| INTERPRET DIM AND TOL PER ASME Y14.5M-1994 TOLERANCE UNLESS OTHERWISE SPECIFIED ±.01 ON 2PL. DEC. ±.005 ON 3PL. DEC. ±1° ON ANGULAR DIM. DIMENSIONS IN mm DIMENSIONS IN INCHES X | COMPANY CONFIDENTIAL KYOCERA AMERICA, INC. DESIGN CENTER 8611 SALBON AVENUE SAN DIEGO, CA 92123-1580 PH: (858) 576-2600 FAX: (858) 573-0657 | SHEET INDEX | REV SHEET | - | 1 | 2 | 3 | 4 | 5 | 6 | 7 | 8 | 9 | 10 | 11 | 12 | 13 | 14 | 15 | 16 | 17 | 18 | 19 | 20 |
| | | DRAWN BY | S. LE | DATE | 07-15-13 | TITLE | | | | | | | | | | | | | | | | | | |
| | | CHECKED BY | | | MATERIAL | | | | | | | | | | | | | | | | | | | |
| | | CHECKED BY | Aki Nomura | | PROJECT No. | | | | | | | | | | | | | | | | | | | |
| | | CAD DATA SCALE | 1X | | DWG No. SD-560-1136-LD | | | | | | | | | | | | | | | | | | | |
| | | SHEET 1 OF 1 | | | | | | | | | | | | | | | | | | | | | | |

2

1

DRAWING LAST UPDATED: 01-16-15 9:02 AM

