

NOTES;

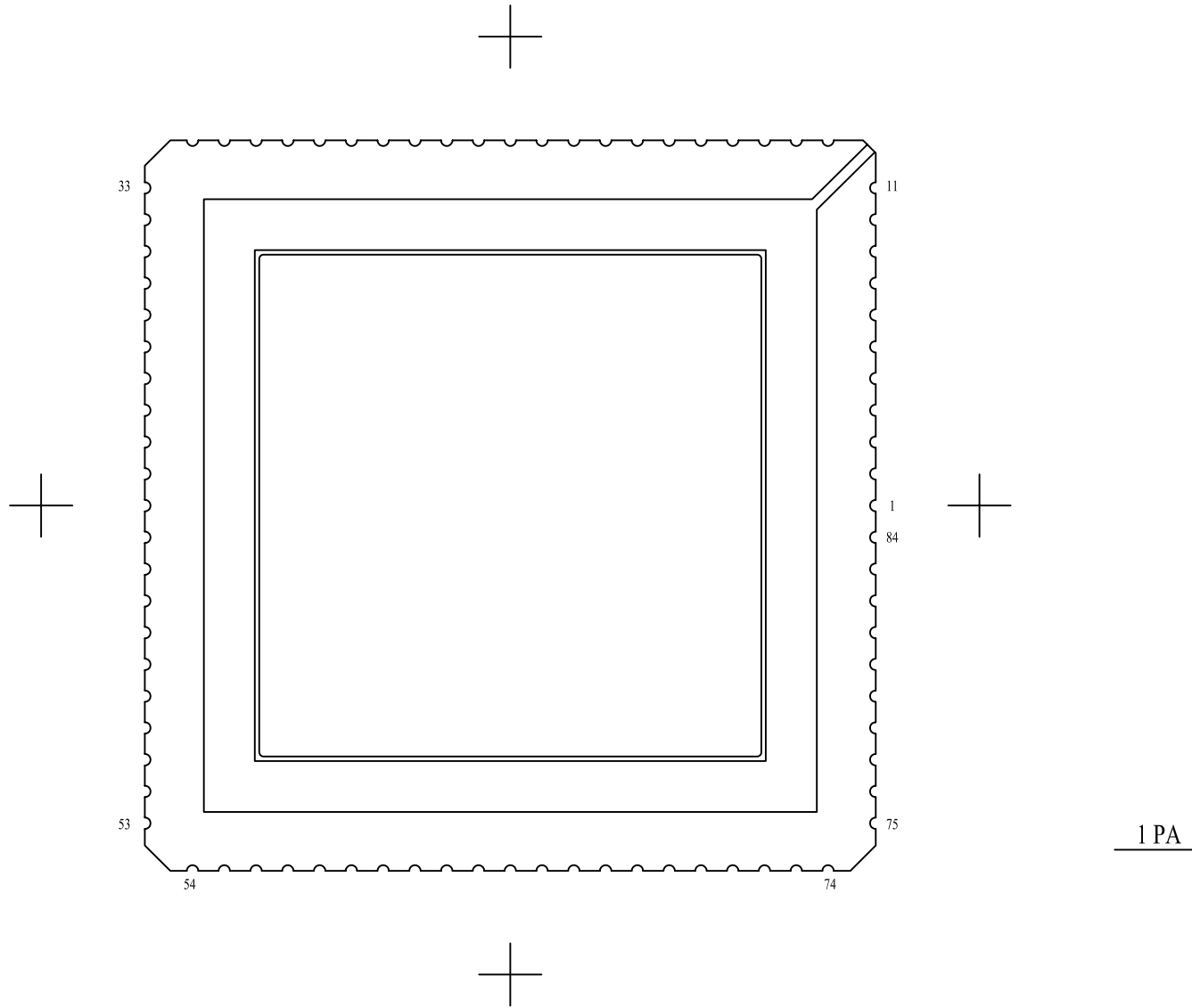
1. ALL EXPOSED METALLIZED AREA SHALL BE GOLD PLATED  
20 MICRO INCHES MIN. WITHOUT NICKEL PLATED.
2. SEAL AREA AND DIE ATTACH AREA SHALL BE ISOLATED FROM ALL LEADS.  
(ZERO GROUND)

					NAME	84 LCC (.700 SQ. CAV.)	TOLEANCES: TIMES EXPOSED	DRAWN	CHECKED	APPROVED	DATE
					SCALE	6 / 1	MATERIAL	KYOCERA A-440	$\pm .005$	S.SAWA	T.Y.
MODIFICATIONS CHANGE DATE DRAWN CHECKED APPROVED					KYOCERA KYOCERA CORPORATION KYOTO JAPAN		THIRD ANGLE PROJECTION DRAWING NO. PB-CA7671	SHEET 1 / 5			

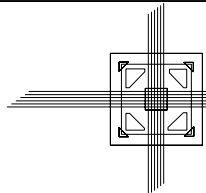
PB-C86131 (X00-84C) MOD.

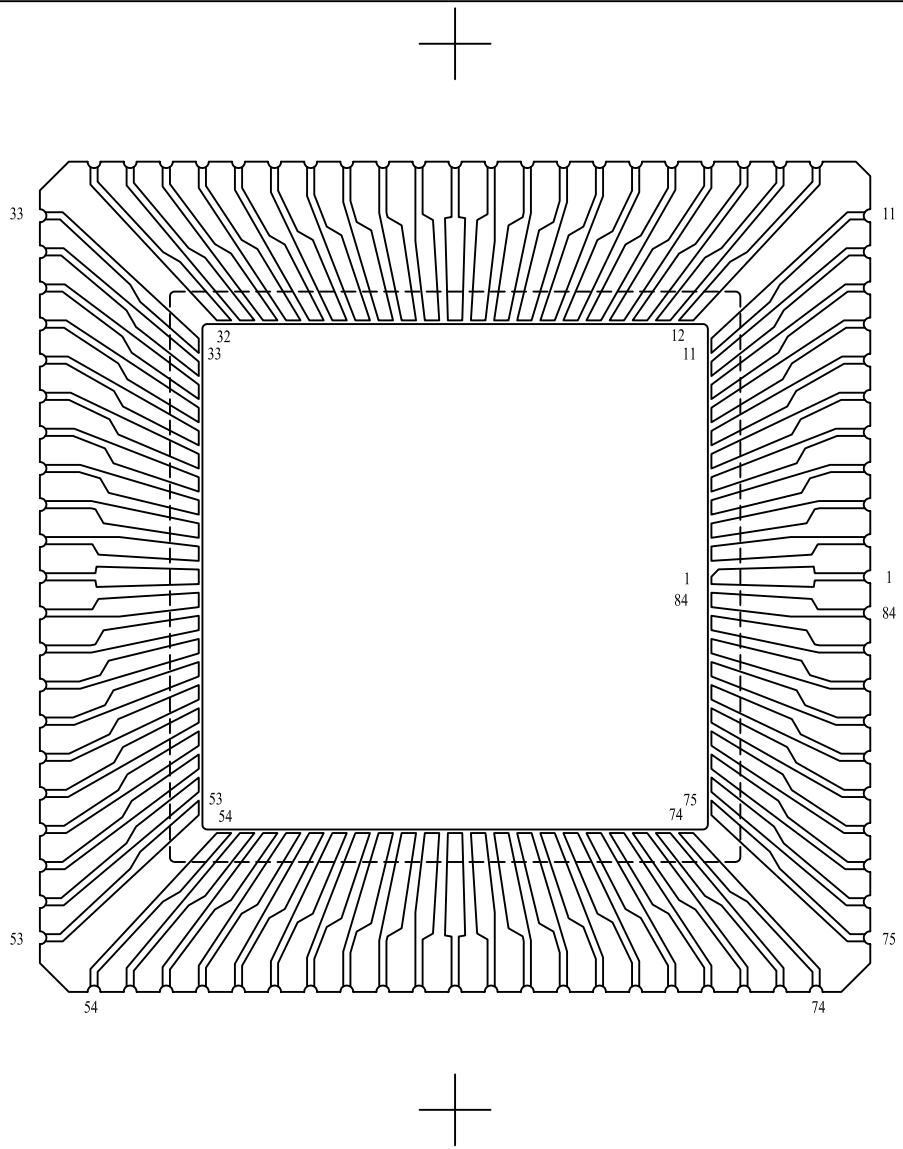


**SPECTRUM**  
SEMICONDUCTOR MATERIALS, INC.



MODIFICATIONS						NAME	84 LCC	(.700 SQ. CAV.)	TOLERANCES	DRAWN	CHECKED	APPROVED	DATE	
						SCALE	8 / 1	MATERIAL	VALUES OTHER THAN SPECIFIED	S.SAWA	T.Y.	U.E.	M.K.	JUL.18.07
									THIRD ANGLE PROJECTION					
	CHANGE	DATE	DRAWN	CHECKED	APPROVED		KYOCERA CORPORATION KYOTO JAPAN	DRAWING NO.	PB-CA7671	SHEET	2 / 5			

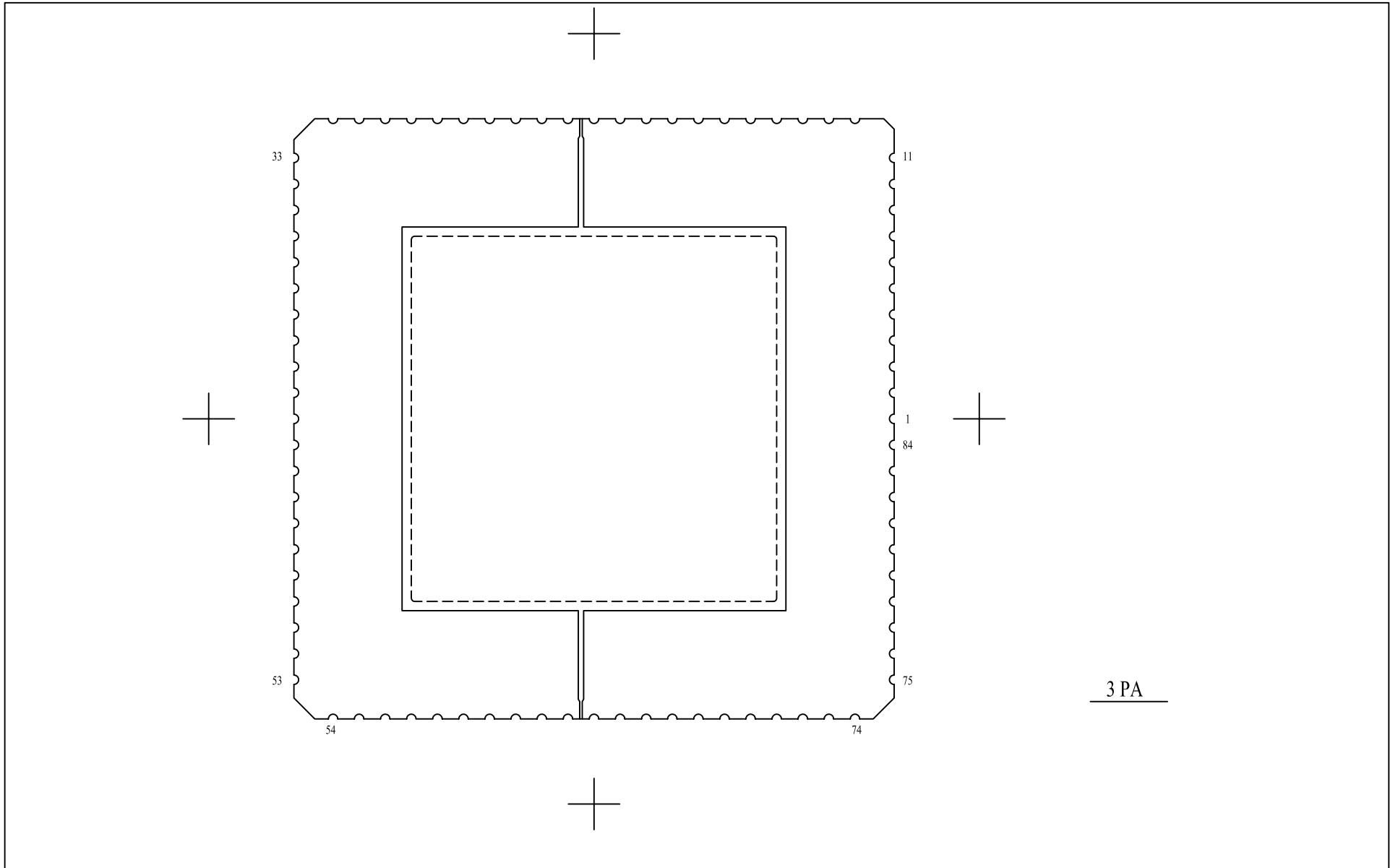




2 PA

MODIFICATIONS						NAME	84 LCC	(.700 SQ. CAV.)	TOLERANCES	DRAWN	CHECKED	APPROVED	DATE	
						SCALE	8 / 1	MATERIAL	UNLESS OTHERWISE SPECIFIED	SSAWA	T.Y.	U.F.	M.K.	JUL.18.'07
									THIRD-ANGLE PROJECTION					
	CHANGE	DATE	DRAWN	CHECKED	APPROVED		KYOCERA CORPORATION KYOTO JAPAN		DRAWING NO.	PB-CA7671		SHEET	3 / 5	

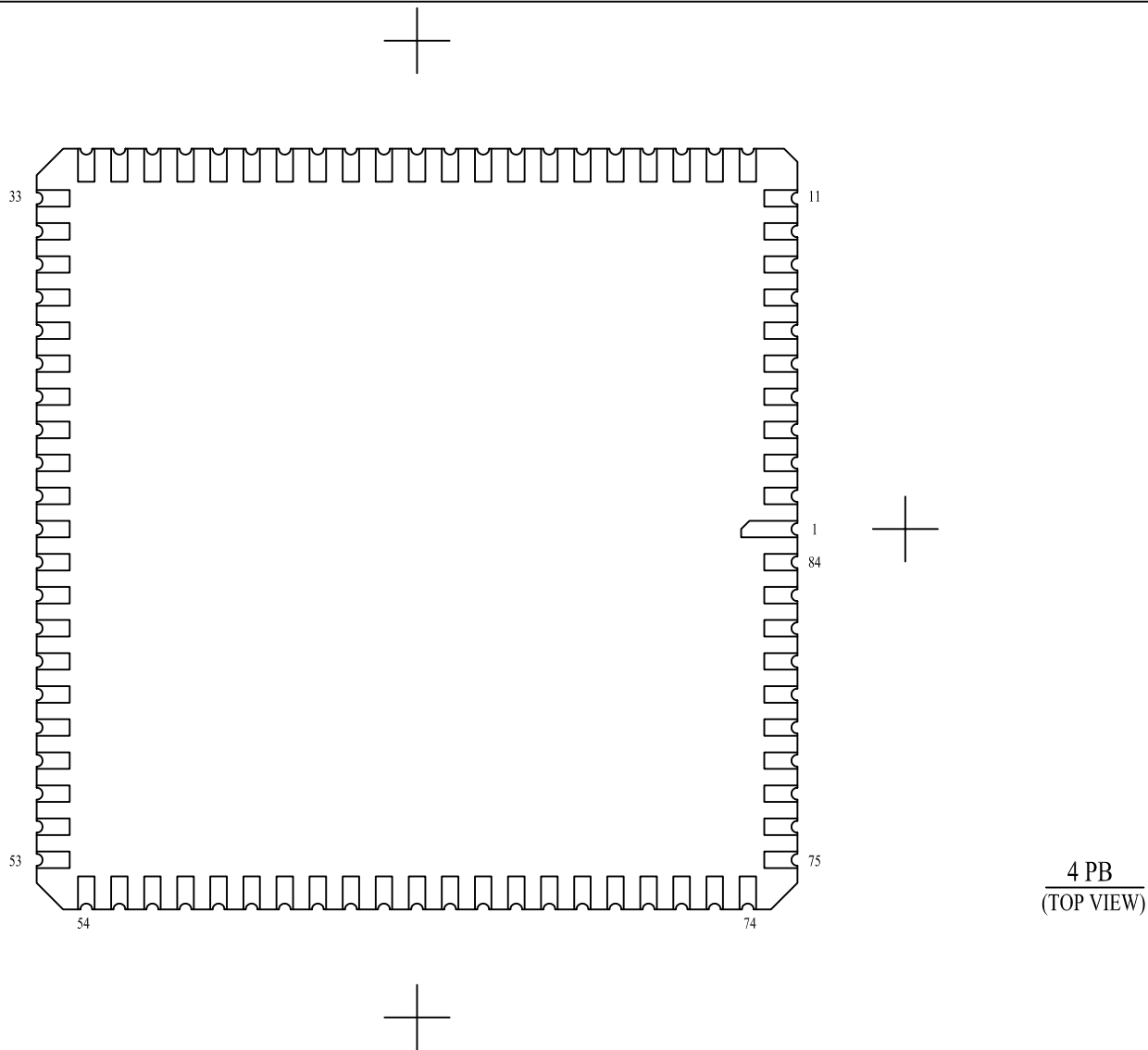




3 PA

MODIFICATIONS						NAME	84 LCC	(.700 SQ. CAV.)	TOLERANCES	DRAWN	CHECKED	APPROVED	DATE	
						SCALE	8 / 1	MATERIAL	UNLESS OTHERWISE SPECIFIED	S.SAWA	T.Y.	U.F.	M.K.	JUL.18.07
									THIRD ANGLE PROJECTION					
	CHANGE	DATE	DRAWN	CHECKED	APPROVED		KYOCERA CORPORATION KYOTO JAPAN		DRAWING NO.	PB-CA7671		SHEET	4 / 5	





MODIFICATIONS					NAME	84 LCC (.700 SQ. CAV.)	TOLERANCES	DRAWN	CHECKED	APPROVED	DATE
					SCALE	8 / 1	MATERIAL	S.SAWA	TY	UE	M.K
							THIRD ANGLE PROJECTION				
	CHANGE	DATE	DRAWN	CHECKED	APPROVED		KYOCERA CORPORATION KYOTO JAPAN	DRAWING NO.		PB-CA7671	SHEET
											5 / 5

