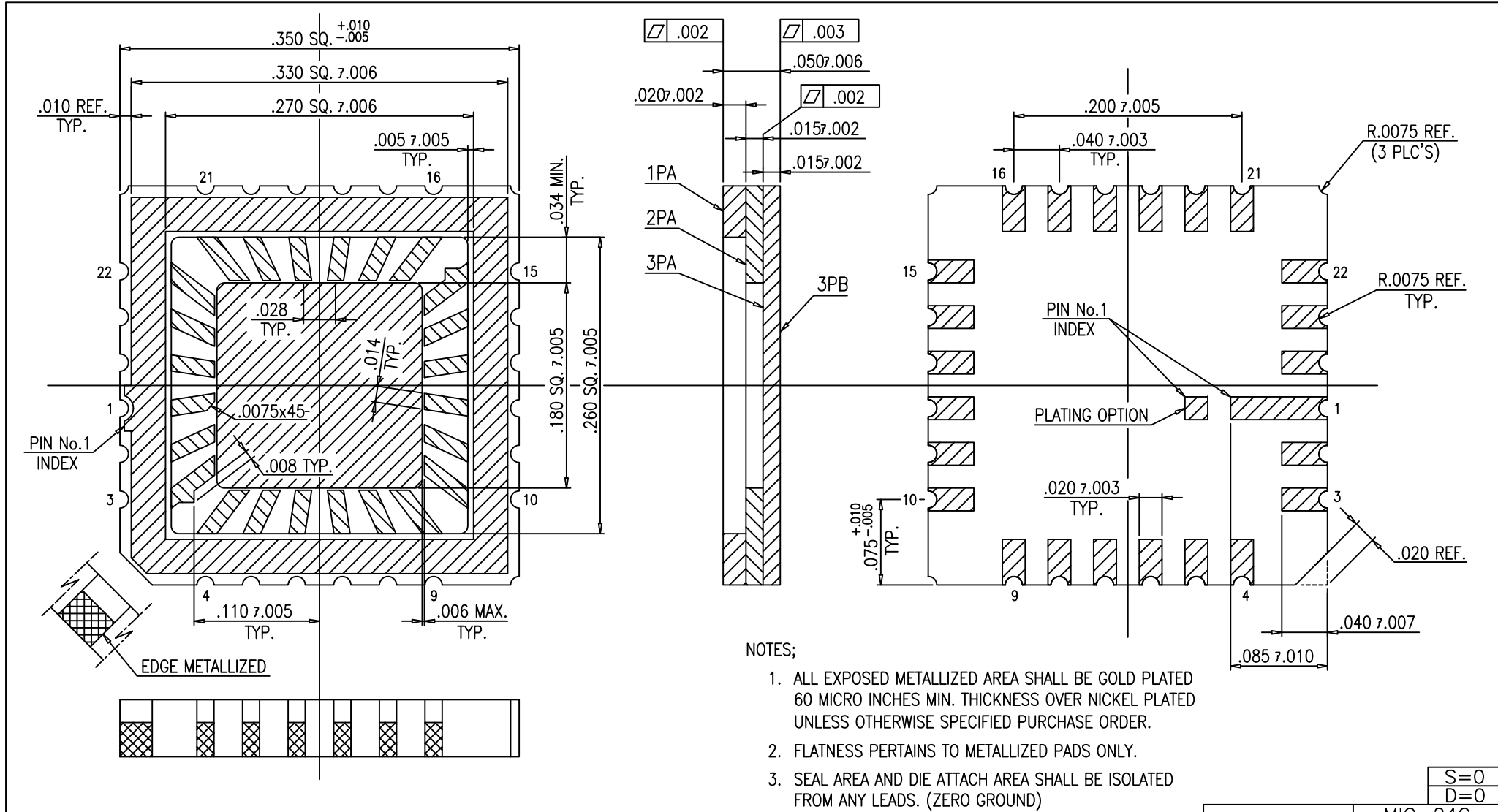


SSM P/N: LCC02421



NOTES;

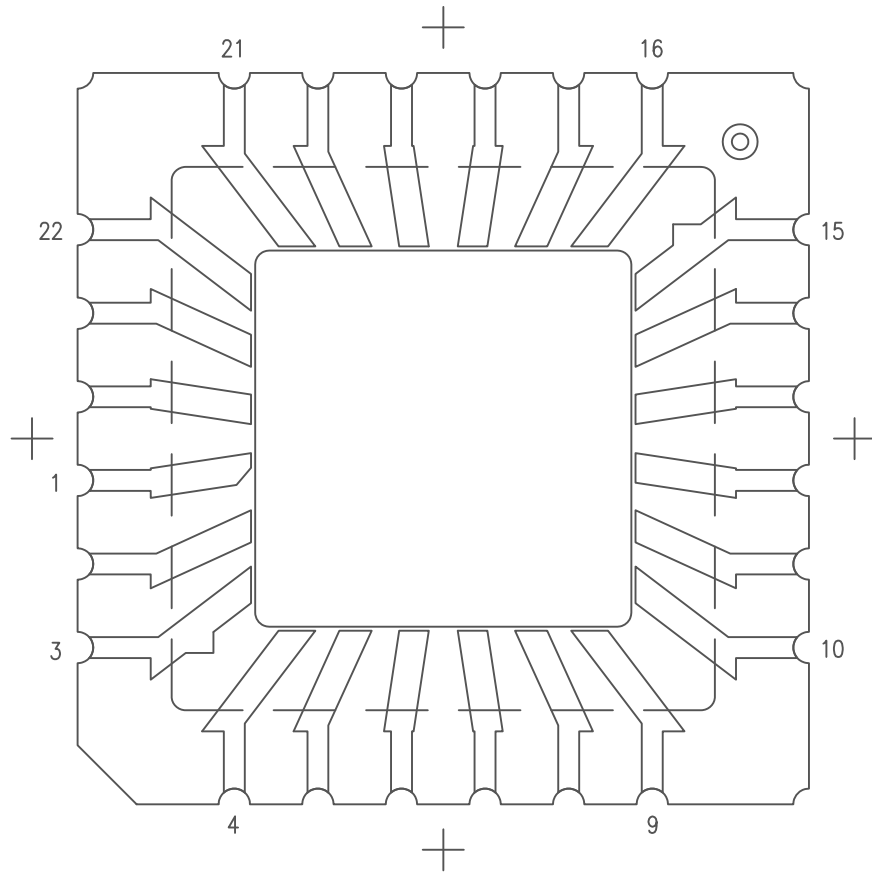
1. ALL EXPOSED METALLIZED AREA SHALL BE GOLD PLATED 60 MICRO INCHES MIN. THICKNESS OVER NICKEL PLATED UNLESS OTHERWISE SPECIFIED PURCHASE ORDER.
2. FLATNESS PERTAINS TO METALLIZED PADS ONLY.
3. SEAL AREA AND DIE ATTACH AREA SHALL BE ISOLATED FROM ANY LEADS. (ZERO GROUND)

MODIFICATIONS						NAME	24 LCC (.180 SQ. CAV)	TOLERANCES: UNLESS OTHERWISE SPECIFIED	±.005	THIRD ANGLE PROJECTION	DRAWN	CHECKED	APPROVED	MIO-24C DATE
						SCALE	12/1				M.T	T.Y/K.Y	M.M	JUL31.'12
								MATERIAL	KYOCERA A440					
						CHANGE	DATE	DRAWN	CHECKED	APPROVED	DRAWING NO.		SHEET 1/5	



KYOCERA CORPORATION
KYOTO JAPAN

PB-C86206

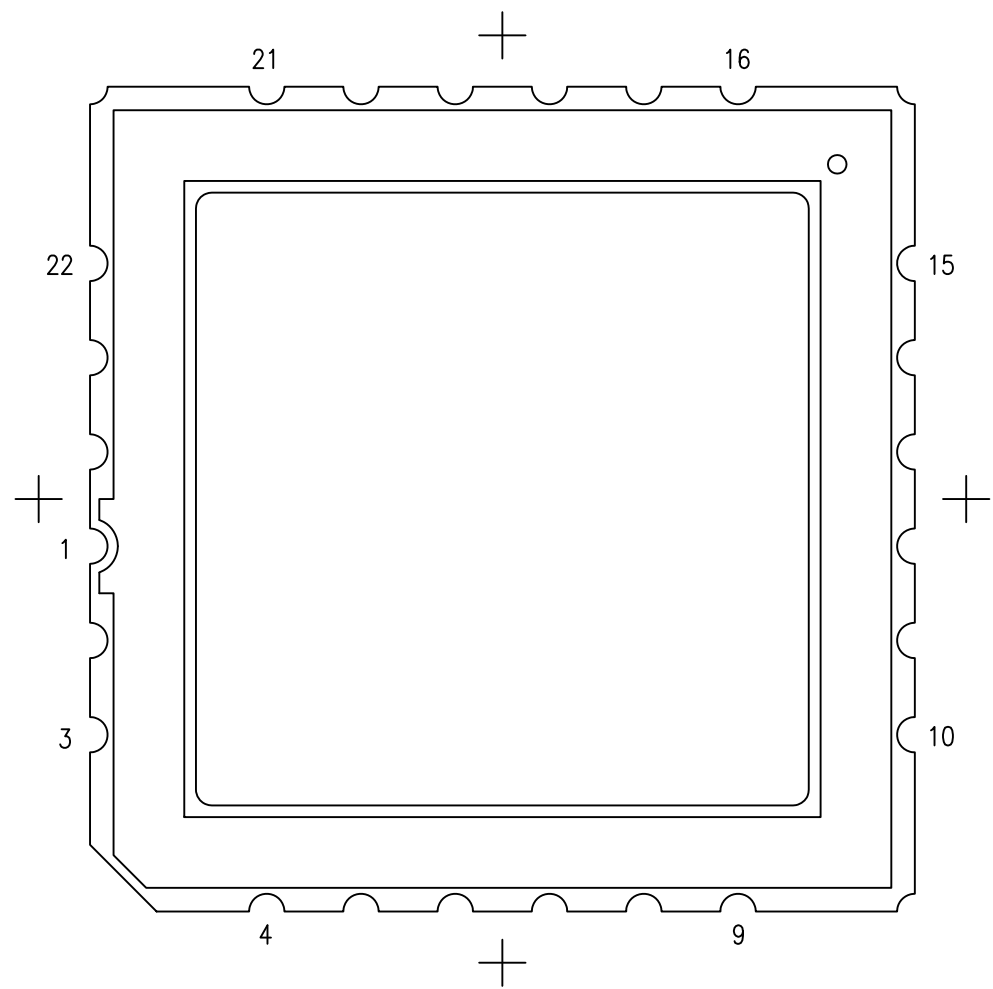


2 PA

MODIFICATIONS						NAME	24 LCC	(.180 SQ. CAV.)	TOLERANCES: UNLESS OTHERWISE SPECIFIED	DRAWN	CHECKED	APPROVED	DATE
						SCALE	18/1	MATERIAL		M.T	T.Y/M.A	M.M	JUL.31.'12
									THIRD ANGLE PROJECTION				
	CHANGE	DATE	DRAWN	CHECKED	APPROVED		KYOCERA CORPORATION KYOTO JAPAN			DRAWING NO. PB-C86206		SHEET 3/5	

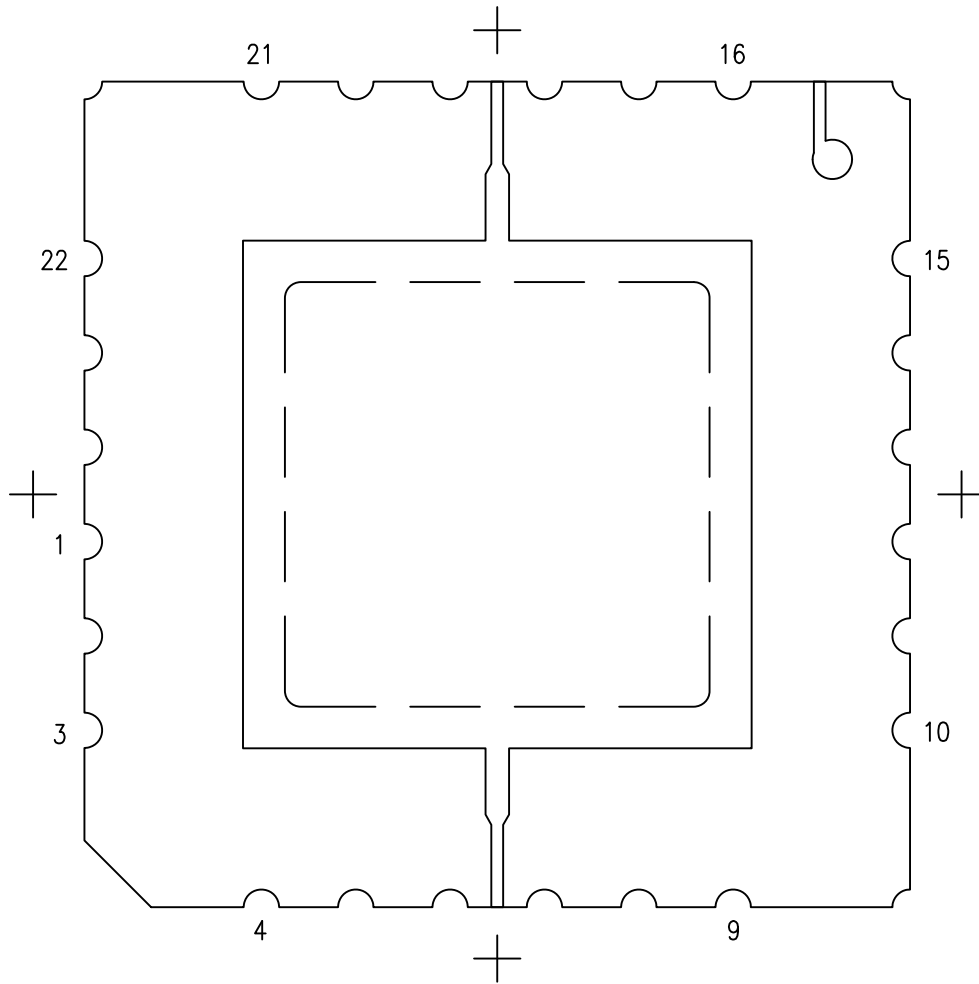


SSM P/N: LCC02421



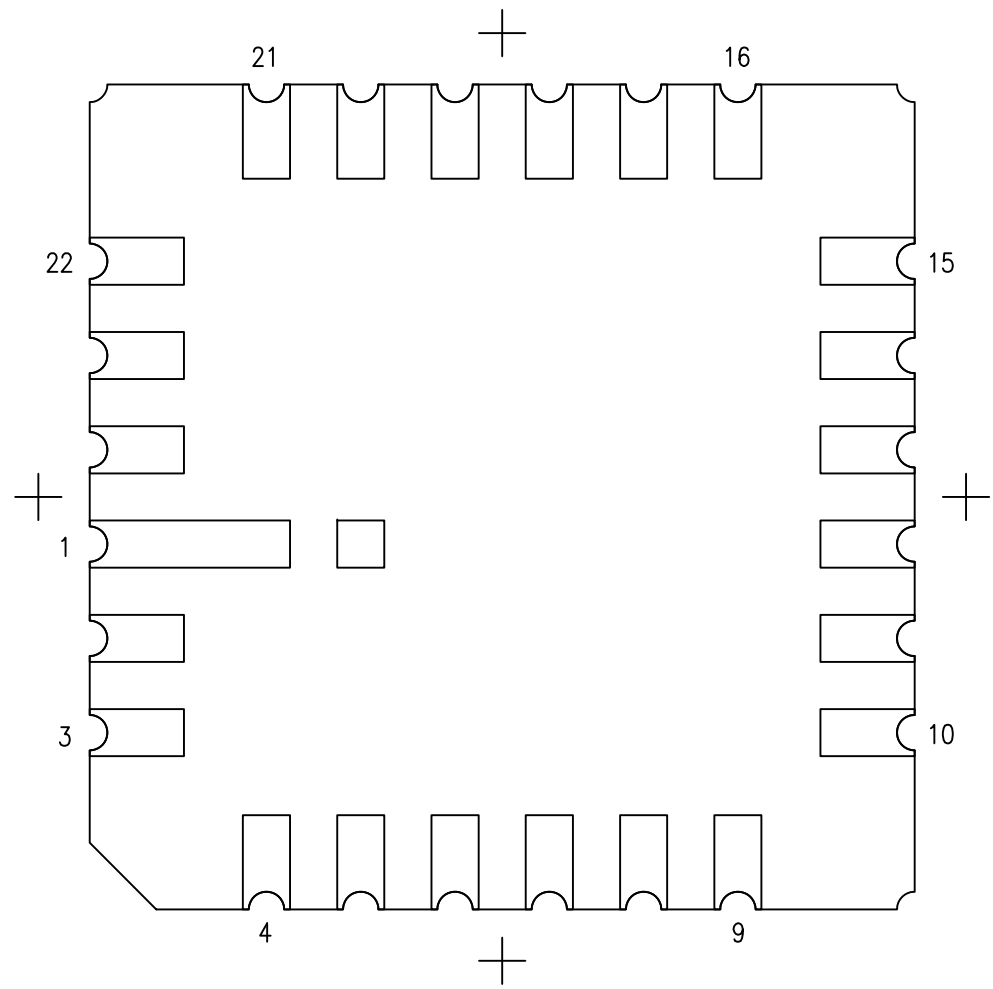
1 PA

MODIFICATIONS						NAME 24 LCC (.180 SQ. CAV.)	TOLERANCES: UNLESS OTHERWISE SPECIFIED	DRAWN	CHECKED	APPROVED	DATE
								M.T	T.Y/M.A	M.M	JUL.31.'12
						SCALE 18/1	MATERIAL	THIRD ANGLE PROJECTION			
	CHANGE	DATE	DRAWN	CHECKED	APPROVED		KYOCERA CORPORATION		DRAWING NO.	SHEET	
							KYOTO JAPAN		PB-C86206	2/5	



3 PA

MODIFICATIONS						NAME	24 LCC (.180 SQ. CAV.)	TOLERANCES: UNLESS OTHERWISE SPECIFIED	DRAWN	CHECKED	APPROVED	DATE
						SCALE	18 / 1		MATERIAL	M.T	T.Y/M.A	M.M
								THIRD ANGLE PROJECTION				
	CHANGE	DATE	DRAWN	CHECKED	APPROVED		KYOCERA CORPORATION KYOTO JAPAN		DRAWING NO. PB-C86206		SHEET 4 / 5	



3 PB
(TOP VIEW)

MODIFICATIONS						NAME 24 LCC (.180 SQ. CAV.)	TOLERANCES: UNLESS OTHERWISE SPECIFIED	DRAWN	CHECKED	APPROVED	DATE
								M.T	T.Y/M.A	M.M	JUL.31.'12
						SCALE 18/1	MATERIAL	THIRD ANGLE PROJECTION			
	CHANGE	DATE	DRAWN	CHECKED	APPROVED		KYOCERA CORPORATION KYOTO JAPAN		DRAWING NO.	SHEET	
					PB-C86206				5/5		

