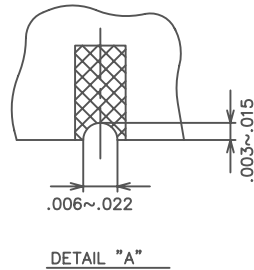
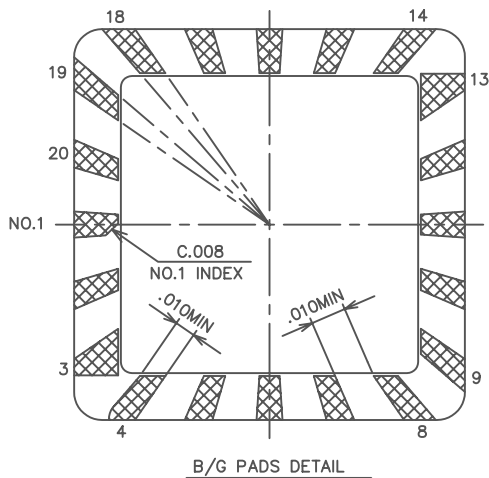
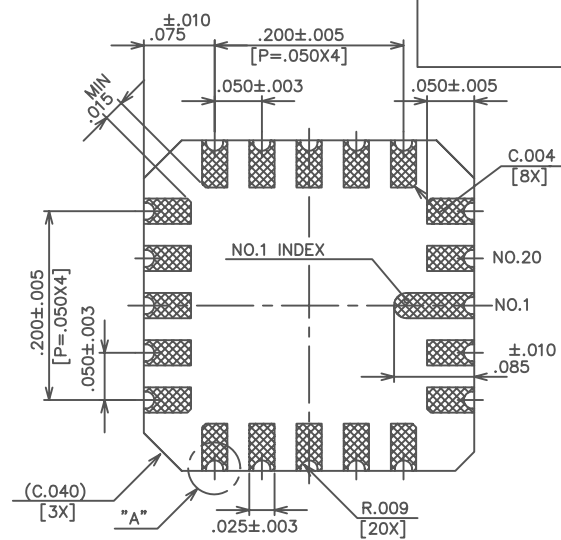
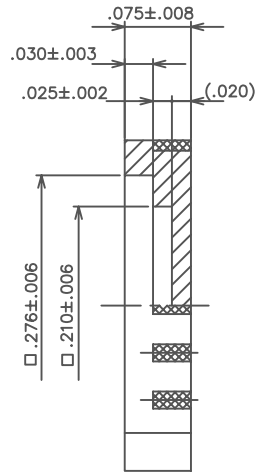
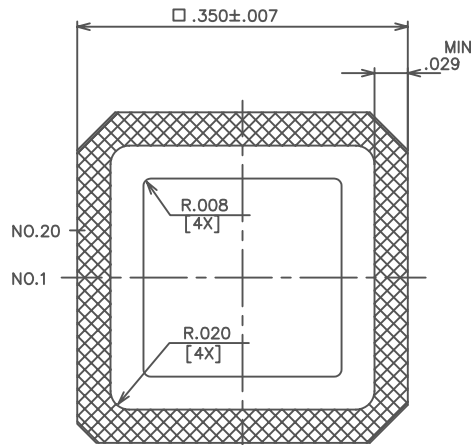


SSM P/N LCC02034

NTK

LATEST REVISION S DESCRIPTION

A CHG TOP CAVITY TOL
±.006 WAS ±.008



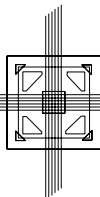
NOTES:

1. GOLD PLATE 100?~250? INCHES 80?~225? INCHES NICKEL.
2. NO LEAD TO BE ELECTRICALLY CONNECTED TO THE DIE ATTACH. SEAL RING ISOLATED.

MODIFIED
DWG NO.

| | | | | | |
|----------|------------------------------|---------------|-------------|------|--------------------------|
| 3 | | | | | |
| 2 | | | | A | RE DRAWING JUL-04-1995 |
| 1 | CERAMIC | BLACK ALUMINA | | Ø | NEW DRAWING APR.-13-1995 |
| Item | Name | Material | Description | Rev. | Description Date |
| | UNLESS OTHERWISE SPECIFIED | | DRAWN | | |
| | TOLERANCES: ± 1% | | WASHING | | |
| | N. L. T. DECIMALS 2 1 10 100 | | CHECKED | | |
| | DECIMALS 2 10 100 1000 | | | | |
| CUSTOMER | | | APPROVED | | |
| DWG NO. | | | UNIT | | |
| | | | SCALE | | |
| | | | | | |

PART NO. SHEET 1 OF 1



SPECTRUM
SEMICONDUCTOR MATERIALS, INC.

www.spectrum-semi.com Phone: 408-435-5555 Fax: 408-435-8226

