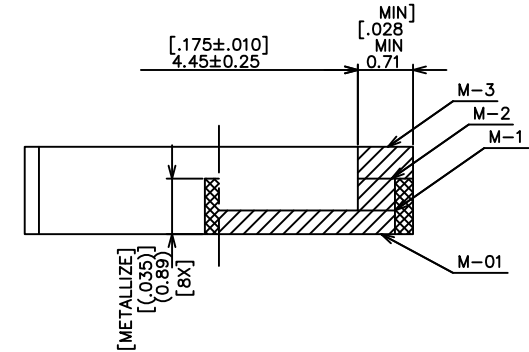
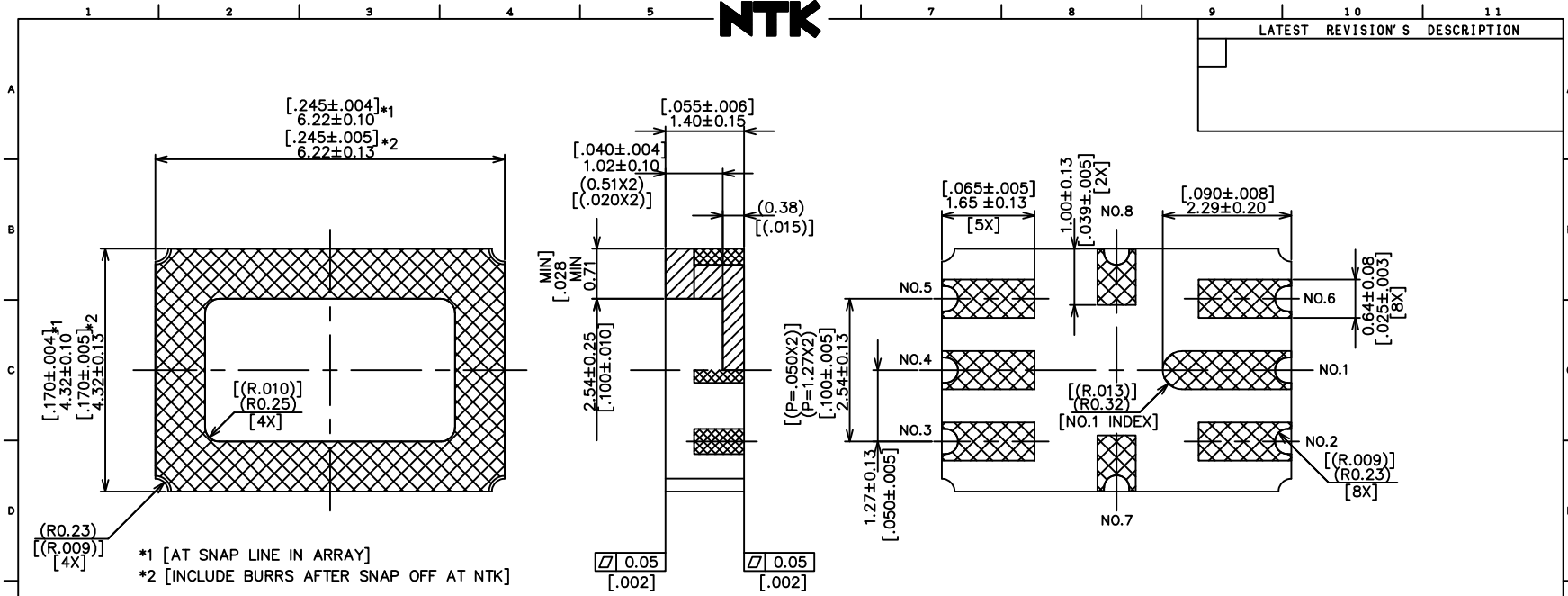




LATEST REVISION'S DESCRIPTION	



- NOTES: 1. GOLD PLATE 1.5?m MIN OVER 2.0?m MIN NICKEL.
 2. CONNECTION
 PAD A TO PIN NO. 1 , PAD B TO PIN NO. 2
 PAD C TO PIN NO. 3 , PAD D TO PIN NO. 4
 PAD E TO PIN NO. 5 , PAD F TO PIN NO. 6
 3. SEAL RING TO BE ELECTRICALLY CONNECTED PIN NO. 7 & 8.
 4. NTK SPECIFICATION YS-1021 SHALL APPLY.

TABLE 1

DWG NO.	SHIPPING TYPE
IRK08F1-1285A	SINGLE PART TYPE
IRK08F1-1285A-NB	ARRAY TYPE

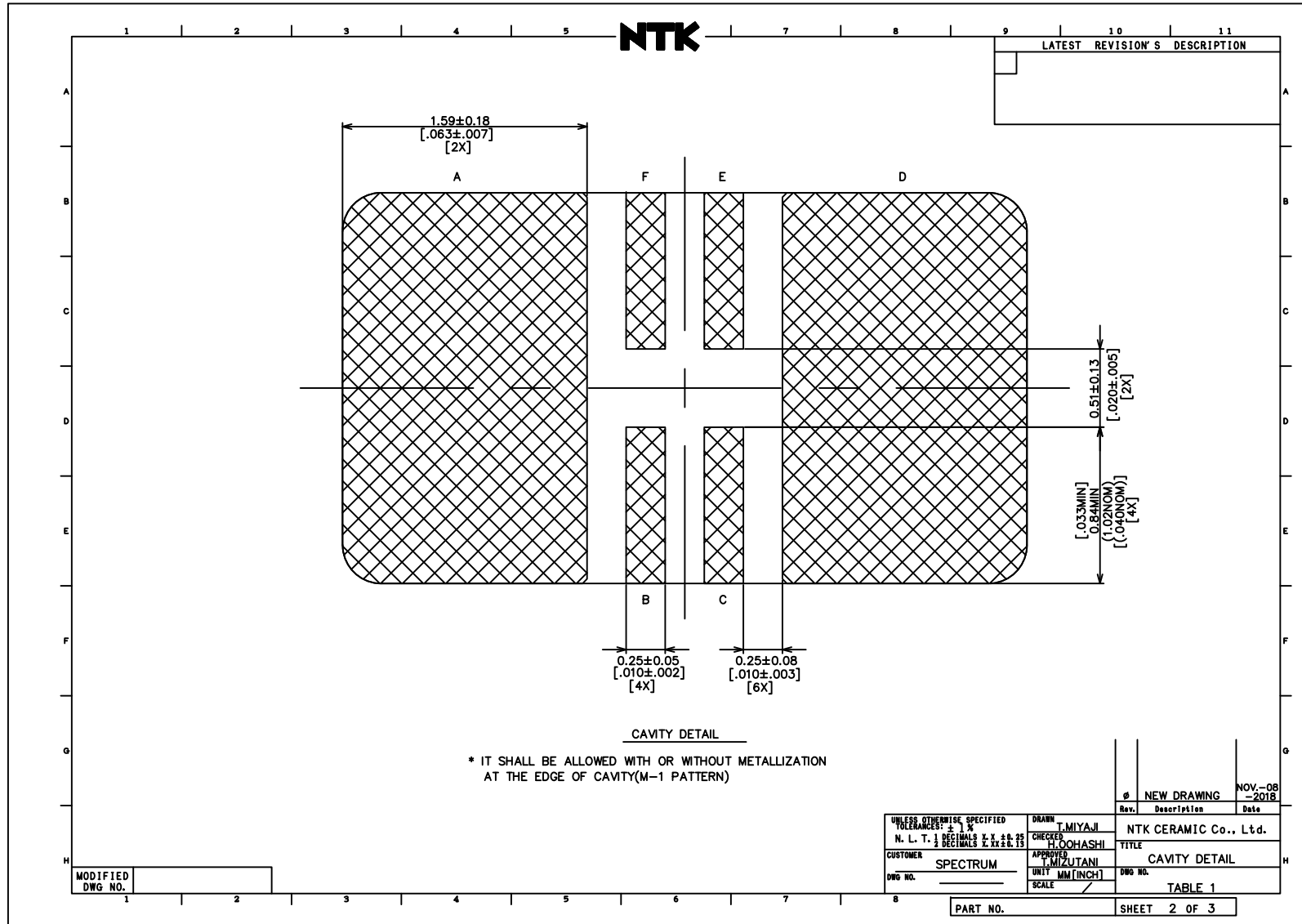
Item	Name	Material	Description	Rev.	Description	Date
3						
2						
1	CERAMIC	BA-916			NEW DRAWING	NOV.-08-2018
UNLESS OTHERWISE SPECIFIED TOLERANCES: ± 1 %						
DRAWN T.MIYAJI NTK CERAMIC Co., Ltd.						
CHECKED H.OHASHI TITLE						
APPROVED T.MIZUTANI 8 LEAD CHIP CARRIER						
CUSTOMER SPECTRUM UNIT MM [INCH] DWG NO.						
SCALE /						

MODIFIED DWG NO. 1

PART NO. SHEET 1 OF 3

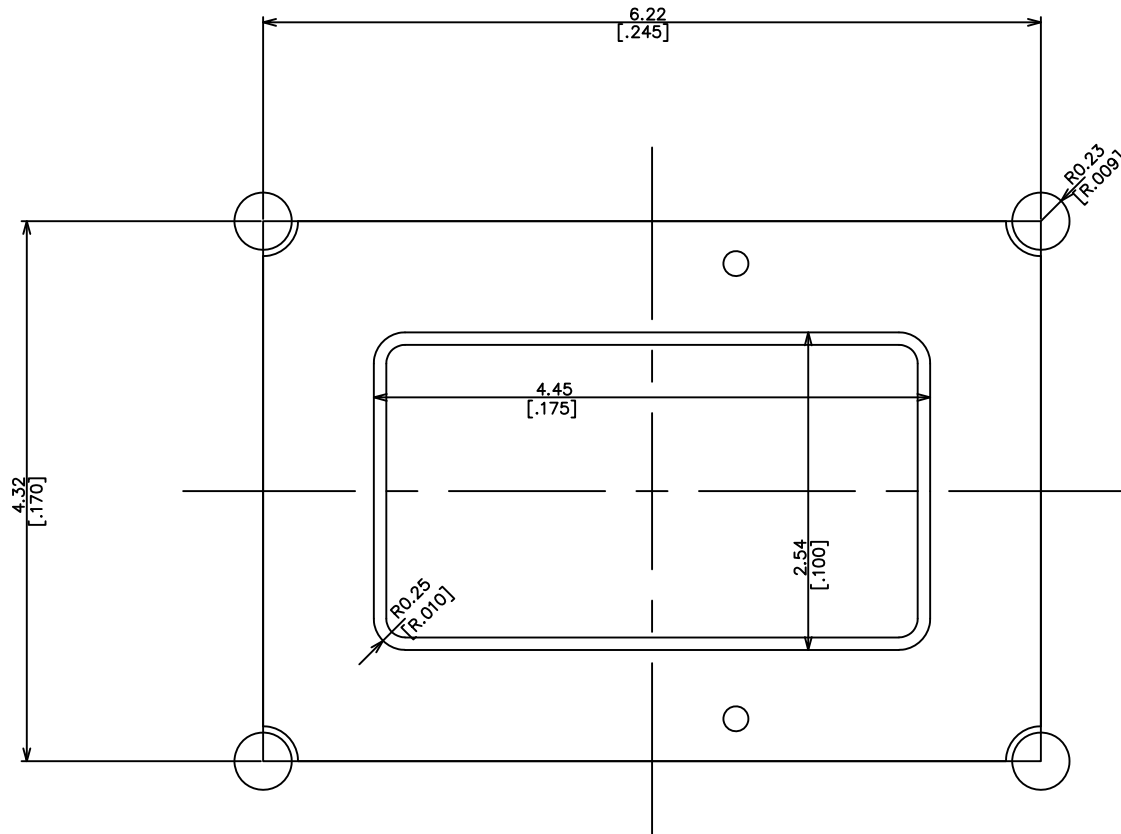


SSM P/N LCC00801



NTK

LATEST REVISION S DESCRIPTION



BEFORE CAVITY PUNCHING

MODIFIED
DWG NO.

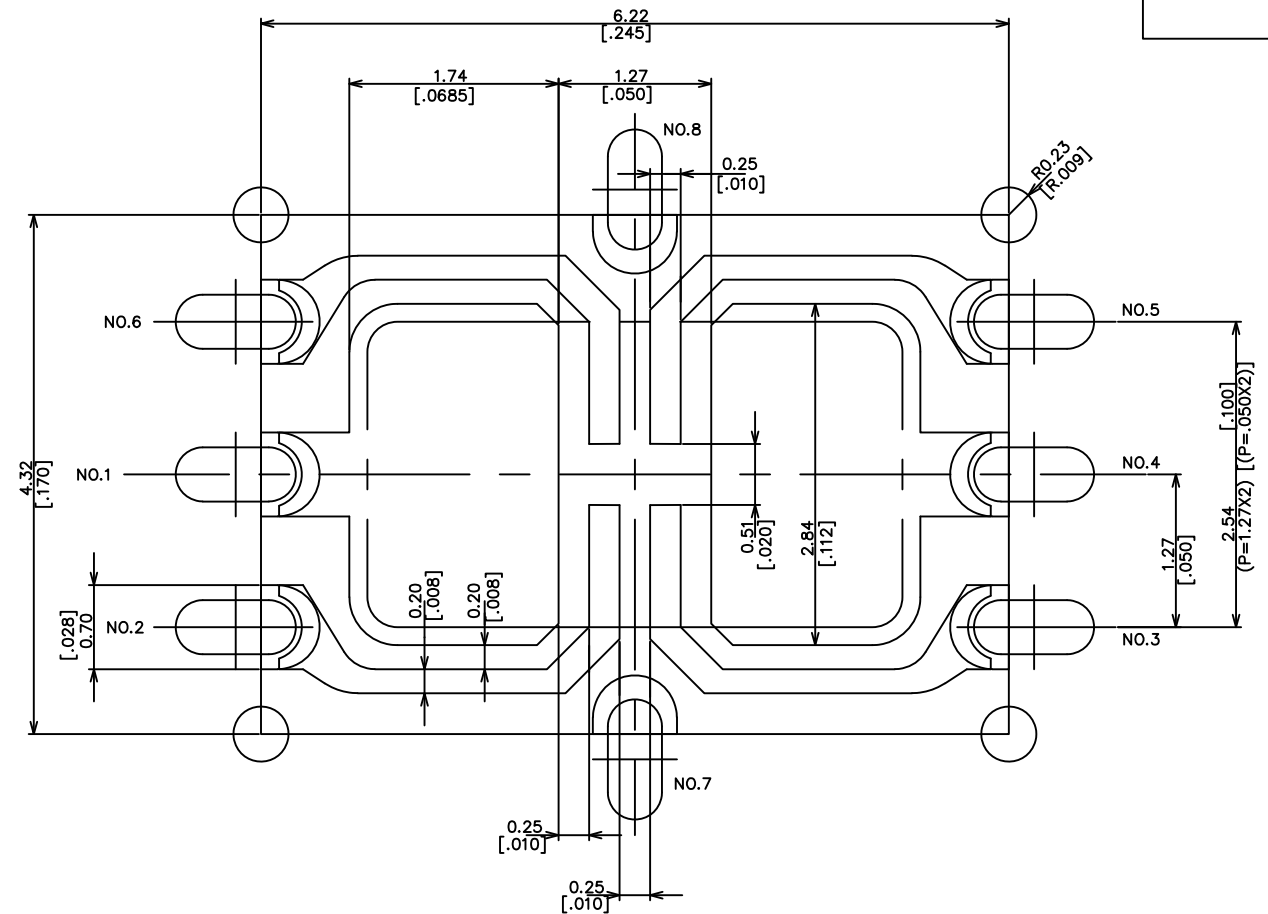
DESCRIPTION	DRAWN	T. MIYAJI	Rev.	NEW DRAWING	NOV.-08
FILE NAME	CHECKED	H. OOHASHI	Description	NTK CERAMIC Co., Ltd.	-2018
CUSTOMER	APPROVED	T. MIYAJI	Title	S/R PATTERN	
DWG NO.	UNIT	MM [INCH]	DWG NO.	P-IRK-1285A-3	
	SCALE	/			

PART NO. SHEET OF



NTK

Rev.	Description	Date
1	NEW DRAWING	NOV.-08-2018



MODIFIED DWG NO. 1

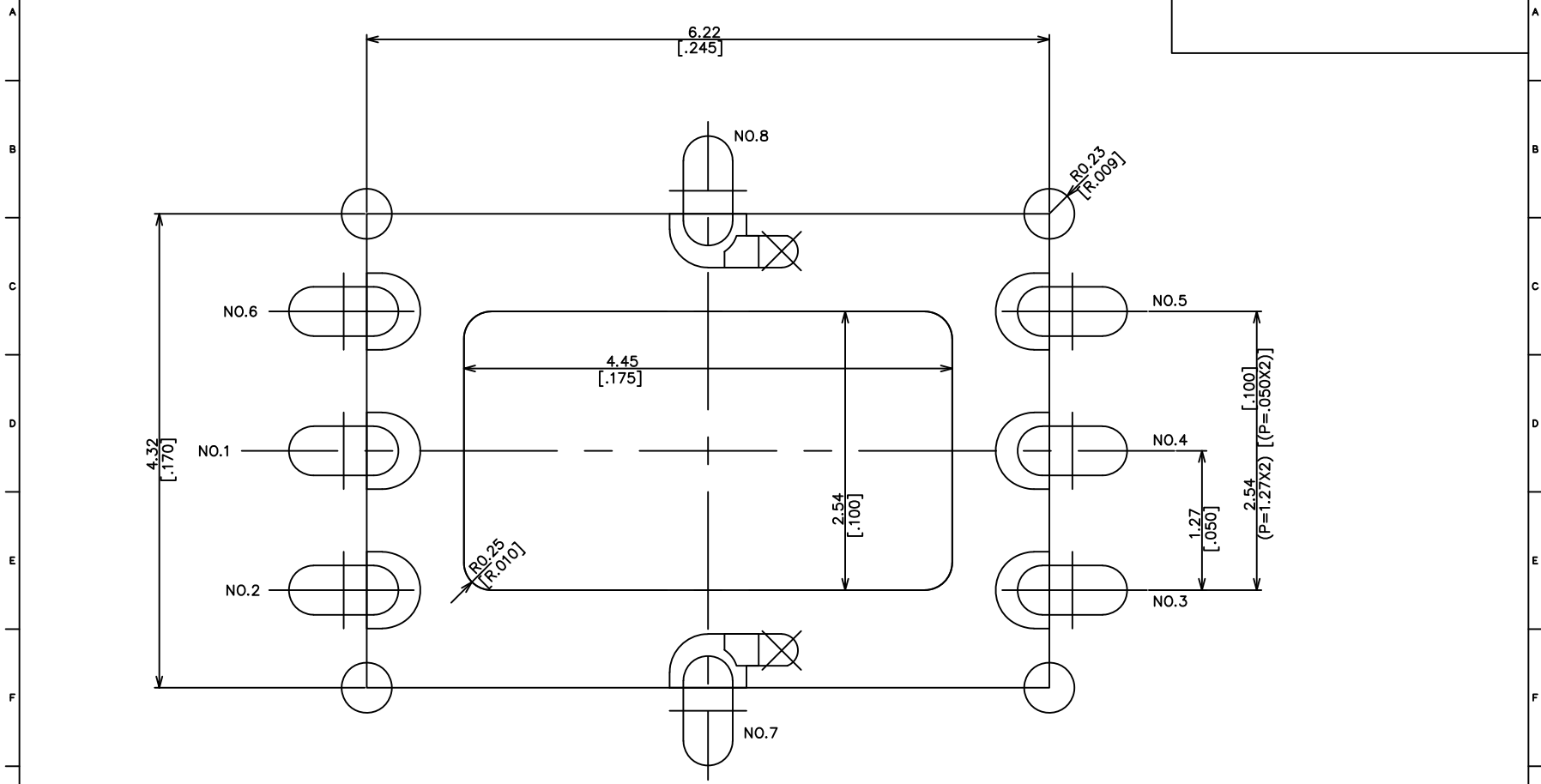
DESCRIPTION	DRAWN T.MIYAJI	Rev.	NEW DRAWING	NOV.-08-2018
FILE NAME pr1285a-e	CHECKED H.OHASHI	Description	NTK CERAMIC Co., Ltd.	
CUSTOMER SPECTRUM	APPROVED I.MIZUTANI	Title	B/G PATTERN	
DWG NO.	UNIT MM [INCH]	DWG NO.	P-IRK-1285A-1	
	SCALE			

PART NO. SHEET OF



NTK

9	10	11
LATEST REVISION'S		DESCRIPTION



MODIFIED DWG NO. 1 2

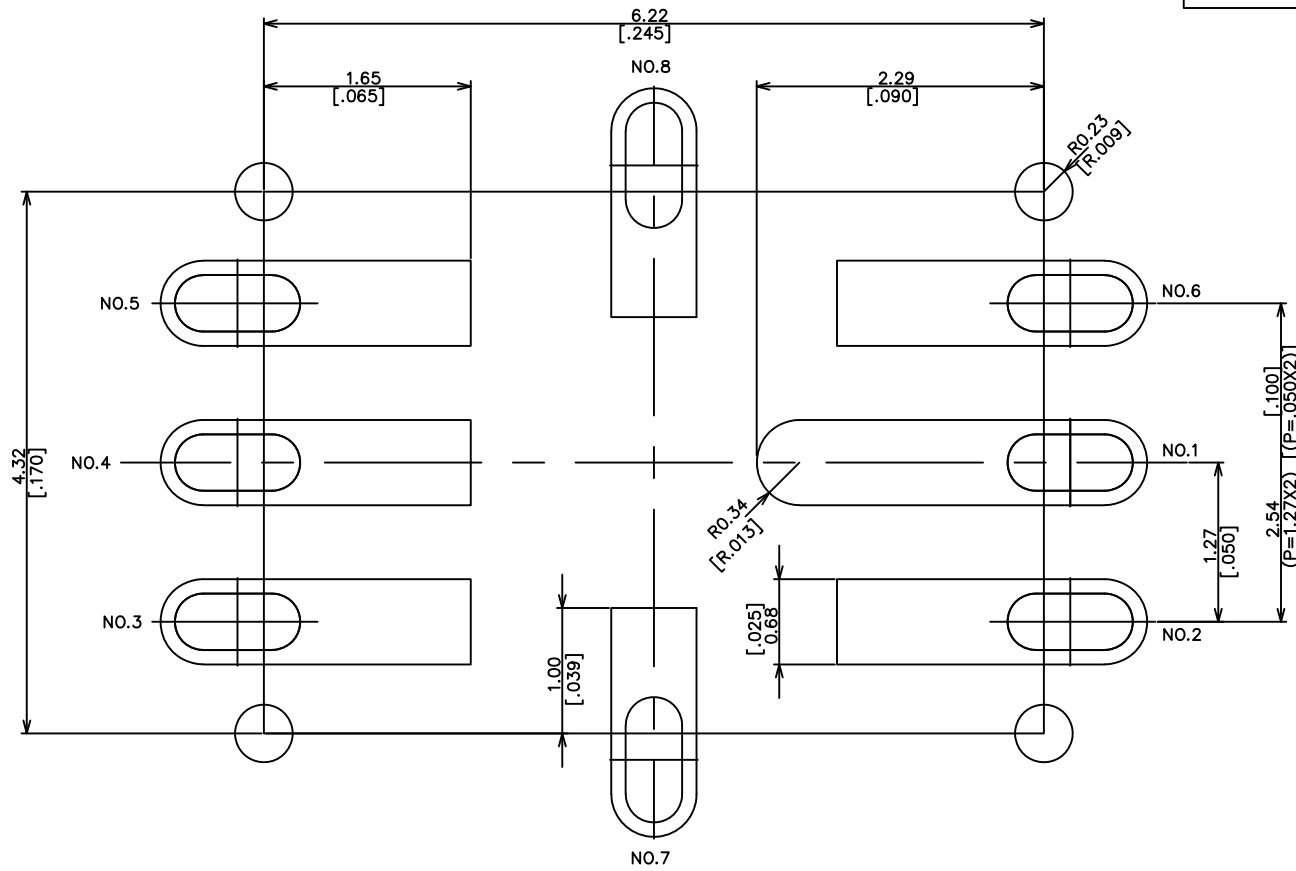
DESCRIPTION	DRAWN T.MIYAJI	Rev.	NEW DRAWING	NOV-08
FILE NAME pr1285a-e	CHECKED H.OOHASHI	Description	NTK CERAMIC Co., Ltd.	-2018
CUSTOMER SPECTRUM	APPROVED T.MIZUTANI	TITLE M-2 PATTERN		
DWG NO.	UNIT MM (INCH)	DWG NO.	P-IRK-1285A-2	
SCALE		SHEET OF		

PART NO. SHEET OF



NTK

LATEST REVISION'S DESCRIPTION



MODIFIED DWG NO.

DESCRIPTION	DRAWN	T.MIYAJI	NEW DRAWING	NOV.-08
FILE NAME	CHECKED	H.OOHASHI	Rev.	Description
CUSTOMER	APPROVED	T.MIZUTANI	Date	NOV.-08
DWG NO.	UNIT	MM [INCH]	NTK CERAMIC Co., Ltd.	
	SCALE		TITLE	
			BOTTOM PAD	
			DWG NO.	
			P-IRK-1285A-01	

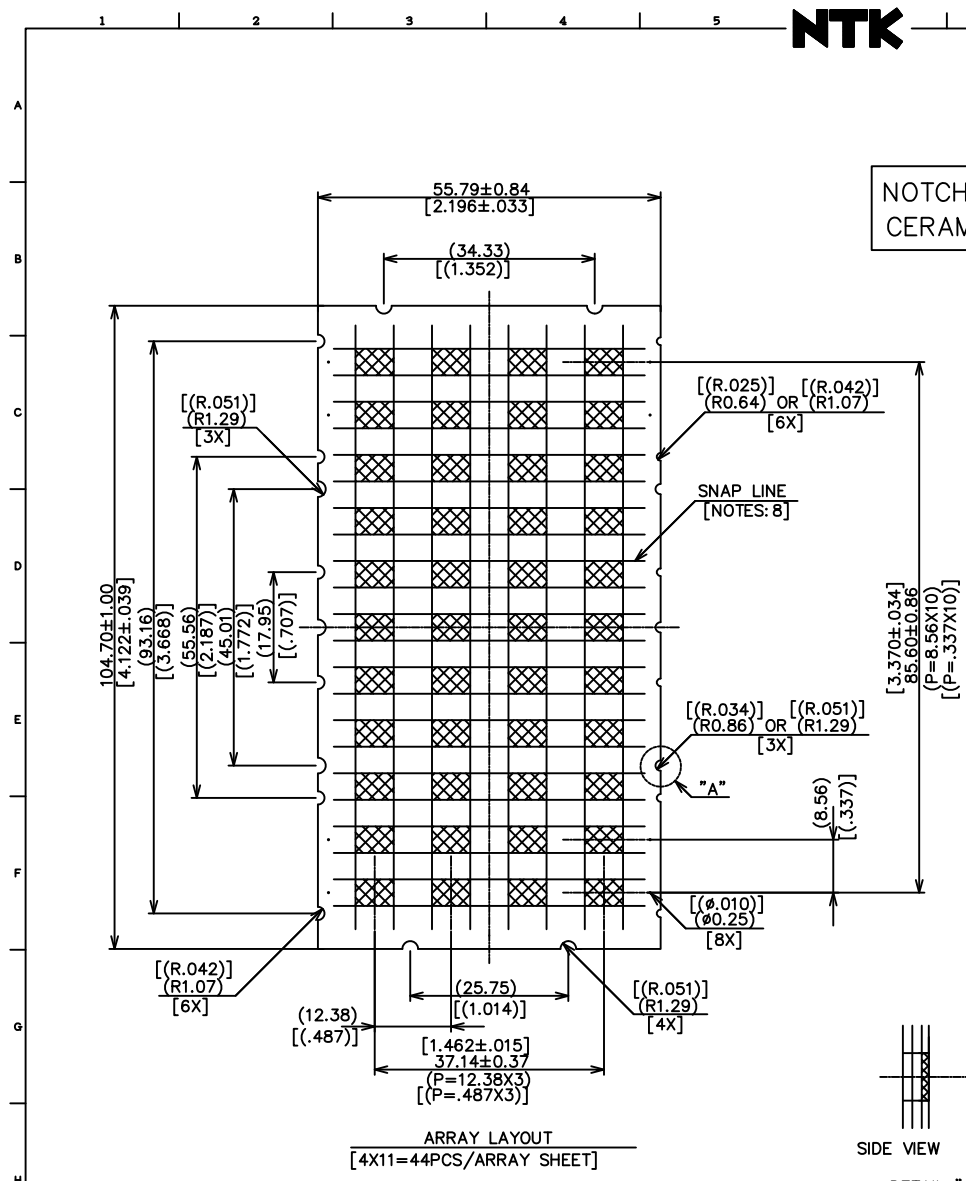
PART NO. SHEET OF





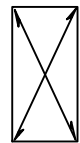
REV.	DATE	DESCRIPTION

NOTCH, HOLE & SNAP LINE IN THE EXTRA CERAMIC AREA SHOULD BE VENDOR'S OPTION



NOTES:

- 6 PCS MAX OF DISCREPANCY PARTS SHALL BE ALLOWED IN ONE ARRAY SHEET. DISCREPANCY PARTS SHALL BE MARKED ON D/A.
- LEAK TEST AND ELECTRICAL TEST ARE NOT PERFORMED SINCE IT IS IMPOSSIBLE TO MAKE IN ARRAY FORM.
- ARRAY FORM FLATNESS SHALL BE 0.102mm / 25.4mm MAX.



0.48MAX
[.019MAX]



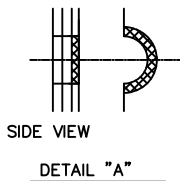
0.22MAX
[.009MAX]



0.42MAX
[.017MAX]

- LENGTH OF SNAP LINES AT ARRAY EDGE IS NTK'S OPTION.

*NOTES.5~8: ARRAY TYPE ONLY.



MODIFIED
DWG NO.

UNLESS OTHERWISE SPECIFIED TOLERANCES: ± 1%		DRAWN T.MIYAJI	NTK CERAMIC Co., Ltd.
N. L. T. 1/2 DECIMALS X, Y ± 0.25 1/2 DECIMALS X, Y ± 0.13		CHECKED H.OHASHI	TITLE
CUSTOMER SPECTRUM	APPROVED T.MIZUTANI	UNIT MM(INCH)	ARRAY LAYOUT
DWG NO.	SCALE	DWG NO.	TABLE 1

PART NO. SHEET 3 OF 3

