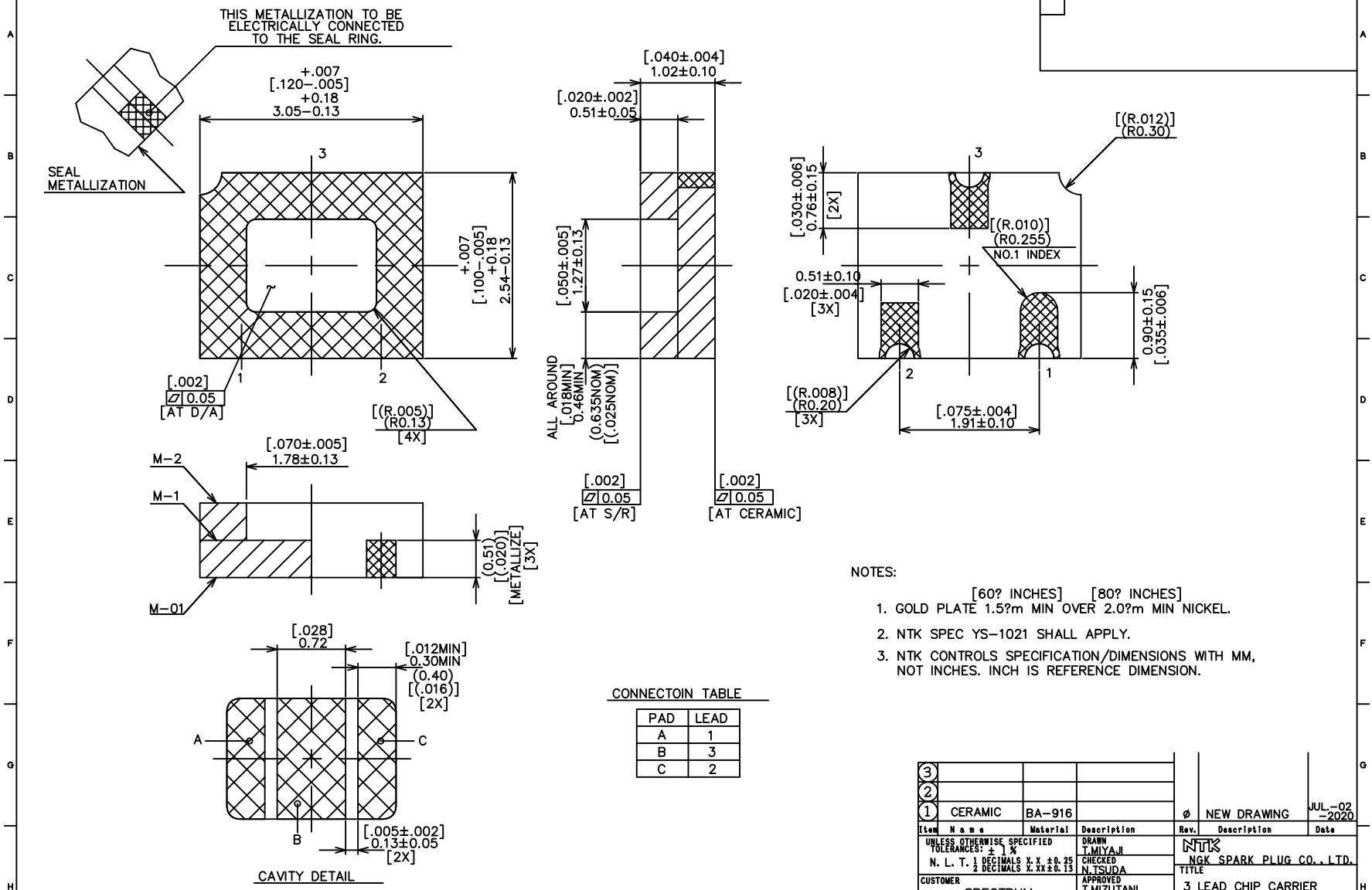




LATEST REVISION S DESCRIPTION



- NOTES:
- [60? INCHES] [80? INCHES]
  - GOLD PLATE 1.5?m MIN OVER 2.0?m MIN NICKEL.
  - NTK SPEC YS-1021 SHALL APPLY.
  - NTK CONTROLS SPECIFICATION/DIMENSIONS WITH MM, NOT INCHES. INCH IS REFERENCE DIMENSION.

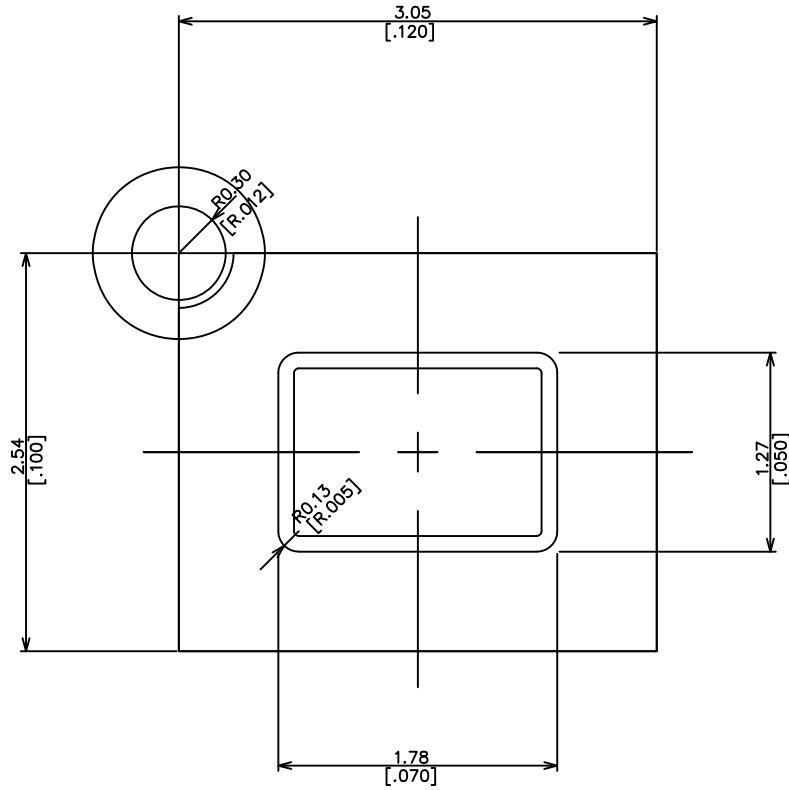
③					
②					
①	CERAMIC	BA-916		NEW DRAWING	JUL-02-2020
Item	Name	Material	Description	Rev.	Description Date
UNLESS OTHERWISE SPECIFIED TOLERANCES: ± 1 %			DRAWN	T.MIYAJI	NTK
N. L. T. 1 DECIMALS X, Y, ± 0.25			CHECKED	N.TSUDA	NGK SPARK PLUG CO., LTD.
2 DECIMALS X, XX ± 0.13			APPROVED	T.MIZUTANI	TITLE
CUSTOMER	SPECTRUM		UNIT	MM[INCH]	3 LEAD CHIP CARRIER
DWG NO.			SCALE		DWG NO.
					IRK03F1-7995H

PART NO. SHEET 1 OF 1



**NTK**

9	10	11
LATEST REVISION S		DESCRIPTION



BEFORE CAVITY PUNCHING

MODIFIED  
DWG NO.

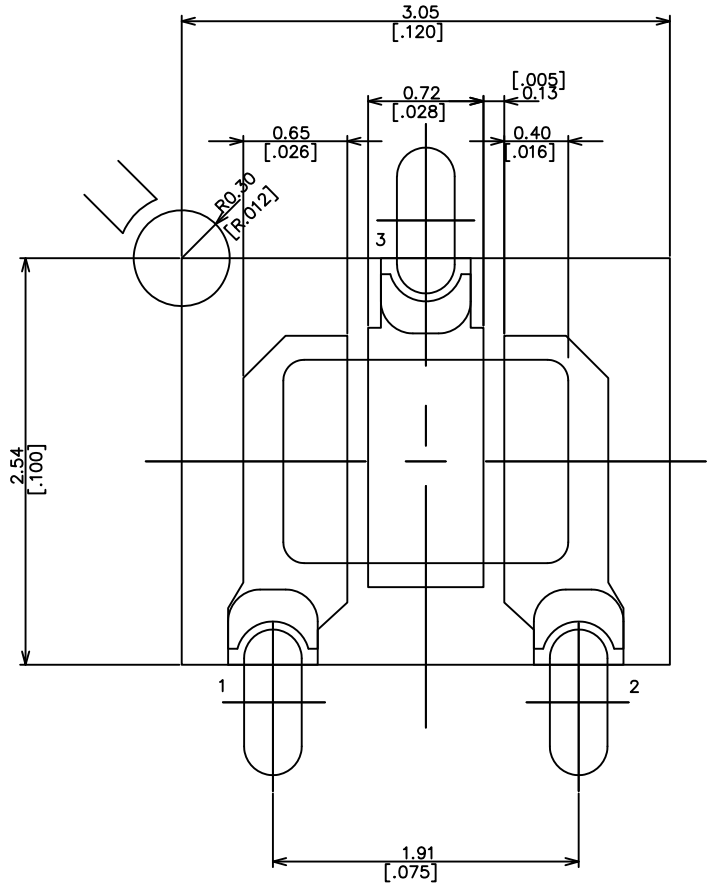
DESCRIPTION	DRAWN T.MIYA.JI	Rev.	NEW DRAWING	Date	JUL-02-2020
FILE NAME pr7995h-e	CHECKED N.ISUDA	NTK NGK SPARK PLUG CO., LTD.			
CUSTOMER SPECTRUM	APPROVED T.MIZUTANI	TITLE S/R PATTERN			
DWG NO.	UNIT MM [INCH]	SCALE	DWG NO.	P-IRK-8391A-2	

PART NO. SHEET OF





9	10	11
LATEST REVISION S		DESCRIPTION



MODIFIED DWG NO. \_\_\_\_\_

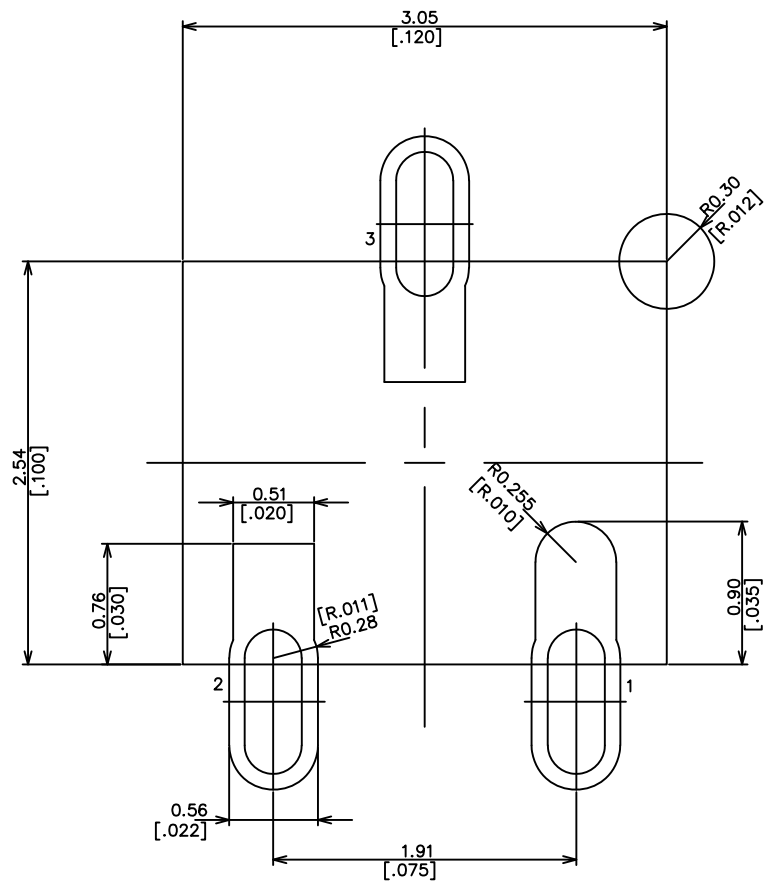
DESCRIPTION	DRAWN	T.MIYAJI	NEW DRAWING	JUL-02
FILE NAME	CHECKED	N.TSUDA	Rev.	Description
CUSTOMER	APPROVED	T.MIZUTANI	Date	
DWG NO.	UNIT	MM [INCH]	NTK NGK SPARK PLUG CO., LTD.	
	SCALE	/	TITLE	
			D/A PATTERN	
			DWG NO.	
			P-IRK-7995E-1	

PART NO. \_\_\_\_\_ SHEET OF \_\_\_\_\_



**NTK**

9	10	11
LATEST REVISION S		DESCRIPTION



MODIFIED	
DWG NO.	

DESCRIPTION	DRAWN	Rev.	NEW DRAWING	JUL-02
FILE NAME	T. MIYAJI	Description		-2020
CUSTOMER	CHECKED	NTK		
DWG NO.	N. TSUDA	NGK SPARK PLUG CO., LTD.		
	APPROVED	TITLE		
	T. MIZUTANI	M-01 PATTERN		
	UNIT	DWG NO.		
	MM [INCH]	P-IRK-7995H-01		
	SCALE			

PART NO. SHEET OF

