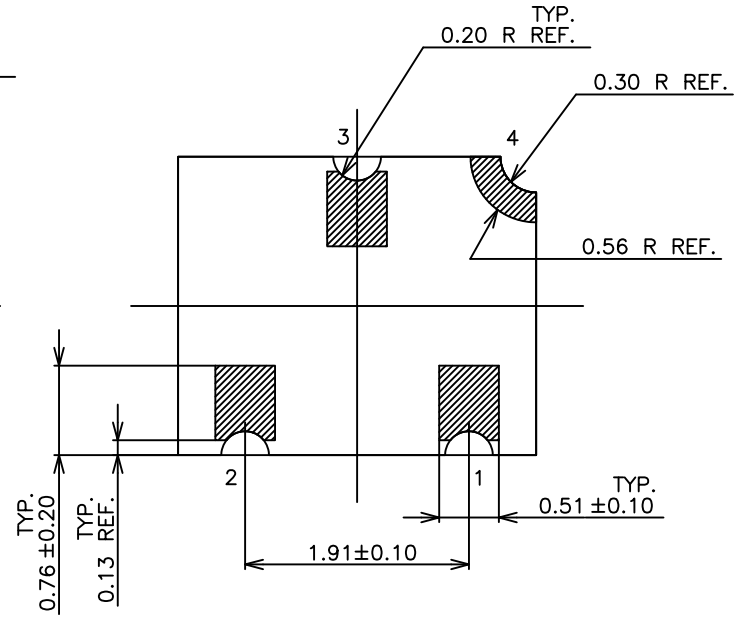
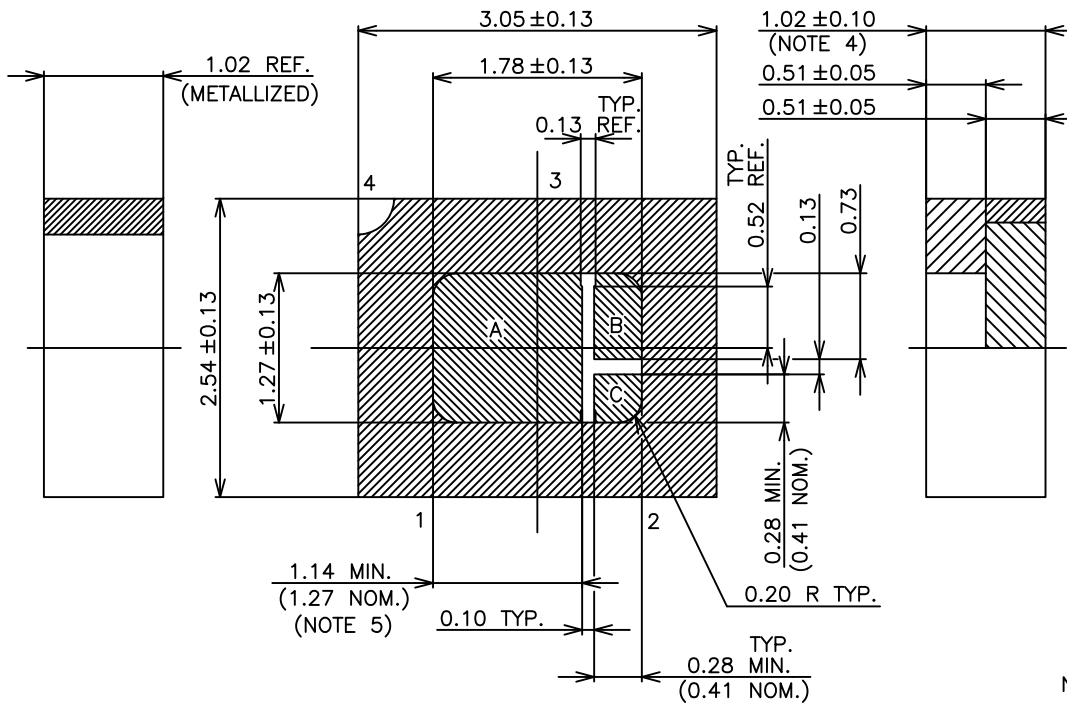
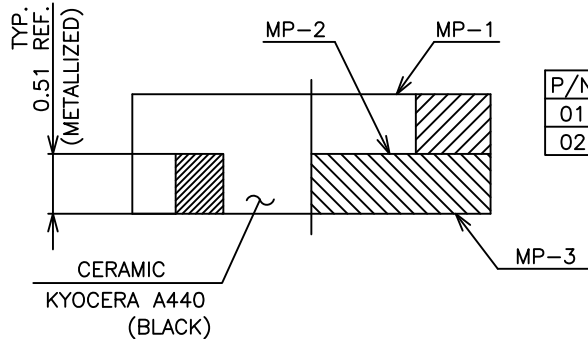


**CONFIDENTIAL**



NOTES:

1. PLATING THICKNESS  
ELECTRO Ni : 2.00µm MIN.(S/P)  
ELECTRO Au : 1.50µm MIN.(S/P)
2. CAMBER : 50µm MAX.(SINGLE PART TYPE)  
340µm MAX.(ARRAY TYPE)
3. CONNECTION  
(A-3),(B-2),(C-1),(4-S/R)
4. INCLUDING METALLIZATION AND EXCLUDING CAMBER.
5. CHECK TO BE DONE BY SAMPLING. (LTPD 1% PER TAPE LOT)
6. ELECTRICAL OPEN AND SHORT CHECK SHALL NOT BE REQUIRED AS LTPD 0.1% PER TAPE LOT IN SINGLE UNIT.
7. HERMETICITY TEST SHALL BE DONE BY SAMPLING AS LTPD 0.1% PER TAPE LOT IN SINGLE UNIT.

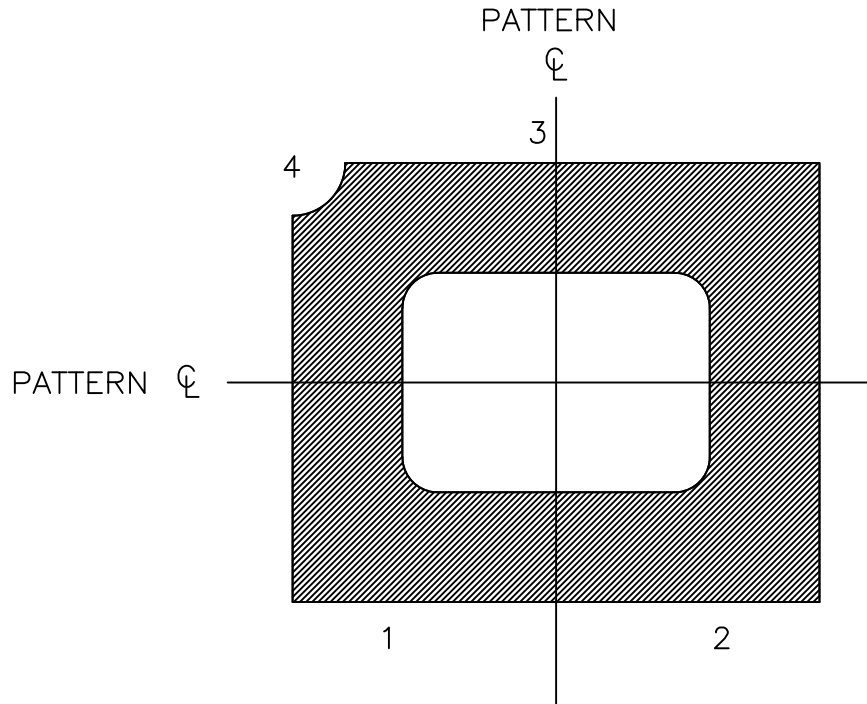


P/N	SHIPPING TYPE
01	SINGLE PART TYPE
02	ARRAY TYPE

MODIFICATION							APPROVALS				SCALE 25/1	PART NO.				
	REV.	HISTORY	DATE	DRAWN	CHECKED	CHECKED	APPROVED	DRAWN	CHECKED	CHECKED	APPROVED	TOLERANCE UNLESS OTHERWISE SPECIFIED ±0.20 THIRD ANGLE PROJECTION MATERIAL AS INDICATED	NAME	DRAWING NO.	REV.	SHEET
-	FIRST REVISION.		'17.09.21	Y.MA	K.I	Y.I	H.U					3 PIN LCC	VBE03BFH99-*			1/5
	HISTORY											AS INDICATED	KD-VB7H99	-		

A3(297X420)

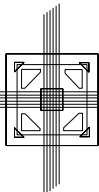




MP-1

MODIFICATION									APPROVALS				SCALE 40/1	PART NO. _____	
									DRAWN	CHECKED	CHECKED	APPROVED	TOLERANCE UNLESS OTHERWISE SPECIFIED	NAME 3 PIN LCC	
									'17.09.21				THIRD ANGLE PROJECTION		
									Y.MA				MATERIAL	DRAWING NO. KD-VB7H99	
	—	FIRST REVISION.	'17.09.21	Y.MA	K.I	Y.I	H.U			KYOCERA CORPORATION KYOTO JAPAN			DRAWING NO. KD-VB7H99	REV. -	SHEET 3/5
	REV.	HISTORY	DATE	DRAWN	CHECKED	CHECKED	APPROVED								

A3(297X420)



**SPECTRUM**  
SEMICONDUCTOR MATERIALS, INC.

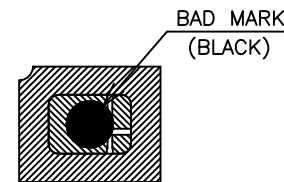
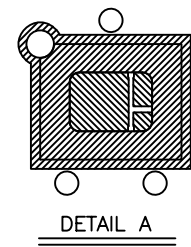
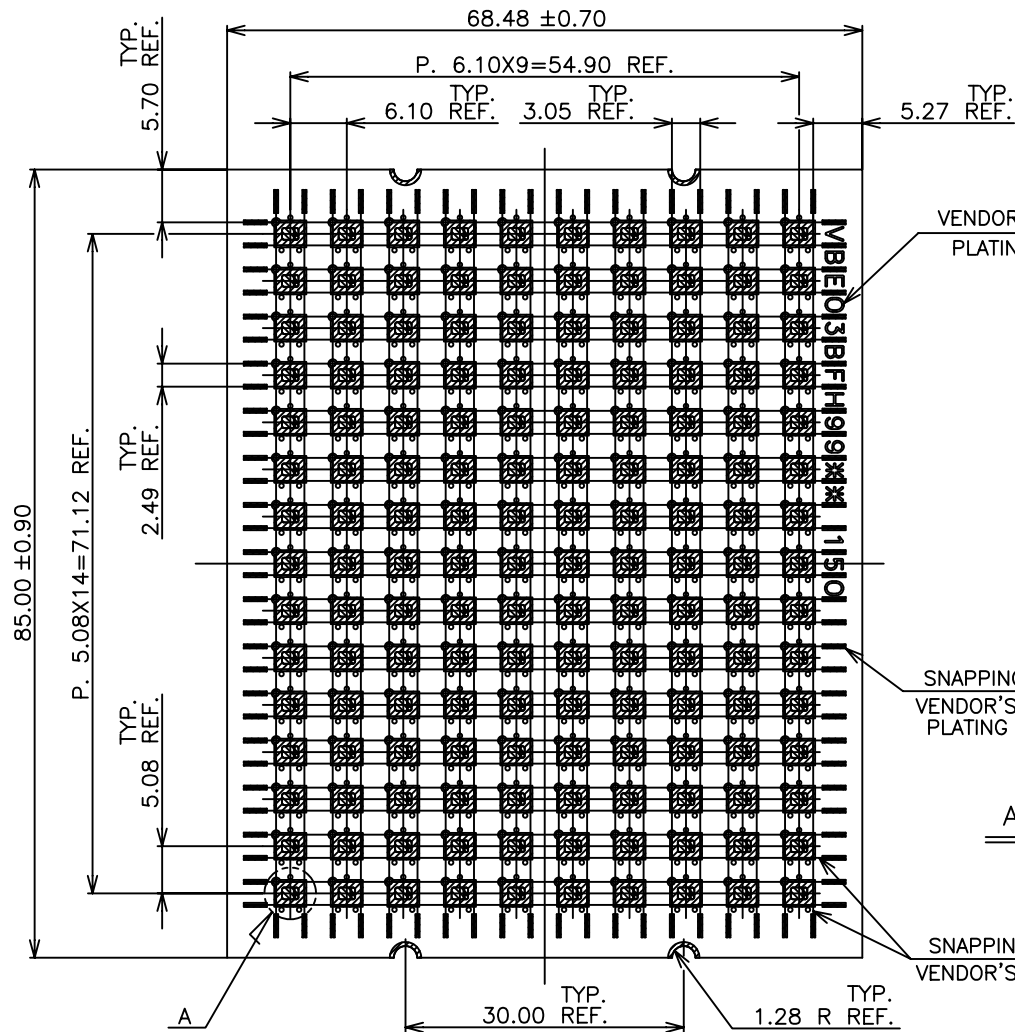


FIGURE 1  
(NOTE 9)

VENDOR'S OPTION  
PLATING OPTION

SNAPPING MARK  
VENDOR'S OPTION  
PLATING OPTION

ARRAY SHEET(150 CHIPS)

NOTES:

- 8. 30 DEFECT PARTS MAX./SHEET.
- 9. BAD MARK : SEE FIGURE 1.  
MARKING SIZE SHALL BE KC OPTION.  
(ARRAY TYPE ONLY)

MODIFICATION							APPROVALS				SCALE 2/1	PART NO.			
							DRAWN	CHECKED	CHECKED	APPROVED	TOLERANCE UNLESS OTHERWISE SPECIFIED	NAME			
							'17.09.21				THIRD ANGLE PROJECTION	3 PIN LCC			
	FIRST REVISION.		'17.09.21	Y.MA	K.I	Y.I	H.U	KYOCERA CORPORATION KYOTO JAPAN				MATERIAL	DRAWING NO.	REV.	SHEET
REV.	HISTORY	DATE	DRAWN	CHECKED	CHECKED	APPROVED						KD-VB7H99	-	2/5	

A3(297X420)

