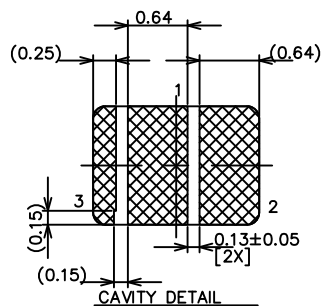
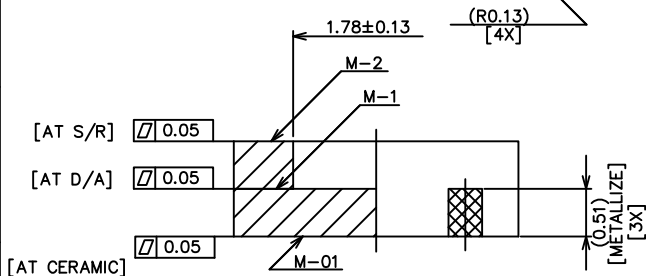
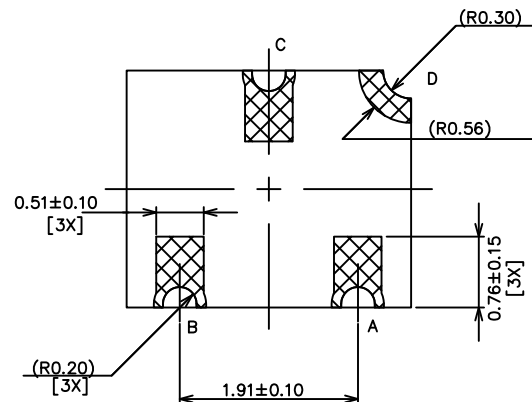
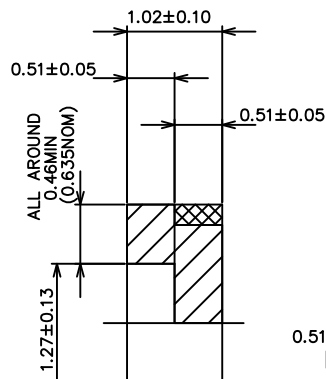
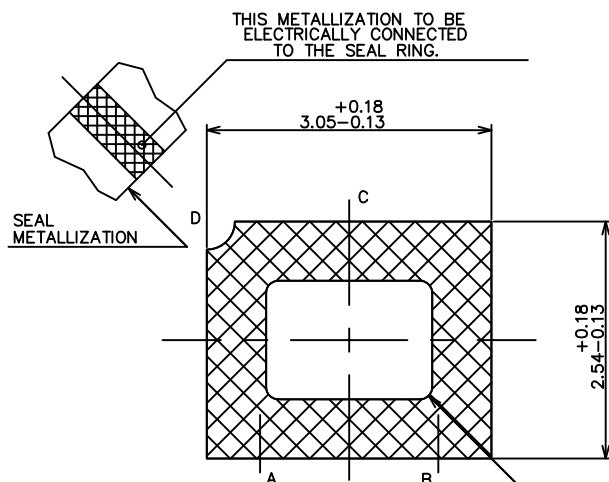


NTK

LATEST REVISION'S DESCRIPTION



*IT SHALL BE ALLOWED WITH OR WITHOUT METALLIZATION AT THE EDGE OF CAVITY.(M-1 PATTERN)

NOTES:

1. GOLD PLATE 1.5µm MIN OVER 2.0µm MIN NICKEL.
2. NTK SPEC YS-1021 SHALL APPLY.
3. TOLERANCE TO BE NOT LESS THAN ±0.13 UNLESS OTHERWISE SPECIFIED OF DRAWING.

CONNECTIOIN TABLE

LEAD	PAD
A	3
B	2
C	1
D	S/R

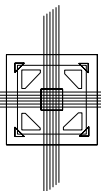
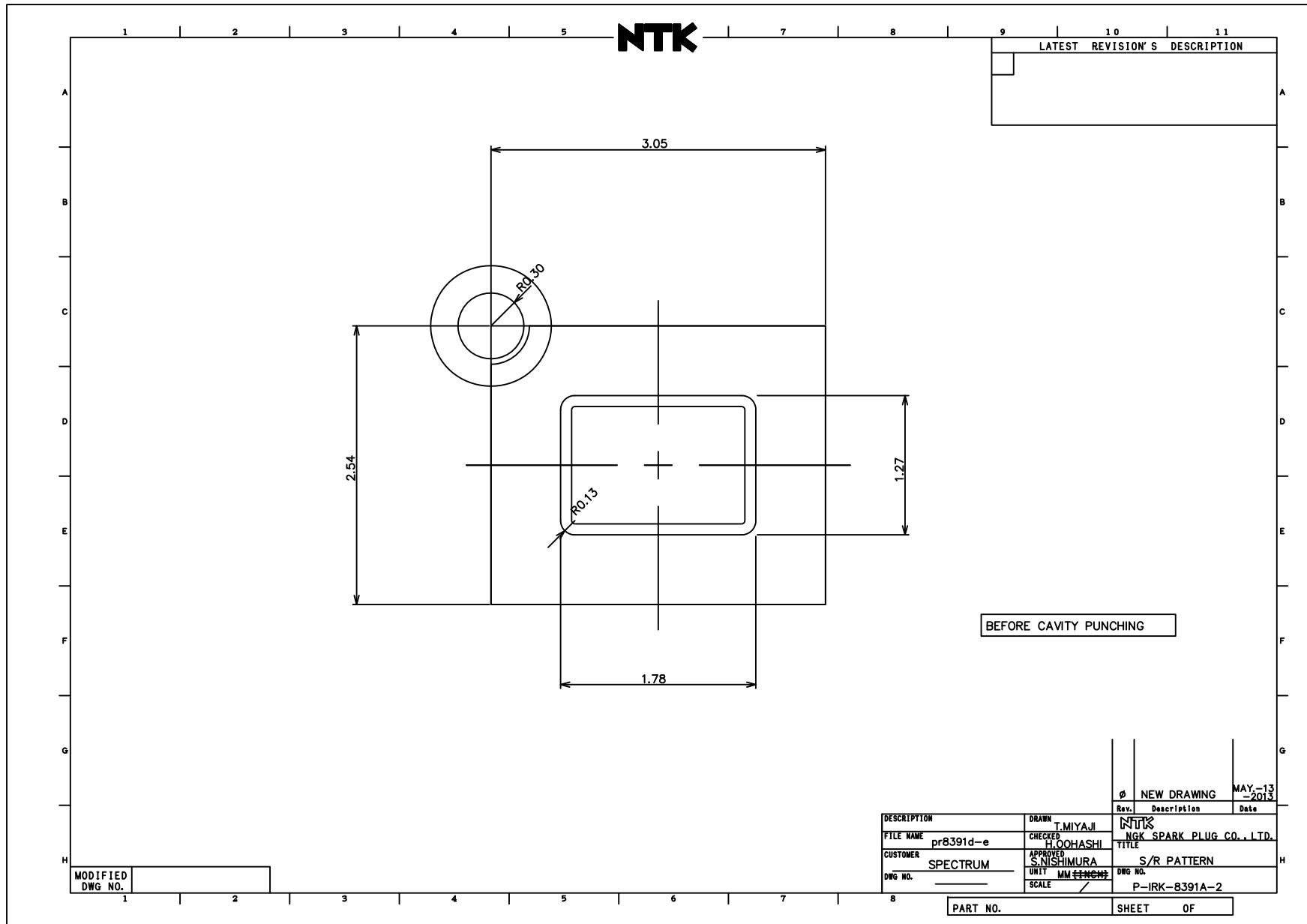
3					
2					
1	CERAMIC	BA-916		NEW DRAWING	MAY-13-2013
Item	Name	Material	Description	Rev.	Date
UNLESS OTHERWISE SPECIFIED					
TOLERANCES: ±0.13			DRAWN	NTK	
N-T: 1 DECIMALS ±0.05			CHECKED	T.MIYAJI	
3 DECIMALS ±0.13				H.OHASHI	
CUSTOMER			APPROVED	S.NISHIMURA	
SPECTRUM			UNIT	MM	
DWG NO.			SCALE	/	
				DWG NO.	
				IRK03F1-8391D	

MODIFIED	
DWG NO.	

PART NO. SHEET 1 OF 1



SSM P/N: LCC00317



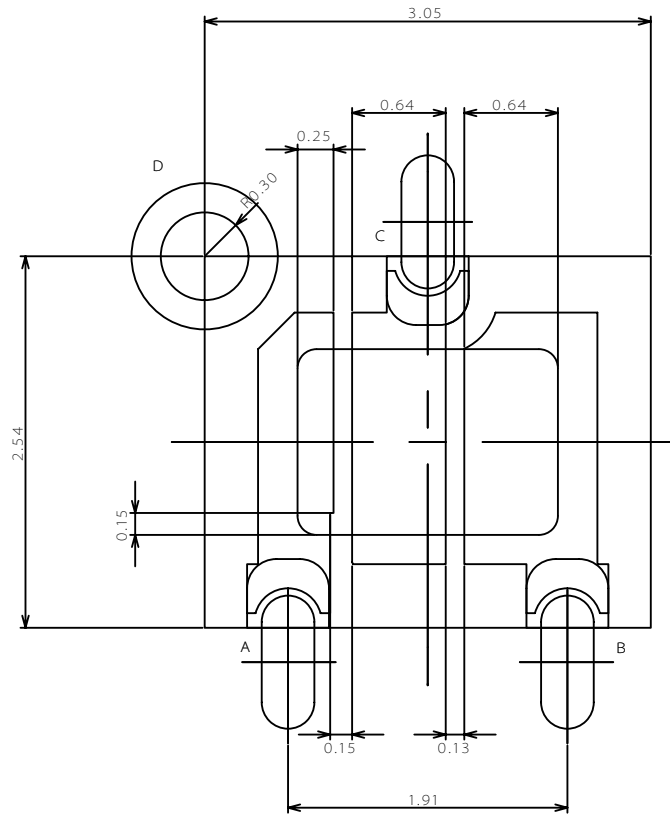
SPECTRUM
SEMICONDUCTOR MATERIALS, INC.

www.spectrum-semi.com Ph: (408) 435-5555 Fx: (408) 435-8226

SSM P/N: LCC00317

NTK

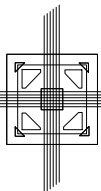
LATEST REVISION S DESCRIPTION



MODIFIED DWG NO.

DESCRIPTION	DRAWN	T. MIYAJI	NEW DRAWING	MAY - 13
FILE NAME	CHECKED	H. OOHASHI	Rev.	Description
CUSTOMER	APPROVED	S. NISHIMURA	Date	
DWG NO.	UNIT	MM	TITLE	
	SCALE	1:1	D/A PATTERN	
			DWG NO.	
			P-IRK-8391D-1	

PART NO. SHEET OF



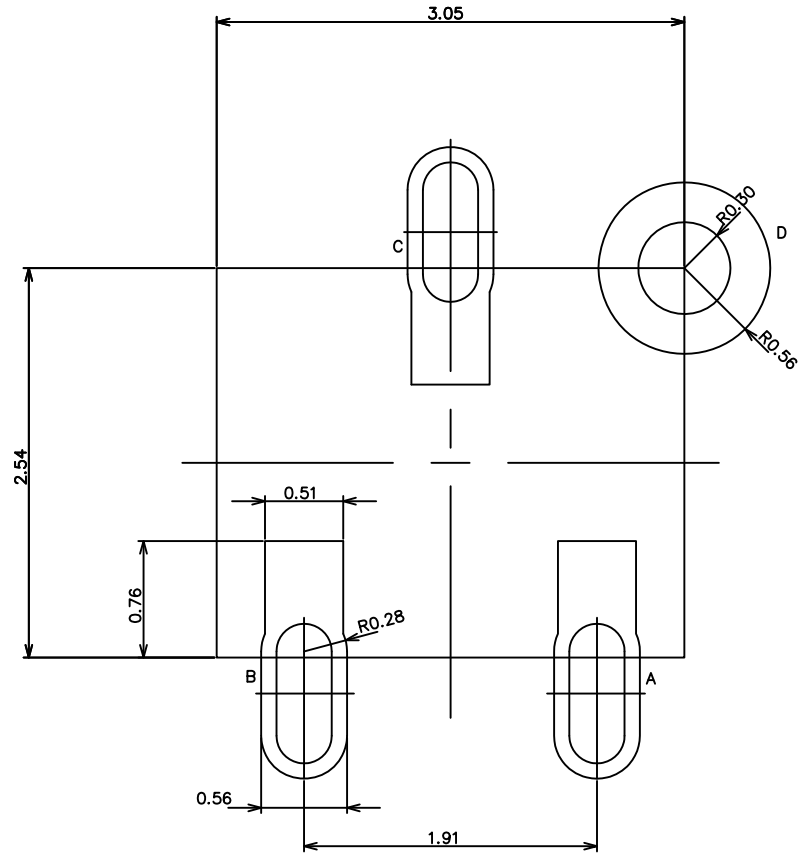
SPECTRUM
SEMICONDUCTOR MATERIALS, INC.

www.spectrum-semi.com Ph: (408) 435-5555 Fx: (408) 435-8226

SSM P/N: LCC00317

NTK

LATEST REVISION S DESCRIPTION



MODIFIED
DWG NO.

DESCRIPTION	DRAWN	T.MIYAJI	NEW DRAWING	MAY-13-2013
FILE NAME	CHECKED	H.OHASHI	NTK	
CUSTOMER	APPROVED	S.NISHIMURA	NGK SPARK PLUG CO., LTD.	
DWG NO.	UNIT	MM	M-01 PATTERN	
	SCALE	1:1	P-IRK-8391A-01	

PART NO. SHEET OF



www.spectrum-semi.com Ph: (408) 435-5555 Fx: (408) 435-8226