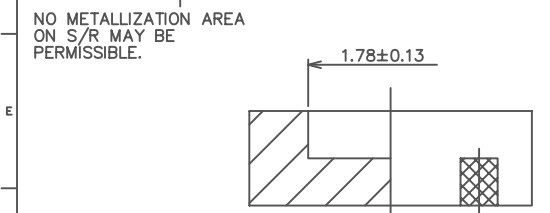
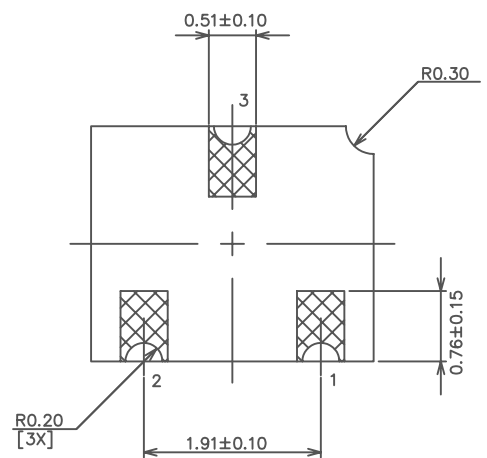
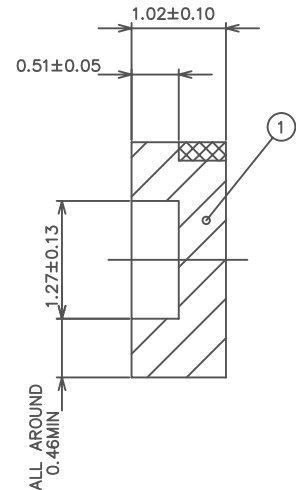
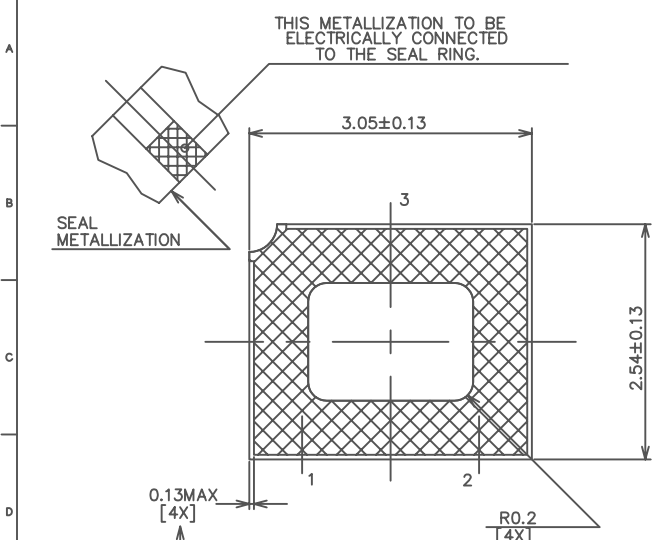


# SSM P/N LCC00305

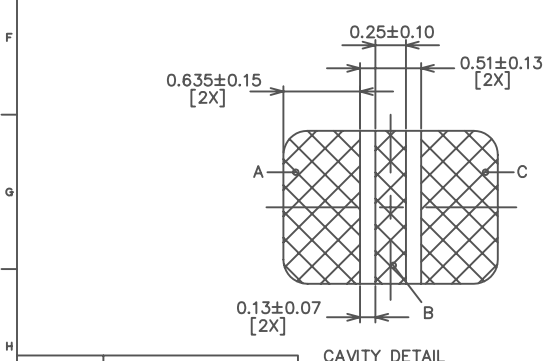
NTK

LATEST REVISION S DESCRIPTION	
Ø	MOD. FROM IRK03F1-5070L MOD. D/A PATTERN.



CONNECTIOIN TABLE

PAD	LEAD
A	1
B	3
C	2



MODIFIED DWG NO. \_\_\_\_\_

CAVITY DETAIL

3					
2					
1	CERAMIC	BLACK ALUMINA		Ø	NEW DRAWING
UNLESS OTHERWISE SPECIFIED TOLERANCES: ± 1%		DRAWN T.miwg		SEP-16-2003	
N. L. T. 2 DECIMALS . XX ± 0.25		CHECKED S.Nishimura		NTK	
3 DECIMALS . XXX ± 0.13		APPROVED S.MAEHARA		NGK SPARK PLUG CO., LTD.	
CUSTOMER SPECTRUM		UNIT MM		TITLE 3 LEAD CHIP CARRIER	
DWG NO. _____		SCALE /		DWG NO. IRK03F1-5070M-NB	

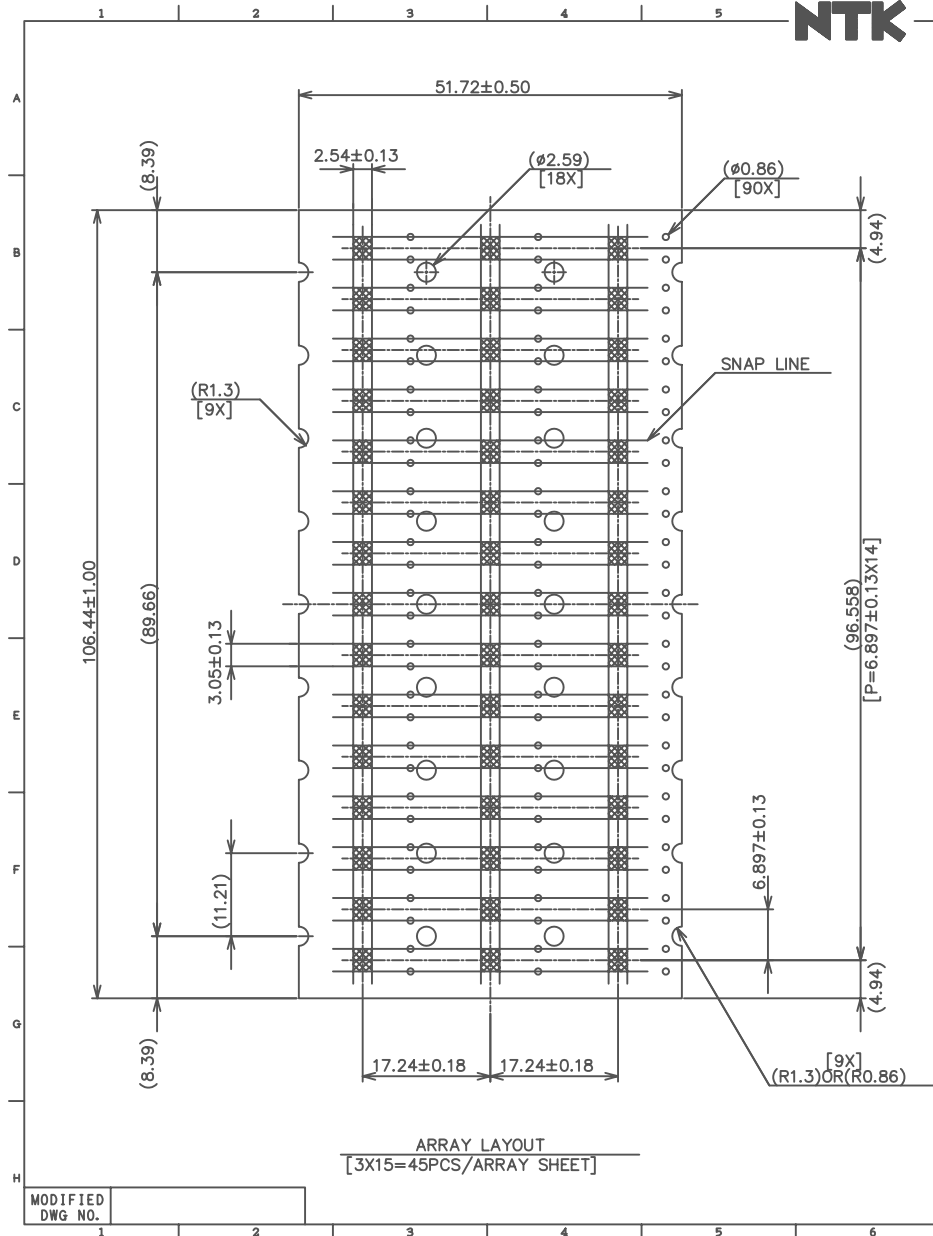
PART NO. \_\_\_\_\_ SHEET 1 OF 2



# SSM P/N LCC00305

**NTK**

10	11
LATEST REVISION S	DESCRIPTION



**NOTES:**

1. GOLD PLATE 1.5?m MIN OVER 2.0?m MIN NICKEL.
2. LEAK TEST AND ELECTRICAL TEST ARE NOT PERFORMED SINCE IT IS IMPOSSIBLE TO MAKE IN ARRAY FORM.
3. 5PCS MAX OF DEFECT PARTS SHALL BE ALLOWED IN ARRAY SHEET. DEFECT PARTS SHALL BE MARKED ON D/A.
4. ARRAY FORM FLATNESS SHALL BE 0.102mm/25.4mm MAX.

MODIFIED  
DWG NO.

UNLESS OTHERWISE SPECIFIED  
TOLERANCES: ± 1 %  
N. L. T. 2 DECIMALS . XX ± 0.25  
3 DECIMALS . XXX ± 0.13

DRAWN  
T. miwa  
CHECKED  
S. Nishimura  
APPROVED  
S. Mehara  
UNIT  
MM  
SCALE  
/

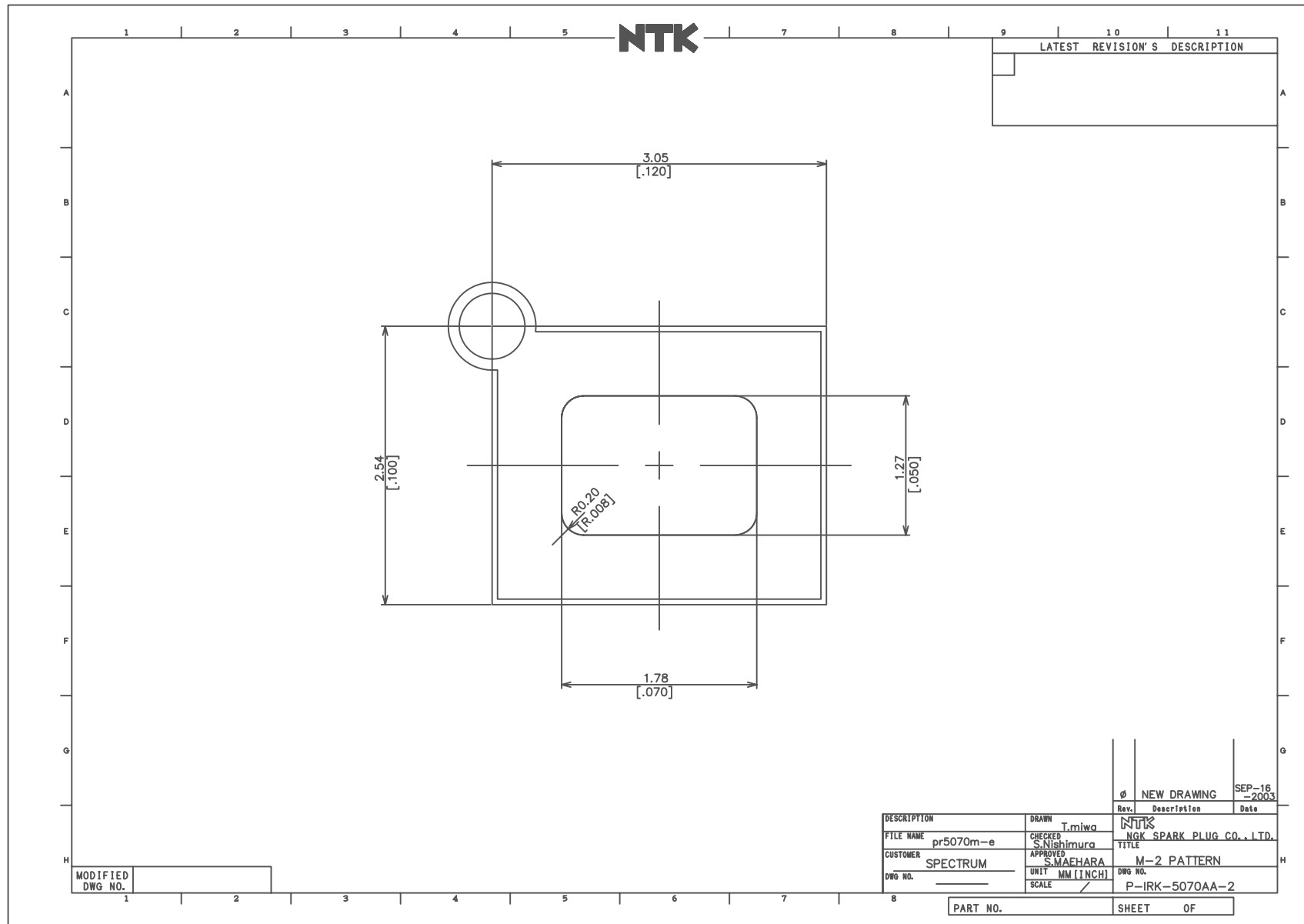
Rev.	Description	Date
0	NEW DRAWING	SEP-16-2003

NTK  
NGK SPARK PLUG CO., LTD.  
TITLE  
ARRAY LAYOUT  
DWG NO.  
IRK03F1-5070M-NB

PART NO. SHEET 2 OF 2



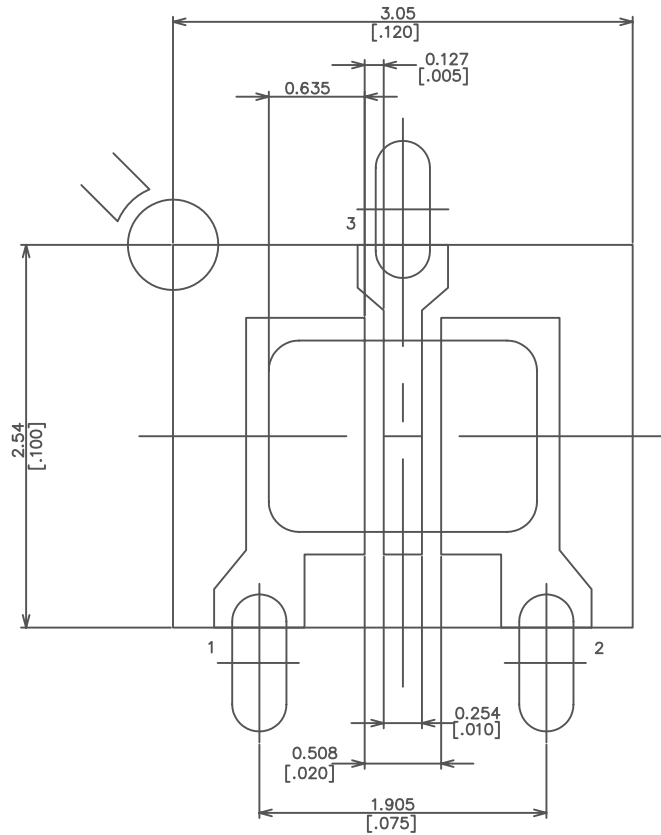
# SSM P/N LCC00305



# SSM P/N LCC00305

**NTK**

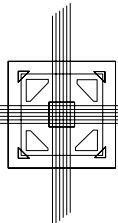
LATEST	REVISION'S	DESCRIPTION



MODIFIED  
DWG NO.

DESCRIPTION	DRAWN T.miwa	Rev.	NEW DRAWING	SEP-16 -2003
FILE NAME pr5070m-e	CHECKED S.Nishimura	Description NTK NGK SPARK PLUG CO., LTD.		
CUSTOMER SPECTRUM	APPROVED S.MAEHARA	Date		
DWG NO.	UNIT MM (INCH)	TITLE M-1 PATTERN		
	SCALE	DWG NO. P-IRK-5070M-1		

PART NO. SHEET OF



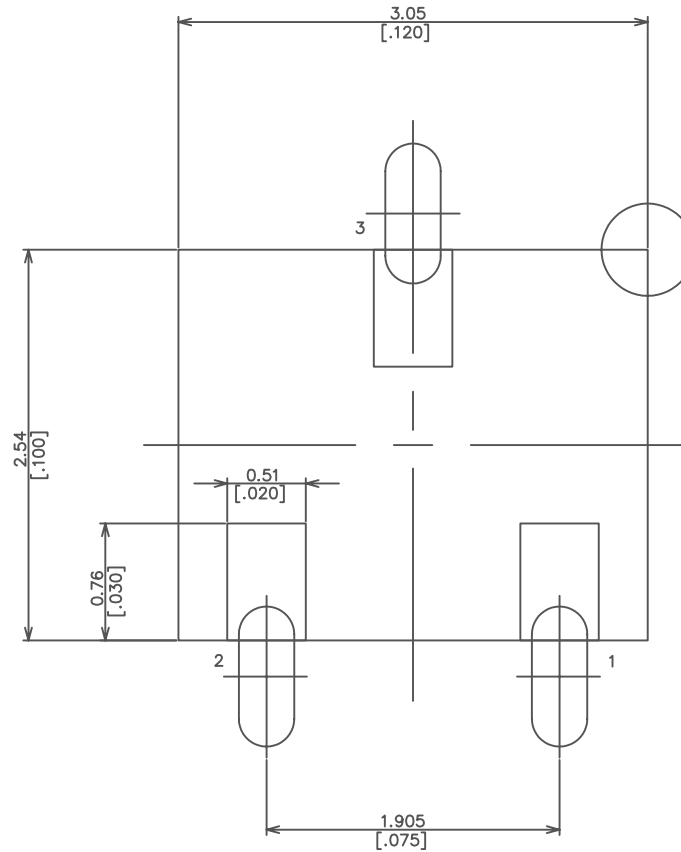
**SPECTRUM**  
SEMICONDUCTOR MATERIALS, INC.

www.spectrum-semi.com Phone: 408-435-5555 Fax: 408-435-8226

# SSM P/N LCC00305

**NTK**

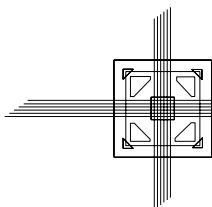
9	10	11
LATEST REVISION'S		DESCRIPTION



MODIFIED DWG NO.	
------------------	--

DESCRIPTION	DRAWN	NEW DRAWING	
		Rev.	Date
FILE NAME pr5070m-e	T.miwg	NTK	SEP-16-2003
CHECKED S.Nishimura	S.Nishimura	NGK SPARK PLUG CO., LTD.	
CUSTOMER SPECTRUM	APPROVED S.MAFHARA	TITLE M-01 PATTERN	
DWG NO.	UNIT MM (INCH)	DWG NO. P-IRK-5070A-01	
	SCALE		

PART NO. \_\_\_\_\_ SHEET OF \_\_\_\_\_



**SPECTRUM**  
SEMICONDUCTOR MATERIALS, INC.

www.spectrum-semi.com Phone: 408-435-5555 Fax: 408-435-8226

