

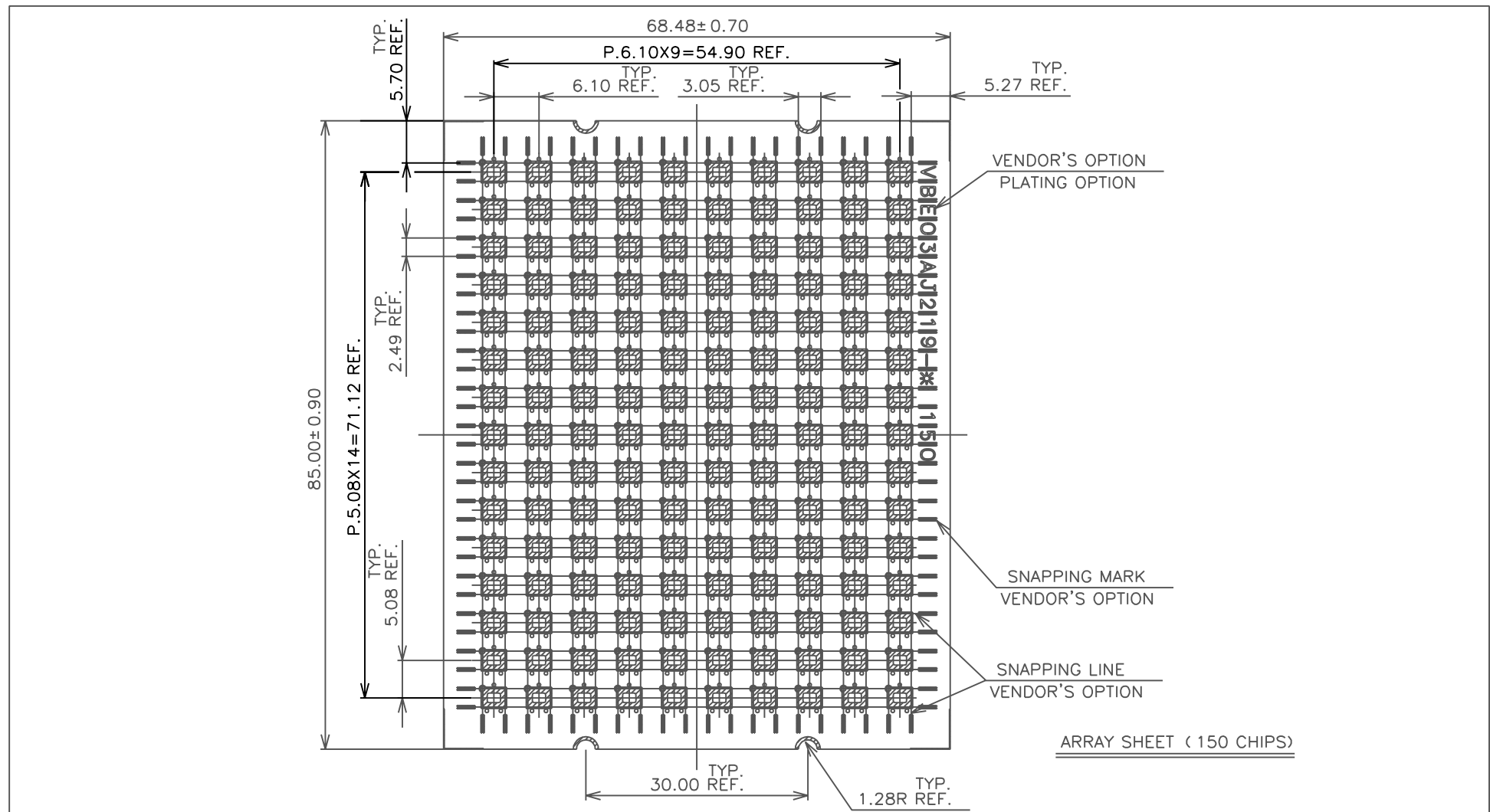
- NOTE:
1. GOLD PLATE 1.5µm MIN. OVER  
2.0µm MIN. NICKEL.  
(EXCEPT CASTELLATION)
  2. CONNECTION  
( 1-A ), ( 2-C ), ( 3-B ), ( S/R-D )
  3. CAMBER: 0.05mm MAXIMUM. ( SINGLE PART TYPE )  
0.34mm MAXIMUM. ( ARRAY TYPE )
  4. 30 DEFECT PARTS MAXIMUM/SHEET

	SHIPPING TYPE
01	SINGLE PART TYPE
02	ARRAY TYPE

VBE03AJ219-\*

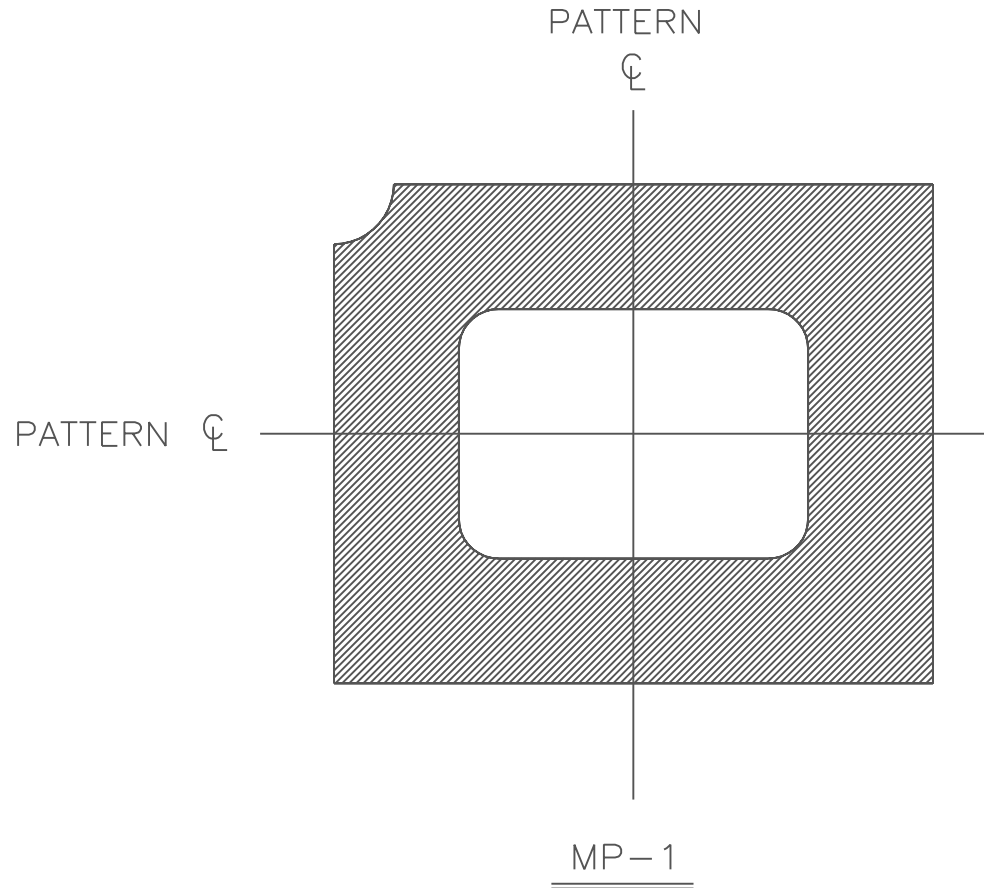
MODIFICATION						NAME	TOLERANCE	DRAWN	CHECKED	APPROVED	DATE
						3 PIN LCC	UNLESS OTHERWISE SPECIFIED	K.I	K.N/W.M	M.M	FEB.23.'00
						SCALE 20/1	MATERIAL AS INDICATED	±0.20			
							THIRD ANGLE PROJECTION				
	CHANGED	DATE	DRAWN	CHECKED	APPROVED		KYOCERA CORPORATION KYOTO JAPAN	DRAWING NO.	SHEET		
								KD-VA0219	1/5		





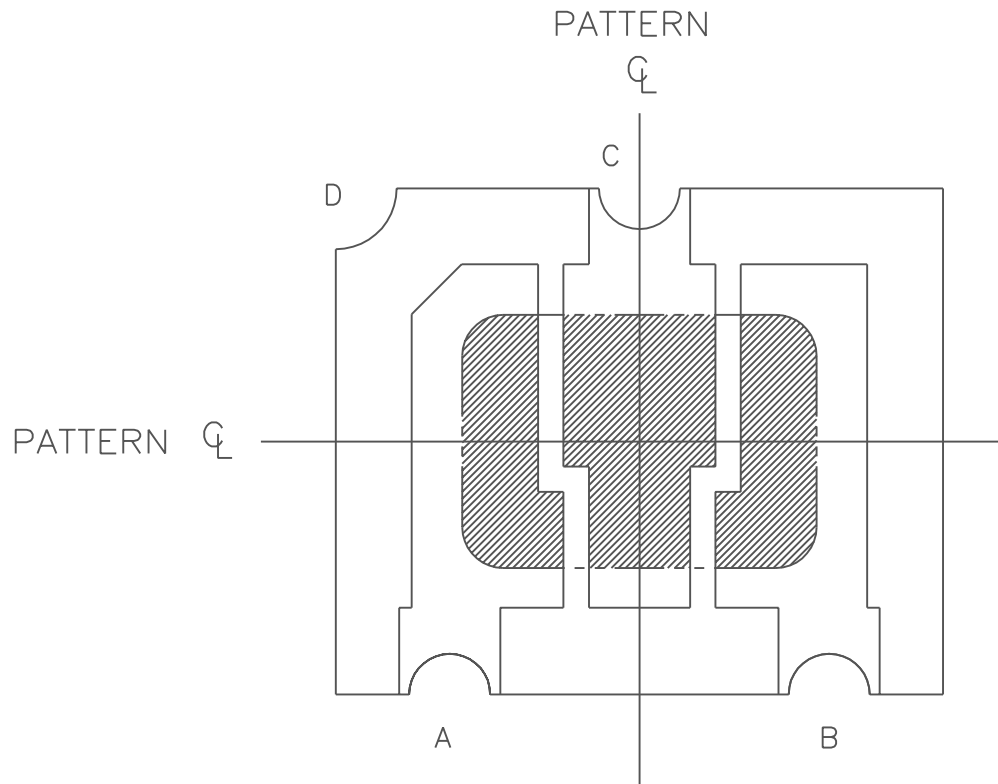
MODIFICATION						NAME	3 PIN LCC	TOLERANCE	DRAWN	CHECKED	APPROVED	DATE
						SCALE	2 / 1	UNLESS OTHERWISE SPECIFIED	K.I	K.N/M.M	K.M	FEB.23.'00
						MATERIAL		THIRD ANGLE PROJECTION				
	CHANGED	DATE	DRAWN	CHECKED	APPROVED		KYOCERA CORPORATION KYOTO JAPAN	DRAWING NO.	KD-VA0219		SHEET	2 / 5





MODIFICATION						NAME	3 PIN LCC	TOLERANCE UNLESS OTHERWISE SPECIFIED	DRAWN	CHECKED	APPROVED	DATE
						SCALE	40 / 1	MATERIAL				FEB.23.'00
								THIRD ANGLE PROJECTION				
	CHANGED	DATE	DRAWN	CHECKED	APPROVED		KYOCERA CORPORATION KYOTO JAPAN	DRAWING NO.	KD-VA0219		SHEET	3 / 5

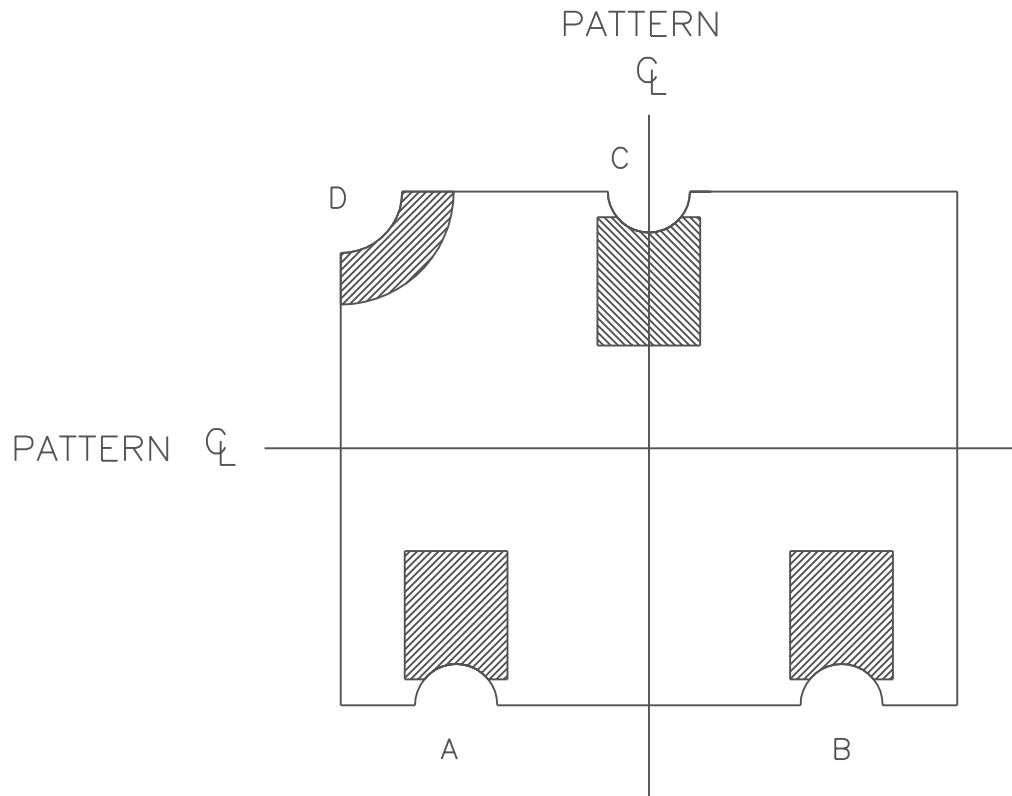




MP-2

MODIFICATION						NAME	TOLERANCE	DRAWN	CHECKED	APPROVED	DATE
						3 PIN LCC	UNLESS OTHERWISE SPECIFIED	K.I	K.N/W.M	M.M	FEB.23.'00
						SCALE 40 / 1	MATERIAL				
							THIRD ANGLE PROJECTION				
	CHANGED	DATE	DRAWN	CHECKED	APPROVED	KYOCERA	KYOCERA CORPORATION KYOTO JAPAN	DRAWING NO.		SHEET	
								KD-VA0219		4 / 5	





MP-3  
(TOP VIEW)

MODIFICATION					NAME	TOLERANCE	DRAWN	CHECKED	APPROVED	DATE
					3 PIN LCC	UNLESS OTHERWISE SPECIFIED	K.I	K.N/W.M	M.M	FEB.23.'00
					SCALE 40 / 1	MATERIAL				
							THIRD ANGLE PROJECTION			
	CHANGED	DATE	DRAWN	CHECKED	APPROVED	KYOCERA CORPORATION KYOTO JAPAN	DRAWING NO.		SHEET	
							KD-VA0219		5 / 5	



