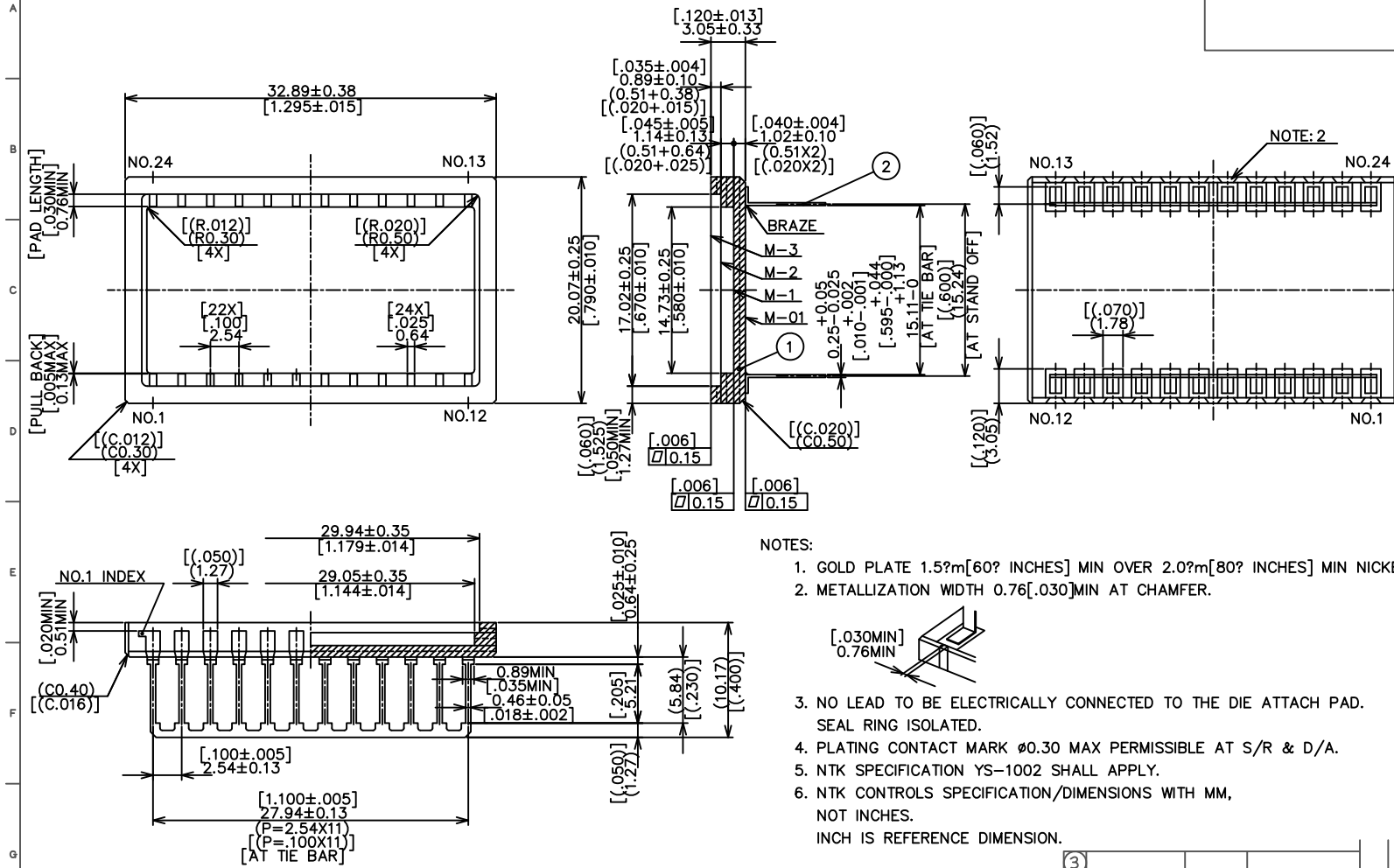




LATEST REVISION'S DESCRIPTION



NOTES:

1. GOLD PLATE 1.5 μ m[60 μ INCHES] MIN OVER 2.0 μ m[80 μ INCHES] MIN NICKEL.
2. METALLIZATION WIDTH 0.76[.030]MIN AT CHAMFER.



3. NO LEAD TO BE ELECTRICALLY CONNECTED TO THE DIE ATTACH PAD. SEAL RING ISOLATED.
4. PLATING CONTACT MARK $\phi 0.30$ MAX PERMISSIBLE AT S/R & D/A.
5. NTK SPECIFICATION YS-1002 SHALL APPLY.
6. NTK CONTROLS SPECIFICATION/DIMENSIONS WITH MM, NOT INCHES. INCH IS REFERENCE DIMENSION.

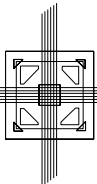
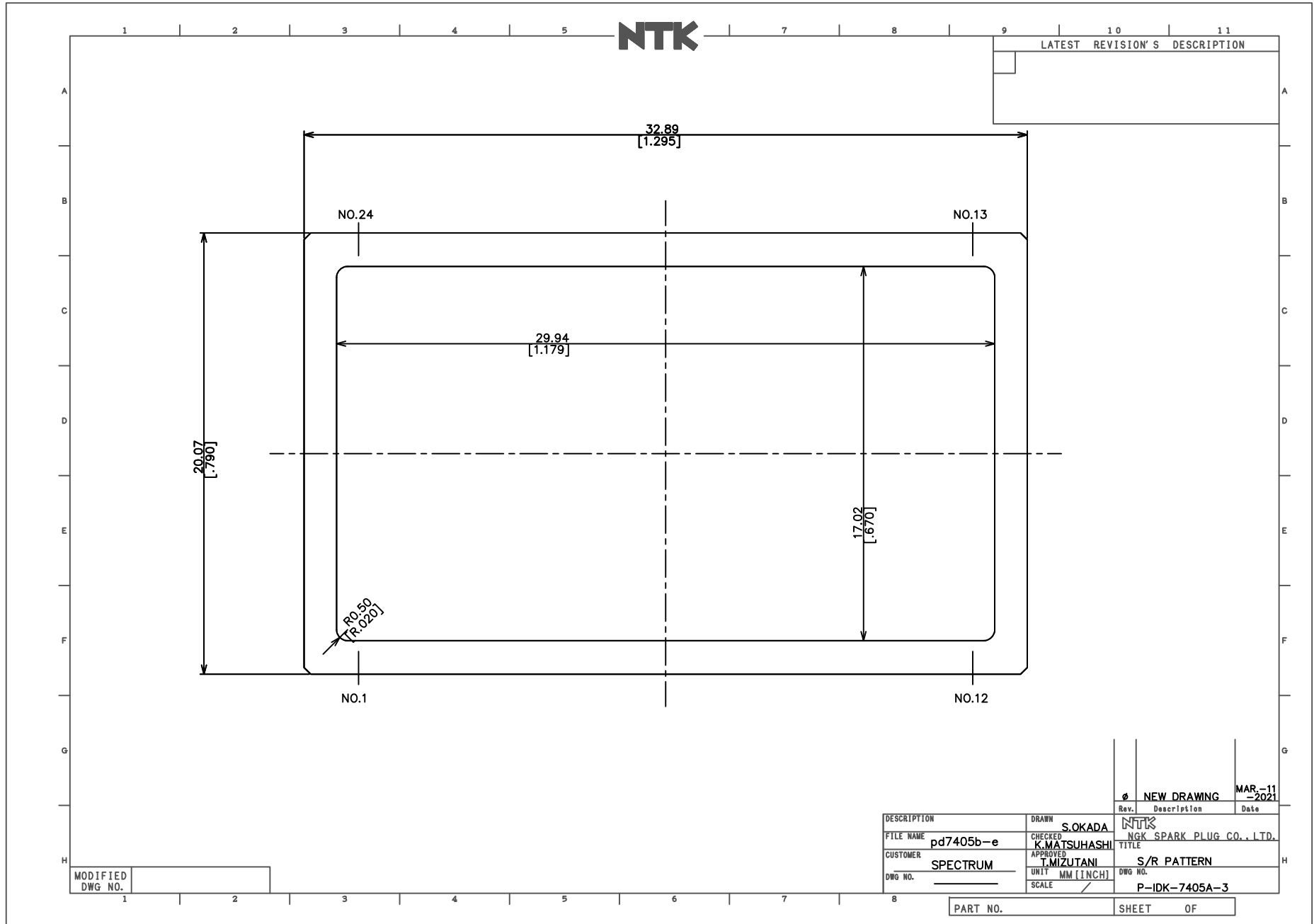
③					
②	LEAD	ALLOY42			
①	CERAMIC	BA-914			
Item	Name	Material	Description	Rev.	Date
UNLESS OTHERWISE SPECIFIED					
DRAWN		S. OKADA		NTK	
N. L. T. 1 DECIMALS X.X ± 0.25		CHECKED		K. MATSUHASHI	
2 DECIMALS X.XX ± 0.13		APPROVED		T. MIZUTANI	
CUSTOMER		SPECTRUM		24 LEAD HYBRID PKG	
DWG NO.		UNIT		MM[INCH]	
		SCALE		IDK24F1-7405B	

MODIFIED
DWG NO.

PART NO.

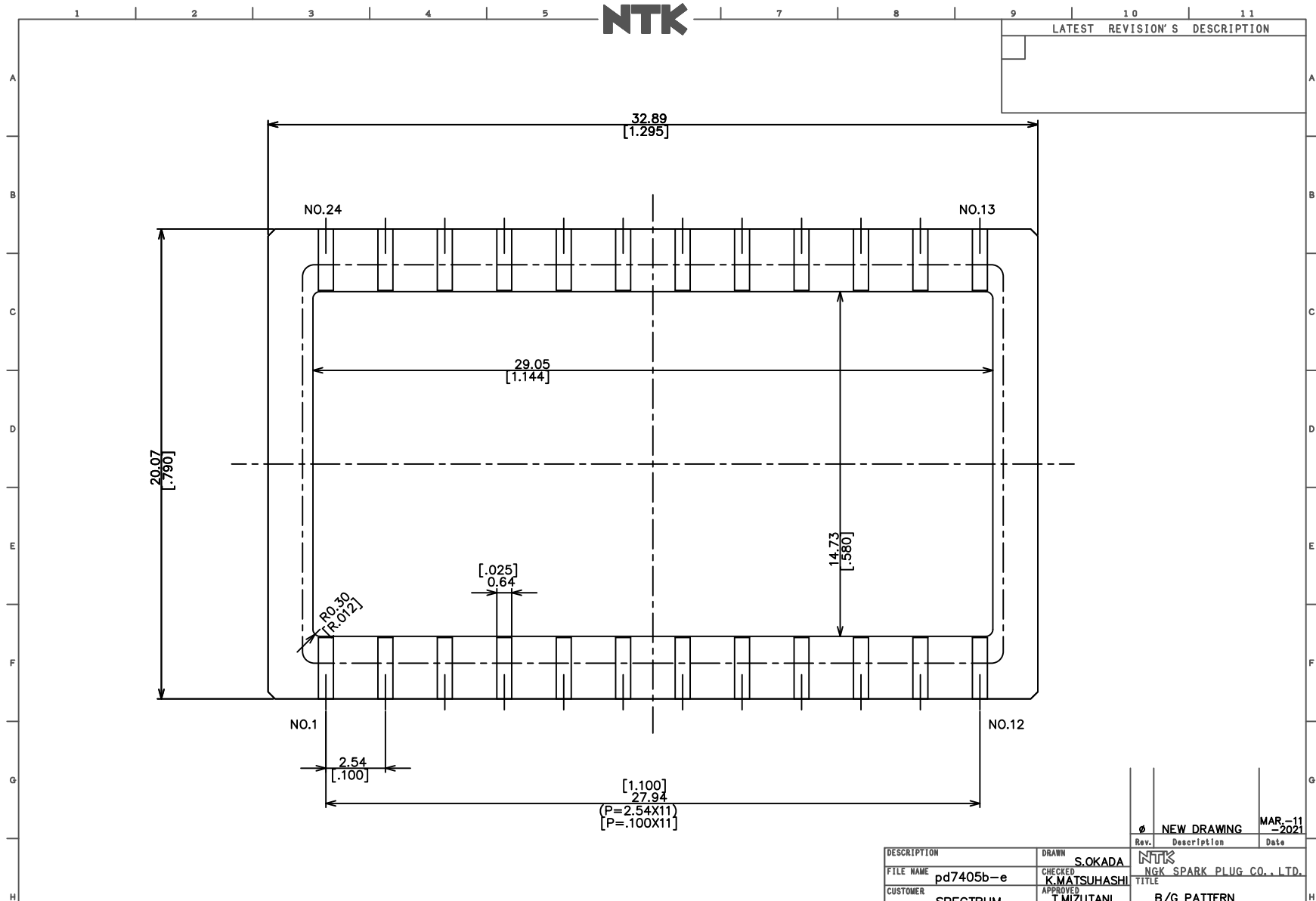
SHEET 1 OF 1







REV.	DATE	DESCRIPTION

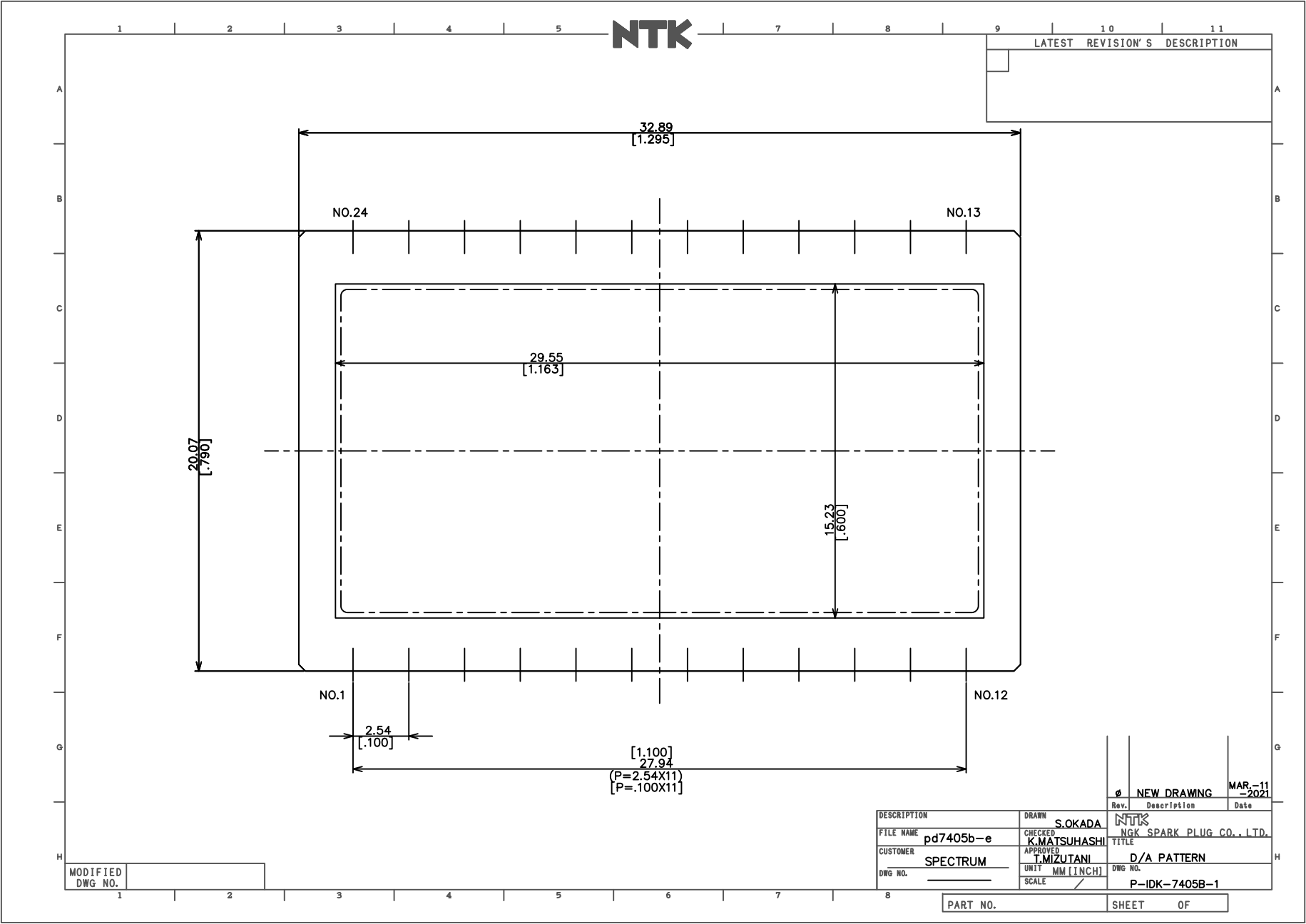


MODIFIED	
DWG NO.	

DESCRIPTION	DRAWN	Rev.	NEW DRAWING	MAR-11
FILE NAME	CHECKED	Description		Date
pd7405b-e	S.OKADA	NTK		
CUSTOMER	APPROVED	TITLE		
SPECTRUM	T.MIZUTANI	B/G PATTERN		
DWG NO.	UNIT	DWG NO.		
	MM [INCH]	P-IDK-311A-2		
	SCALE			

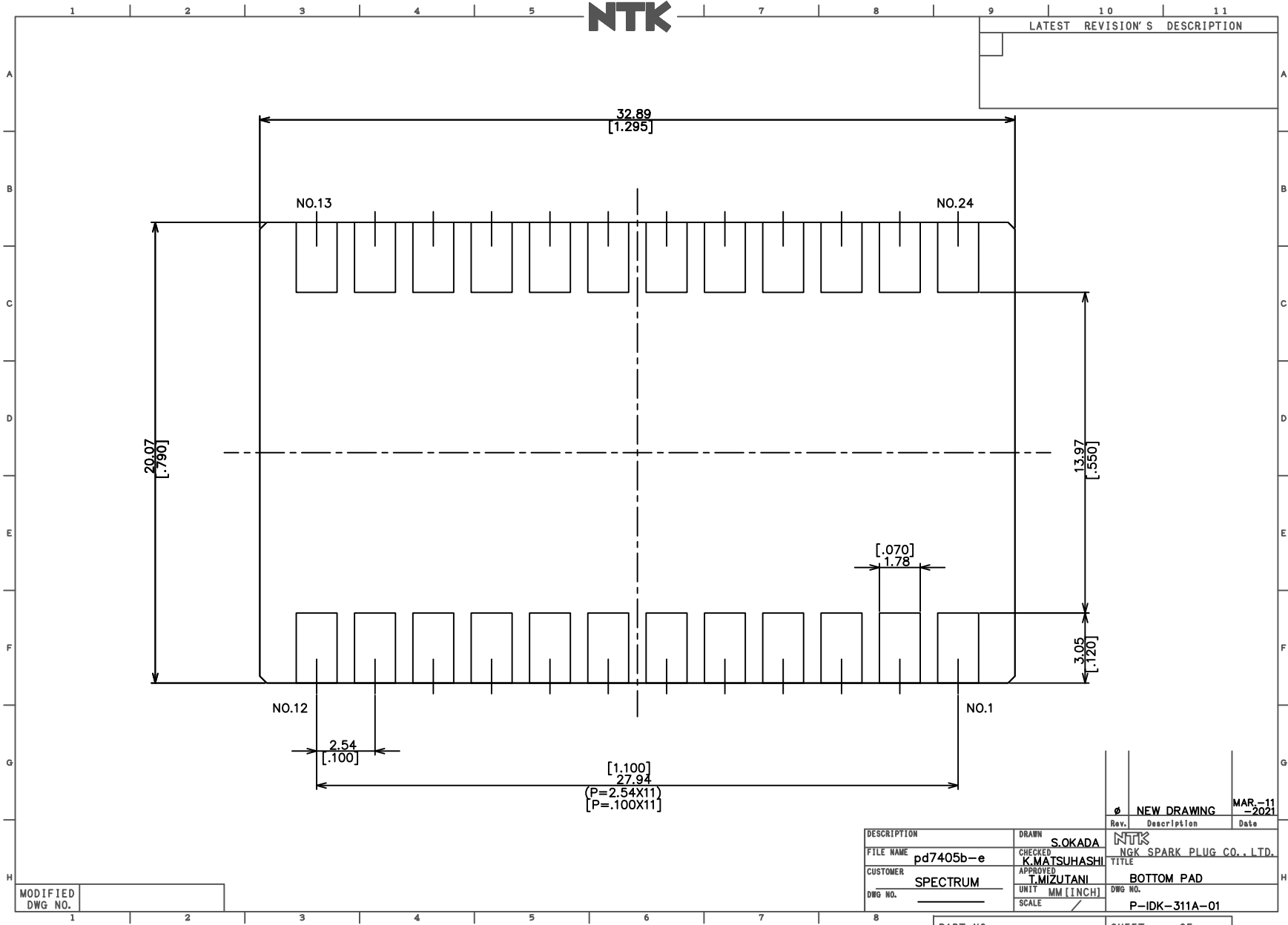
PART NO. SHEET OF





NTK

REV.	DATE	DESCRIPTION



DESCRIPTION	DRAWN	S.OKADA	Rev.	NEW DRAWING	MAR-11
FILE NAME	CHECKED	K.MATSUHASHI	Description	NTK	-2021
CUSTOMER	APPROVED	T.MIZUTANI	TITLE	NGK SPARK PLUG CO., LTD.	
DWG NO.	UNIT	MM [INCH]	BOTTOM PAD		
	SCALE	/	DWG No.		
			P-IDK-311A-01		

MODIFIED DWG NO. 1 2

PART NO. SHEET OF

