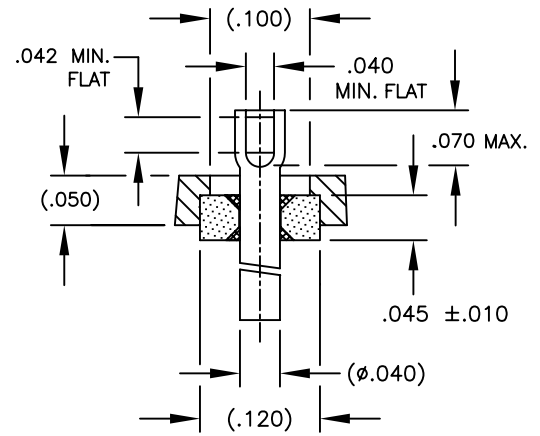
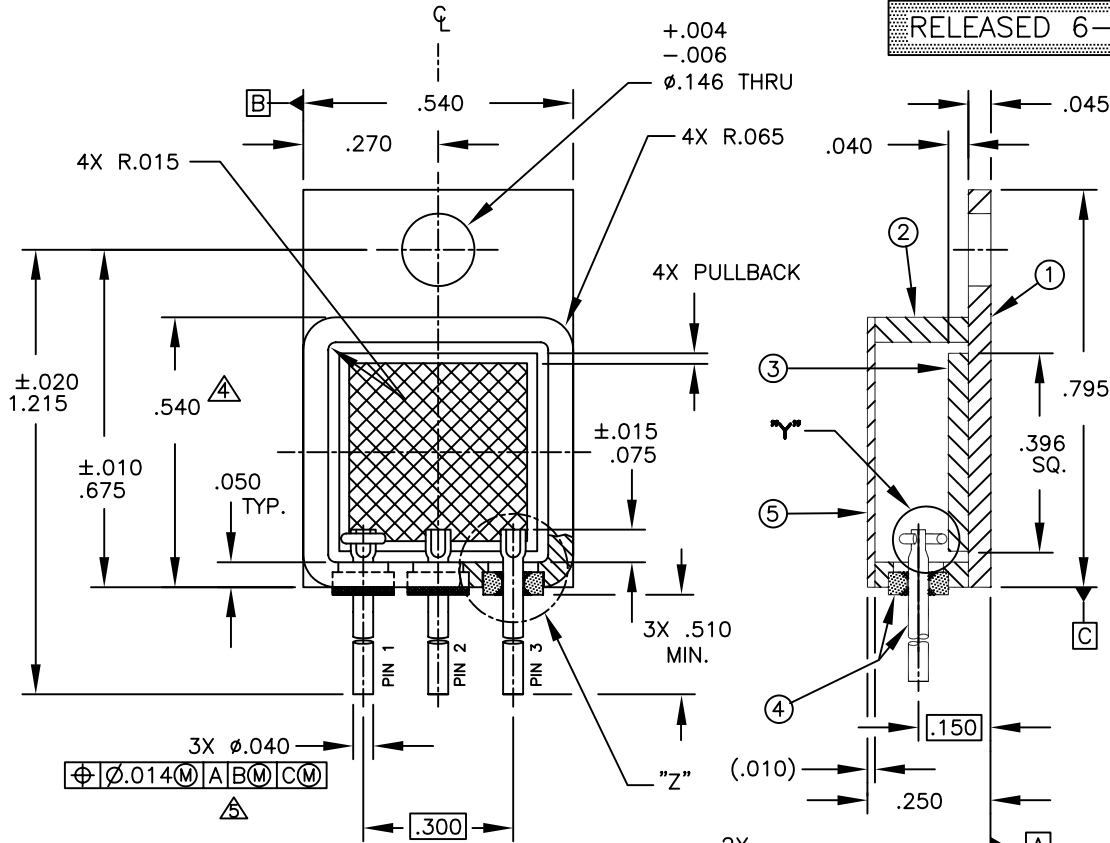


# SSM P/N HDR25404

4

RELEASED 6-28-07

LET.	REVISIONS	BY/DATE	APPV. BY
M	M4E0460 REPLACED M4A0838 AND 6767 (ITEM 3), ADDED NOTE 5. PER ECN 6811.	J. S. 12-10-02	J. P. 12-16-02
N	ADDED .045 MIN. DIM., PER ECN 11935.	C.N. 6-12-07	J.P. 6-28-07



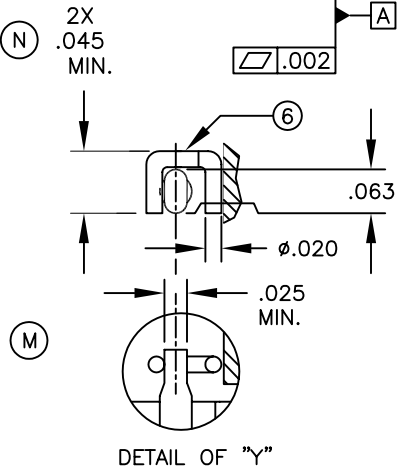
DETAIL OF "Z"

- NOTES:
- CROSS-HATCHED AREAS DENOTE METALLIZATION.
  - PLATING: SEE CHART.
  - HERMETICITY:  $1 \times 10^{-8}$  CC/SEC He AT 1 ATM. DIFF. PRESSURE.
- △ .540 DIM. DOES NOT INCLUDE ITEM 4, MET. CERAMIC EYELET.
- (M) △ MEASURED WHERE PIN EXITS CERAMIC.

P001	WITH BeO, PIN 1 GROUNDED	BeO PULLBACK .020	Ni ONLY
P002	WITH BeO, PIN 2 GROUNDED		
P003	WITHOUT BeO		
P004	WITH BeO, PIN 1 GROUNDED	BeO PULLBACK .020	50 μ" Au MIN.
P005	WITH BeO, PIN 2 GROUNDED		
P006	WITHOUT BeO		
P007	WITH BeO, NO GROUND PIN		
PART NO.	50 μ" Ni MIN. UNDERNEATH Au PLATING		

ITEM	DESCRIPTION	MATERIAL	REQ'D.	DRAWING NO.
6	CONNECTOR PIN	SILVER	1	6233
5	SEAL RING	FeNiCo ALLOY	1	5044
4	PIN/MET. CERAMIC	Cu CORED ALLOY 52 ALUMINA 92-96%	3	M4E0460
3	MET. CERAMIC	BeO 99.5% MIN.	1	M4B0460
2	FRAME	O.F.H.C. COPPER	1	5338
1	FLANGE	W/Cu ALLOY	1	4283

BILL OF MATERIALS



DETAIL OF "Y"

TOLERANCE UNLESS SPECIFIED JXX ±.01 JXXX ±.005 JXXXX ±.0010 ANGLES	DRAWN BY VV DATE 3-27-90	 COMPANY CONFIDENTIAL SAN DIEGO PLANT KYOCERA AMERICA INC. 8611 BALBOA AVENUE SAN DIEGO, CA 92123-1580	NAME FINAL ASSEMBLY
DIMS. ARE IN INCHES DIMENSIONS AND TOLERANCES PER ASME Y14.5M-1994	CHECKED BY R. NG DATE 3-27-90		MATERIAL SEE B.O.M.
APPROVED BY MH DATE 3-28-90	PROJECT 3H-FE-460		DWG. NO. SD-570-A460
	REV. N		DR. E: SHEET 1 OF 1

