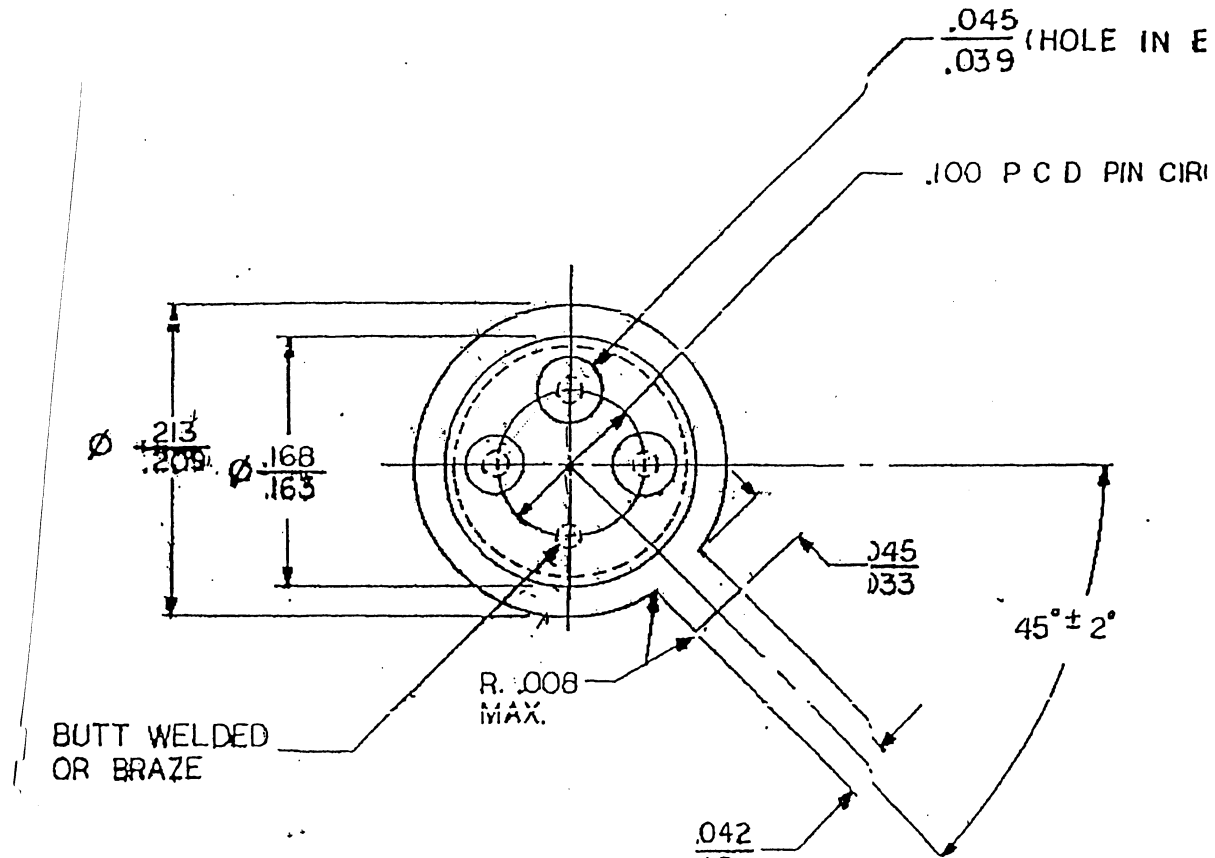
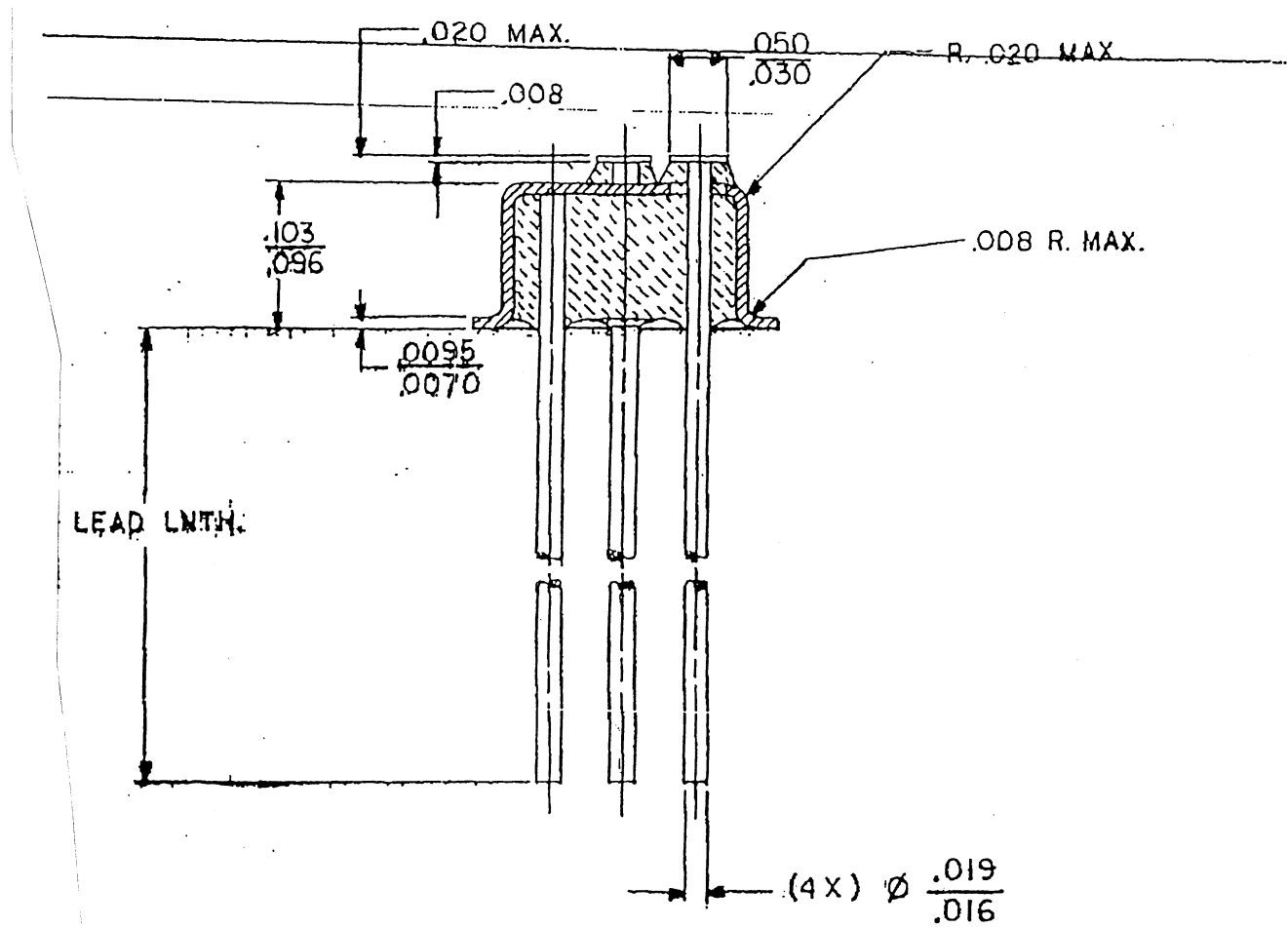


SSM P/N HDR01829



SSM P/N HDR01829



SSM P/N HDR01829

REV LET.	REVISION DESCRIPTION	DRAWN BY	ECH NO.	DATE
ORIS		ED	46031	12-13-85
A	CORRECT HEADLE HEIGHT DIM.	R.E.	46337	2-27-86
A-1	Added Cat.#s 7423 and 7433	S.J.	49825	3-17-87
A-2	CLARIFICATION TO DIMENSION POINT	B.E.	50620	6-9-87
A-3	ADDED: CAT. No. 7288	Ad.	55112	3-9-89
A-4	CHNG: EYELET DIM.	SP.	558923	1/14/89

NOTES: (UNLESS OTHERWISE SPECIFIED):

- ① FOR INSPECTION CRITERIA SEE M+SS 72.
- 2. POST HEIGHT AND FLANGE THICKNESS ARE MAJOR ACCEPTANCE LEVELS.

③

CAT. NO.	NICKEL PLATED (μ ")			GOLD PLATED (μ ")		LEAD LNTH.
	PRE-FUSED	LEAD	FINAL	BETA SCOPE MIN. D/A	THRU LEAD	
7423			50 / 350	40 (NAIL)	10	.500 / .560*
7433			50 / 350	40	40	1.500 / 1.560
7288			∅	40	40	.500 / .560

- ④ KOVAR LEADS.

