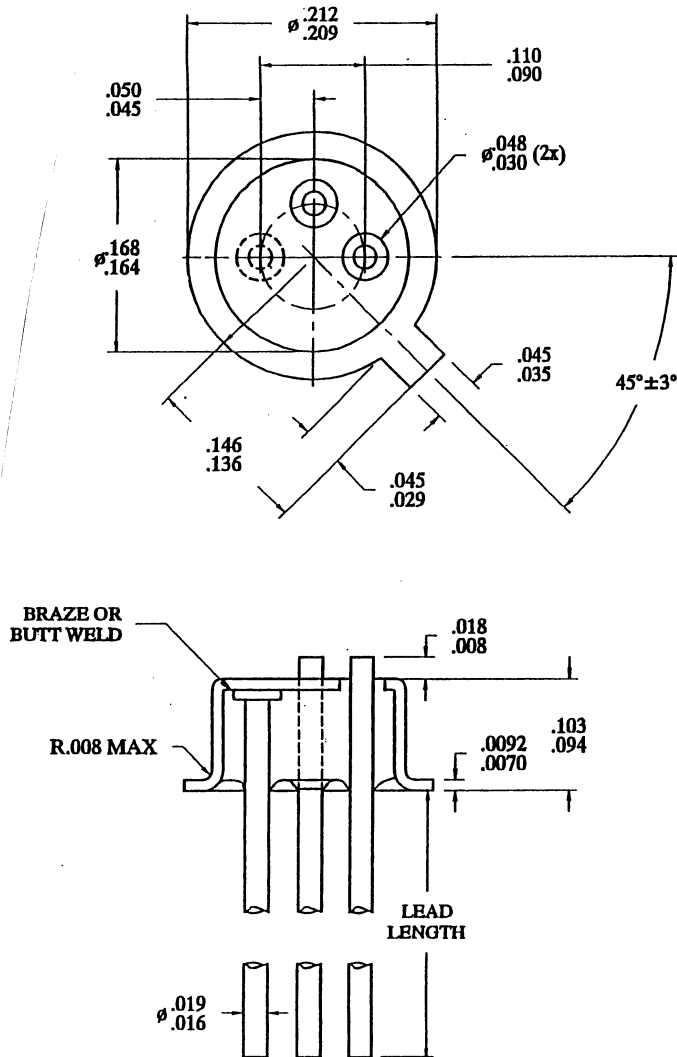


SSM P/N HDR01814  
(Option 7271)



REV.	DESCRIPTION	ECH. NO.	DATE
E	REDUCED SIZE OF DRAWING	MIN	4/27/97

CONTROLLED DIST. CODE: 05F-063

NOTES:

① FOR INSPECTION CRITERIA SEE M&SS 72.

2. POST HEIGHT AND FLANGE THICKNESS ARE MAJOR ACCEPTANCE LEVELS.

3.

CAT. NO.	NI PLATED (μ")		AU PLATED (μ")		LEAD LENGTH
	PRE-FUSED	FINAL	BETA SCOPE MIN. D/A	THRU LDS.	
7256			40	NONE	.500/.560
7218			30	FULL	.500/.560
7218B		120 MIN.	60	FULL	.500/.560
7217			30	FULL	1.500/1.562
7267		50-350	30	10	.500/.560
7271		50-350			.500/.560
7272		50-350	FULL	10	.500/.560

4. EYELET SHAPE MUST BE THE SAME FOR ALL SHIPMENTS. A COMMON EYELET SIZE & SHAPE MUST BE MAINTAINED.

5. THE GLASS COLOR OF BLACK OR DARK BROWN BE USED.

⑥ MATERIAL: KOVAR.

ALL DIMENSIONS IN INCHES UNLESS OTHERWISE SPECIFIED

M. F. Matheson DRAWN DATE 3/6/96 CHECKED DATE APP FOR PRODUCTION DATE FINISH MATERIAL SPECIFICATION	TITLE <b>HEADER, TO-18 (3 LEAD)</b>	TOLERANCE UNLESS OTHERWISE SPECIFIED .005 DECIMALS, .005 FRACTIONS, .015 ANGLES .010 SURFACE FINISH	CATALOG NO. B500121
SCALE NTS SHEET 1 of 1 Dwg. No.			

