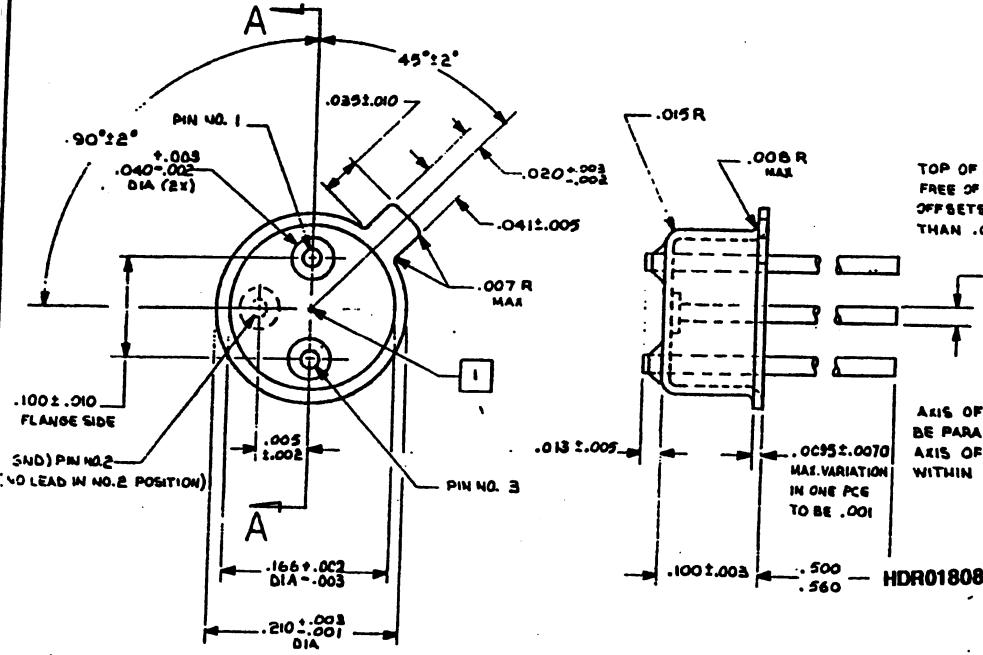


SSM P/N HDR01808

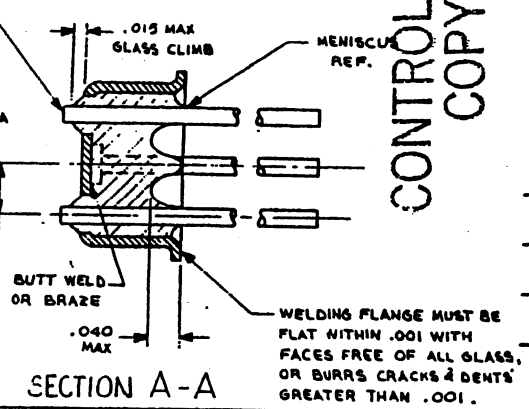
This document contains proprietary information and is delivered upon the expressed condition that it will not be used directly or indirectly in any way detrimental to the interest of the donor.

REVISIONS				
ZONE	LTR	DESCRIPTION	DATE	APPROVED
A		PER ECN NO. 12253		
B		PER ECN NO.		



TOP OF PINS TO BE FREE OF BURRS OR OFFSETS GREATER THAN .001

AXIS OF PINS TO BE PARALLEL TO AXIS OF EYELET WITHIN 10°



CONTROLLED COPY

- NOTES:
- TOP SURFACE OF EYELET FLAT & FREE OF PROJECTIONS HIGHER THAN .0002 & DEPRESSIONS DEEPER THAN .001.
 - CLEARANCE BETWEEN ANY INSULATED LEAD AN EYELET TO BE .003 MIN.

PART NO.	FINISH	PLATING THICKNESS
10-0011-06	99.7%AU	50µ" MIN AU AS MEASURED IN DIA AREA OVER 50-350µ" ELECTROLYTIC NI
10-0011-03		40µ" FULL AU
10-0011-02	99.7% AU	50µ" MIN OVER 50-350µ" ELECTROLYTIC OR SUPERFINE NI
10-0011-01	99.7%AU	40µ" MIN AU DIA AREA & BOBT TOPS OVER 80-200µ" FULL ELECTROLYTIC NI (MATS 32 BONY)

UNLESS OTHERWISE SPECIFIED DIMENSIONS ARE IN INCHES FINE TOLERANCE ON DEC ANGLES	QUANTITY SHIPPED	DATE	CAH-1038-3	
MATERIAL: EYELET: NIMONOR OR EQUIV LEADS: NIMONOR OR EQUIV GLASS: 7052 OR EQUIV	CHKD BY: <i>[Signature]</i>	DATE: 9/80	HEADER ASSEMBLY, TO -18 # 1 & 3 THRU # 2 GRD	
APPROVED BY: <i>[Signature]</i>	DATE: 10/80	SIZE B	CODE IDENT NO.	10-0011 E
APPLICATION: SEE TABULATION	SCALE: NONE	SHEET 1 OF 1		

