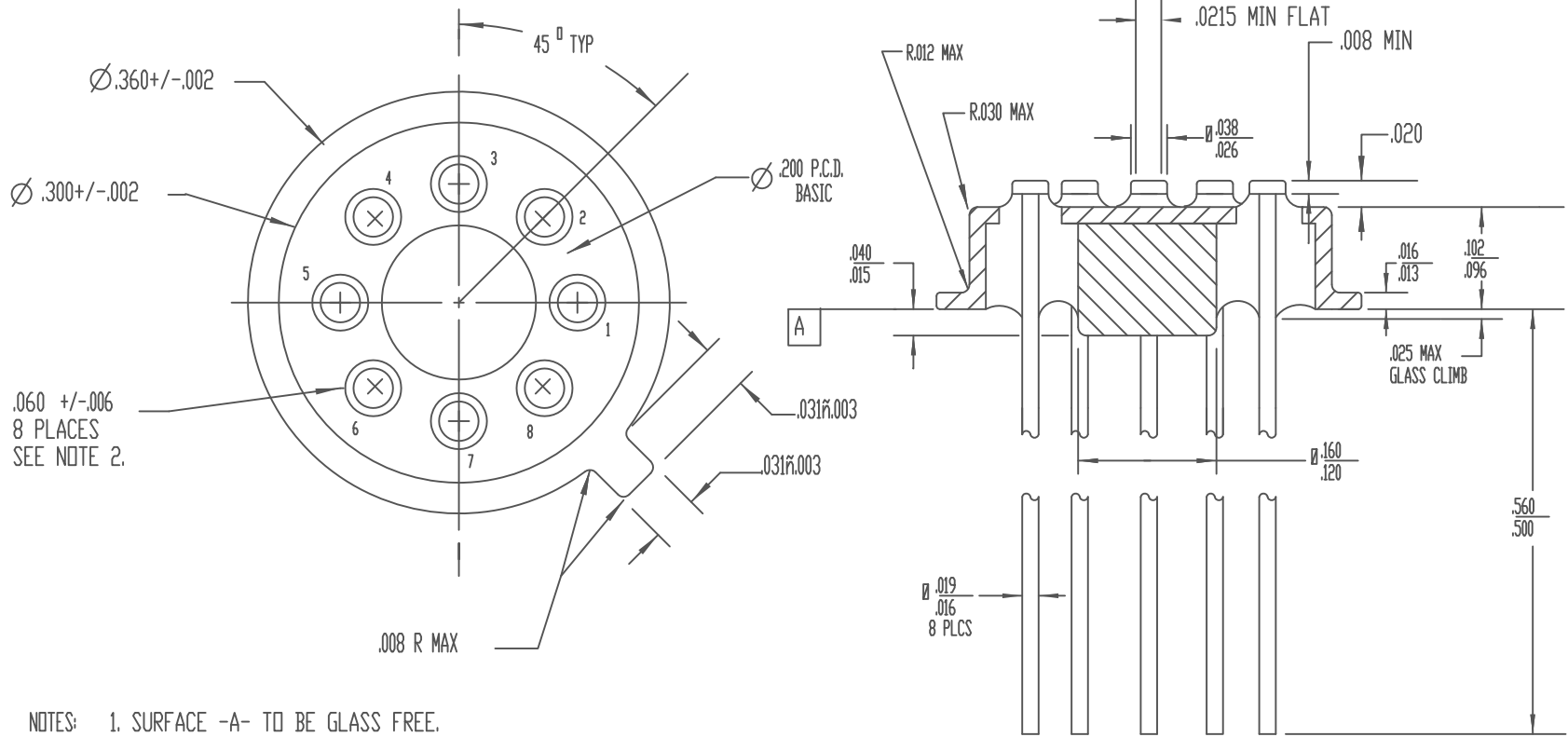



# SSM P/N HDR00566



- NOTES:
1. SURFACE -A- TO BE GLASS FREE.
  2.  $.060$  DIA. HOLES TO BE LOCATED ON TRUE CENTER WITHIN  $\pm .003$  DIA. IN RELATION TO FLANGE DIA. AND TAB CENTERLINES.
  3.  $.020$  POST HEIGHT MAY NOT VARY MORE THAN  $\pm .003$  PER PLATING LOT.

REVISION RECORD			MATERIAL:	TOLERANCES	DR. JWP		
A	ORIGINAL	8.2.83					
B	REDRAW ON CAD	4.4.00	FINISH: MIN 50 MICROINCHES AU OVER NI	APPR	CAD CODE	PART NO. HDR00566	REV. B

