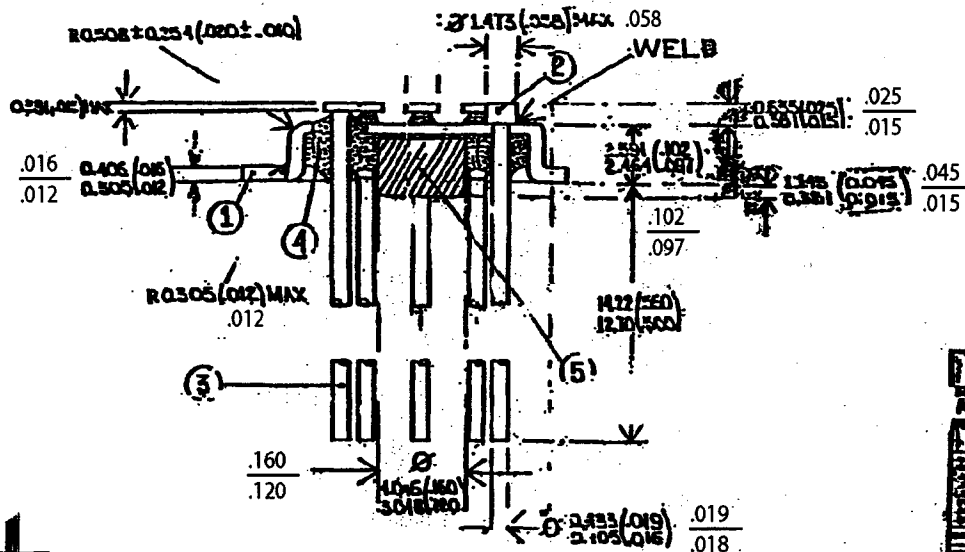
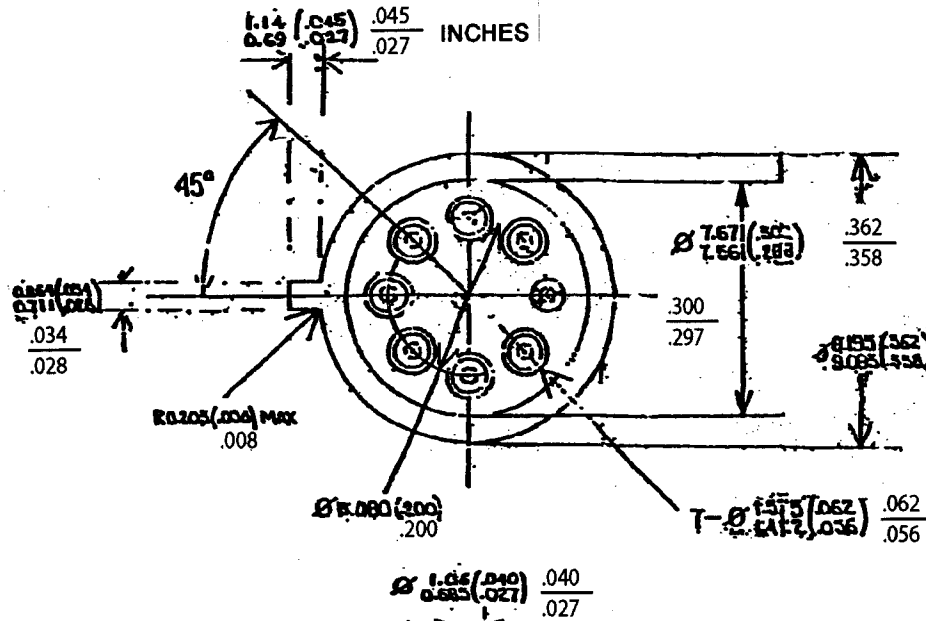


SSM P/N HDR00543



NOTES:

1. EYELET (KOVAR)-TYPE A
2. END LEAD (KOVAR)-TYPE A CAT NO. 7205 HAS NO GRIND LEAD-ALL THRU WITH NAILHEAD
3. LEAD (KOVAR)-TYPE A
4. GLASS (HARD GLASS) (BLACK OR DARK BROWN IN COLOR)
5. STAND OFF (GLASS CERAMIC) STAND OFF MUST BE NOT BE IN DIRECT CONTACT WITH METAL EYELET
6. PLATING OPTIONS:

GOLD NICKEL

12 TO	50-125µV IN 10A AREA	50-250µV ELECTRODEPOSITIVE SULPHAMATE
	50-225µV ON LEADS	

MISS 22

EYELET SHAPE MUST BE THE SAME FOR ALL PARTMENTS - A COMMON EYELET SIZE AND SHAPE MUST BE MAINTAINED.

A. BOYD		B. GILBERT		C. HICKMAN	
SEE NOTE 6		KOVAR		MISS 22	
TO-5 NAIL HEAD HEADER & LEADS				C 500311 A-8	

