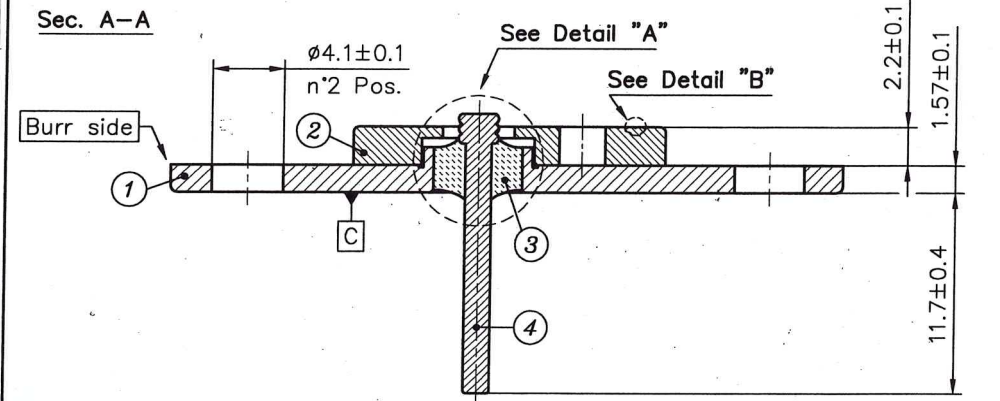
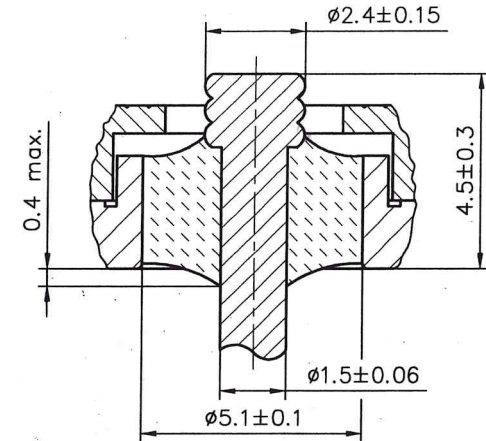


# SSM P/N HDR00339

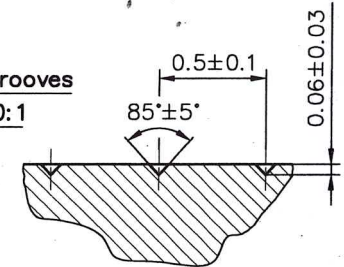
| EXTENSION | GLASS COLOR | PLATING                  |
|-----------|-------------|--------------------------|
| 11        | Blue        | Electroless Nickel 3±6µm |



**Detail "A"**  
scale 10:1  
n\*2 Pos.

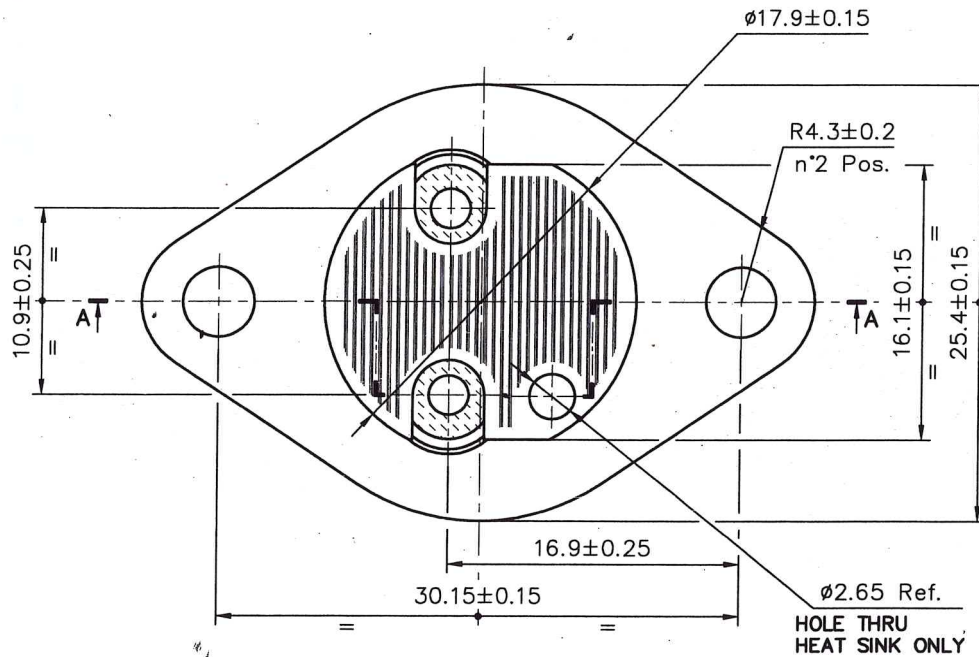


**Detail "B" grooves**  
scale 50:1



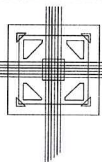
Note / Notes

- |  |  |
|--|--|
| 1 Flangia: acciaio, EN 10139-DC04.                                   | 1 Flange: steel EN 10139-DC04.   |
| 2 Dissipatore di calore: rame EN 1652-Cu-OF.                         | 2 Heat sink: copper EN 1652-Cu-OF.                                       |
| 3 Vetro compresso.   | 3 Compression glass seal.  |
| 4 Adduttori: DIN 17745-NiFe47 o ASTM F30-Lega 52 ramati e nichelati. | 4 Leads: DIN 17745-NiFe47 or ASTM F30-Alloy 52 copper and nickel plated. |
- Bavature ammesse 0.1 max.
  - Superficie "C" interna al Ø23.62 deve essere concava 0.04 convessa 0.16.
  - Surface "C" to be flat 0.04 concave to 0.16 convex inside diameter 23.62.
  - Burrs 0.1 max.



|   |          |            |   |
|---|----------|------------|---|
| 0 | Emission | 22-06-2016 | 5 |
| 1 |          |            | 6 |
| 2 |          |            | 7 |
| 3 |          |            | 8 |
| 4 |          |            | 9 |

| Scale                              | Designer | Chairman    | Material                               | Edition | Sight (METRIC mm) |
|------------------------------------|----------|-------------|--|---------|-------------------|
| 4:1                                | Rossi    | Soffientini | See notes                              | 02      | A3                |
| Sintermetalglass Srl               |          |             | General Roughness                      |         |                   |
| Via Gramsci, 44 - 20090 OPERA (MI) |          |             | General tolerances where not specified |         |                   |
| Tel.02-57600376-57601274-57601570  |          |             | Design N°                              |         |                   |
| Fax.02-57600924                    |          |             | ISO 2768-mK                            |         |                   |
|                                    |          |             | SMG 100.064                            |         |                   |



**SPECTRUM**  
SEMICONDUCTOR MATERIALS, INC.

www.spectrum-semi.com Phone: 408-435-5555 Fax: 408-435-8226