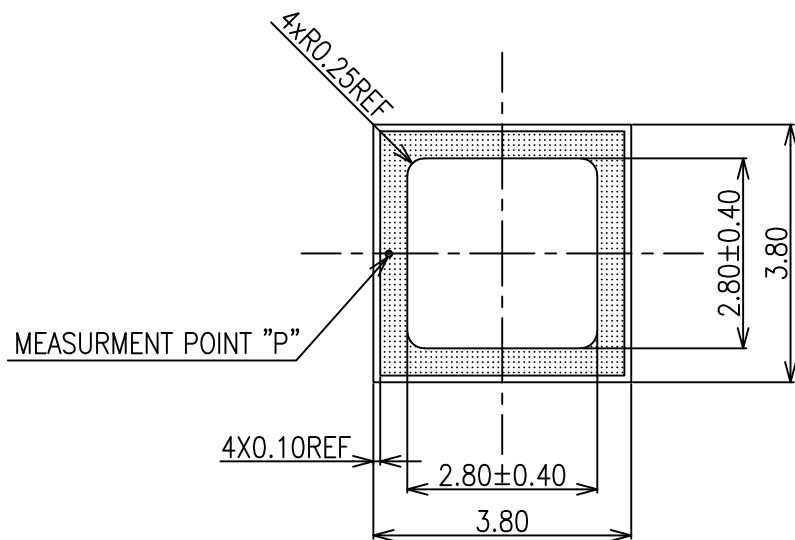
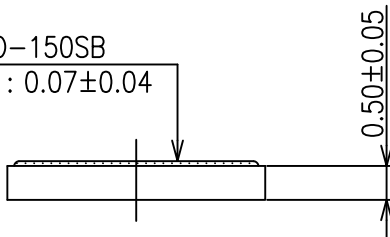


SSM P/N GL-15001



EPOXY NAME : NCO-150SB
 EPOXY THICKNESS : 0.07 ± 0.04



NOTES

1. EPOXY THICKNESS MEASUREMENT POINT "P"
2. SPEC: KSD-248-0091(Latest Rev.)
3. EPOXY TECHNICAL SHEET : KSD-248-0107(Latest Rev.)

MODIFICATIONS							
	-	INITIAL					
REV	CHANGE	DATE	APPROVED	CHECKED	CHECKED	DRAWN	
NAME 3.80X3.80X0.50 GLASS EPOXY LID		TOLERANCES ±0.10	SCALE 10 : 1	MATERIAL D263Teco		1 / 1	
DRAWING NO. K̄O-LĪO200184			UNIT mm				
CAUTION	THIS DRAWING CONTAINS THE CLASSIFIED INFORMATION ON KYOCERA CORPORATION. INDICATING TO THE THIRD PARTY OR COPYING ALL OR PART OF THE CONTENT IS STRICTLY PROHIBITED WITHOUT WRITTEN PERMISSION FROM KYOCERA CORPORATION.						