

NOTES:

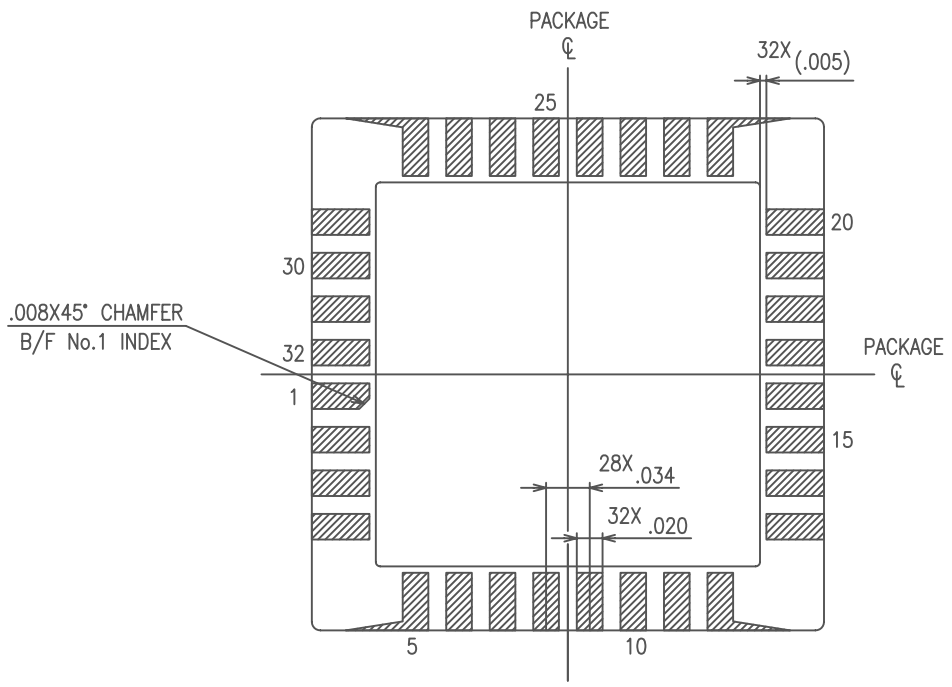
1. PLATING :  
Ni : 100~350 MICRO INCHES.  
Au : 60~225 MICRO INCHES.
2. SEAL AREA TO BE METALLIZED.
3. DIE ATTACH AREA TO BE METALLIZED.
4. SEAL RING AND DIE ATTACH PAD TO BE FLOATING FROM ANY LEADS.
5. WIRE BOND PAD CONNECTED TO CORRESPONDED OUTER LEADS.
6. MISALIGNMENT OF METALLIZATION PATTERN IN CAVITY SHALL BE ACCEPTED DUE TO LAYER MISALIGNMENT.

MODIFICATION									
	CHANGED								

NAME 32 LEAD SIDE BRAZED PACKAGE		TOLERANCE UNLESS OTHERWISE SPECIFIED	
SCALE 4 / 1	MATERIAL AS INDICATED	±1.0% N.L.T.±.005	
		KYOCERA CORPORATION KYOTO JAPAN	

SB032ATJ04-1				S=0
				D=0
DRAWN	CHECKED	APPROVED	DATE	
Y.H	TO.H/M.SU	H.SA	SEP.27.07	
DRAWING NO. KD-SA7J04				SHEET 1/5

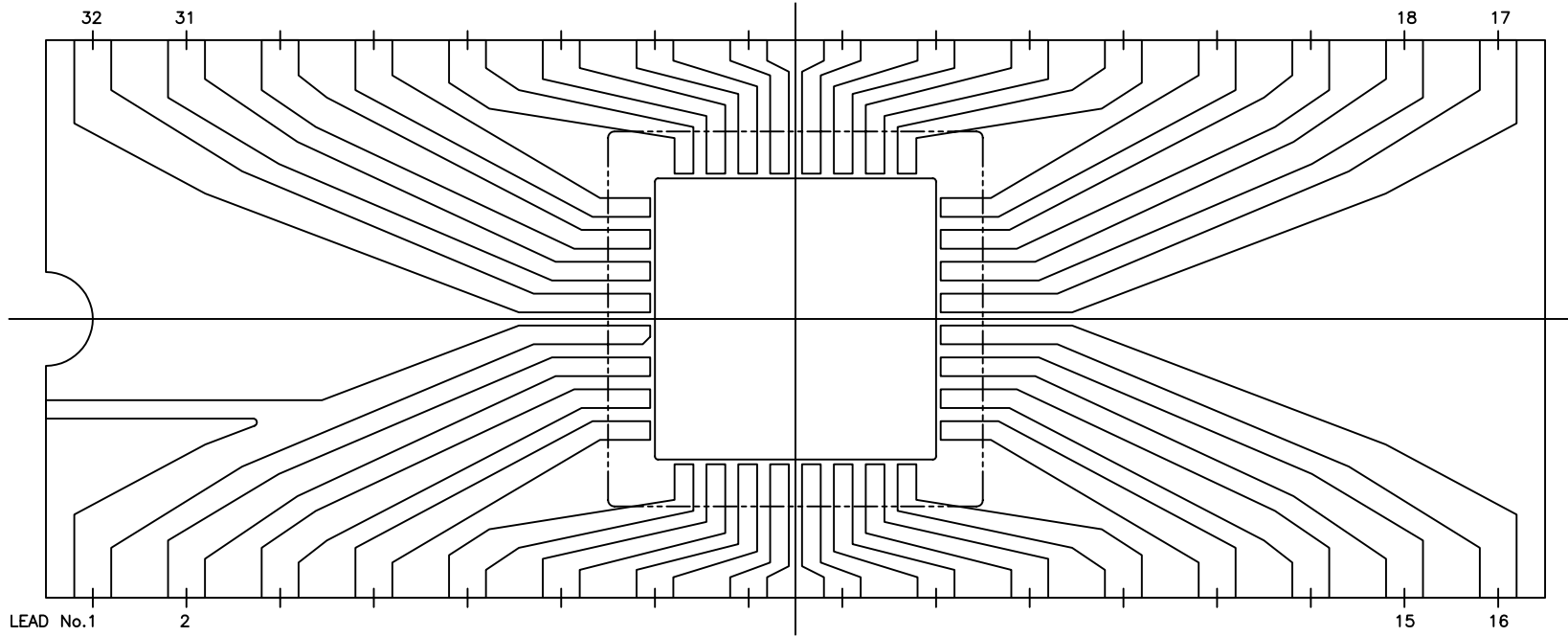




BONDING PATTERN

MODIFICATION						NAME	TOLERANCE	DRAWN	CHECKED	APPROVED	DATE
						32 LEAD SIDE BRAZED PACKAGE	UNLESS OTHERWISE SPECIFIED	Y.H	TO.H/M.SU	H.SA	SEP.27.'07
						SCALE 10/1	MATERIAL				
	CHANGED	DATE	DRAWN	CHECKED	APPROVED		KYOCERA CORPORATION KYOTO JAPAN	DRAWING NO.		SHEET	
									KD-SA7J04		2/5

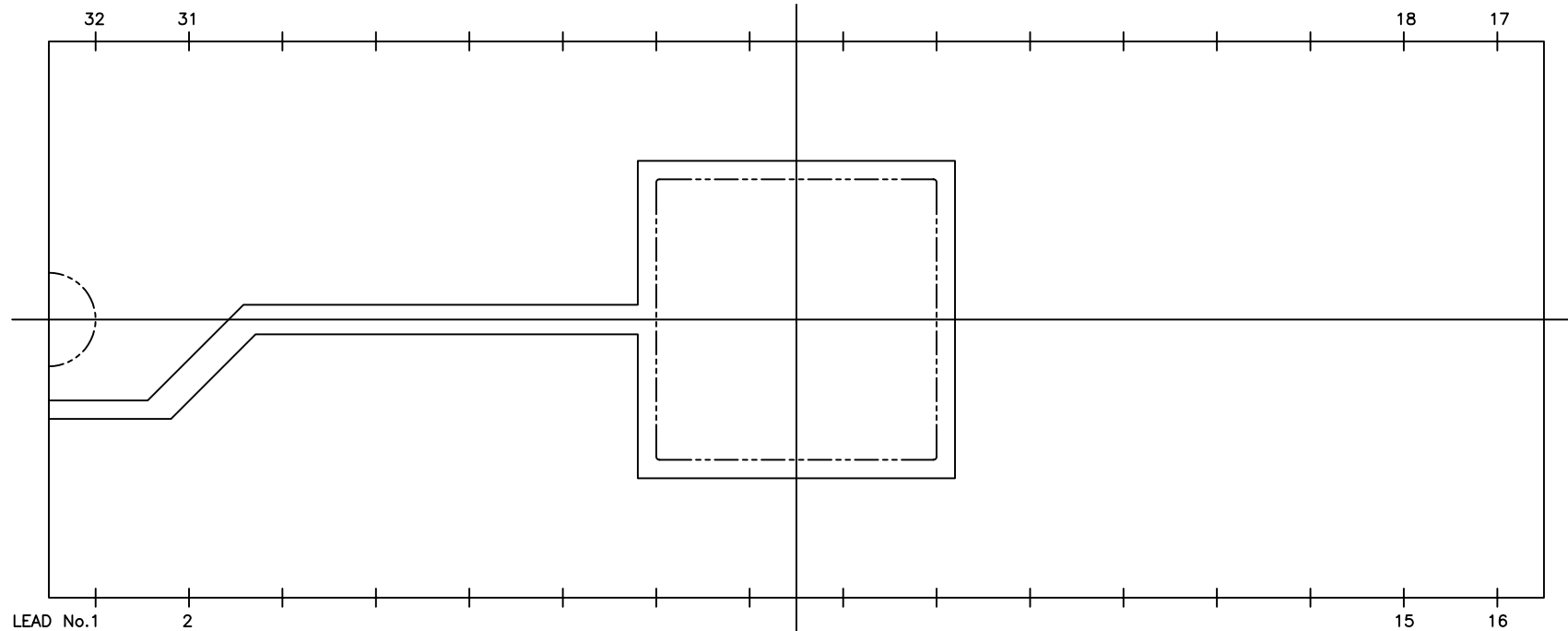




MP-2

MODIFICATION					NAME	TOLERANCE	DRAWN	CHECKED	APPROVED	DATE
					32 LEAD SIDE BRAZED PACKAGE	UNLESS OTHERWISE SPECIFIED	Y.H	TO.H/M.SU	H.SA	SEP.27.07
					SCALE 8 / 1	MATERIAL				
						THIRD ANGLE PROJECTION				
	CHANGED	DATE	DRAWN	CHECKED	APPROVED		KYOCERA CORPORATION KYOTO JAPAN		DRAWING NO.	SHEET
									KD-SA7J04	4 / 5

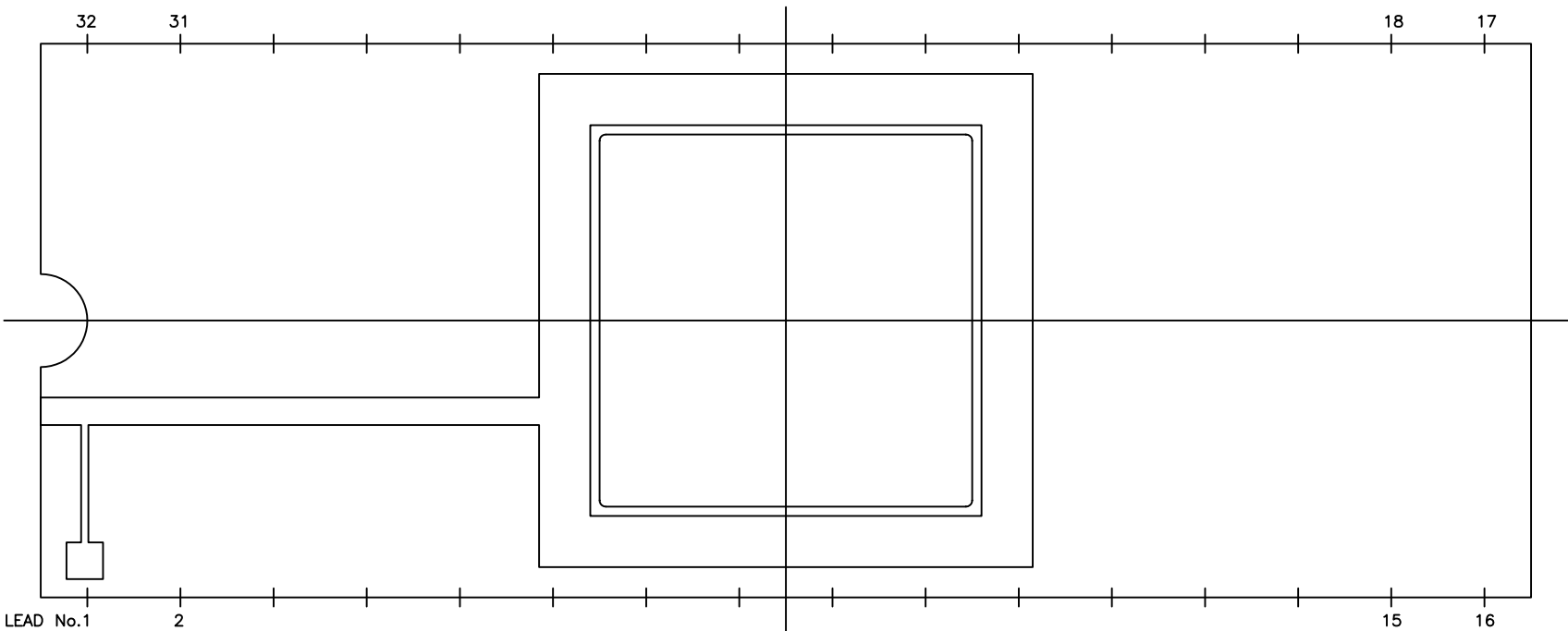




MP-3

MODIFICATION						NAME 32 LEAD SIDE BRAZED PACKAGE	TOLERANCE UNLESS OTHERWISE SPECIFIED	DRAWN Y.H	CHECKED T.O.H/M.SU	APPROVED H.SA	DATE SEP.27.07
						SCALE 8 / 1	MATERIAL				
							THIRD ANGLE PROJECTION				
	CHANGED	DATE	DRAWN	CHECKED	APPROVED		KYOCERA CORPORATION KYOTO JAPAN	DRAWING NO. KD-SA7J04		SHEET 5 / 5	





MP-1

MODIFICATION					NAME	TOLERANCE	DRAWN	CHECKED	APPROVED	DATE
					32 LEAD SIDE BRAZED PACKAGE	UNLESS OTHERWISE SPECIFIED	Y.H	TO.H/M.SU	H.SA	SEP.27.'07
					SCALE 8 / 1	MATERIAL				
						THIRD ANGLE PROJECTION				
	CHANGED	DATE	DRAWN	CHECKED	APPROVED	KYOCERA	KYOCERA CORPORATION KYOTO JAPAN		DRAWING NO.	SHEET
									KD-SA7J04	3 / 5

