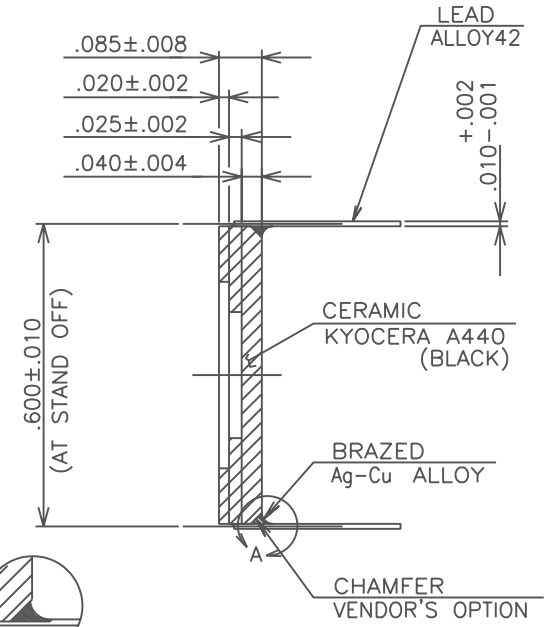
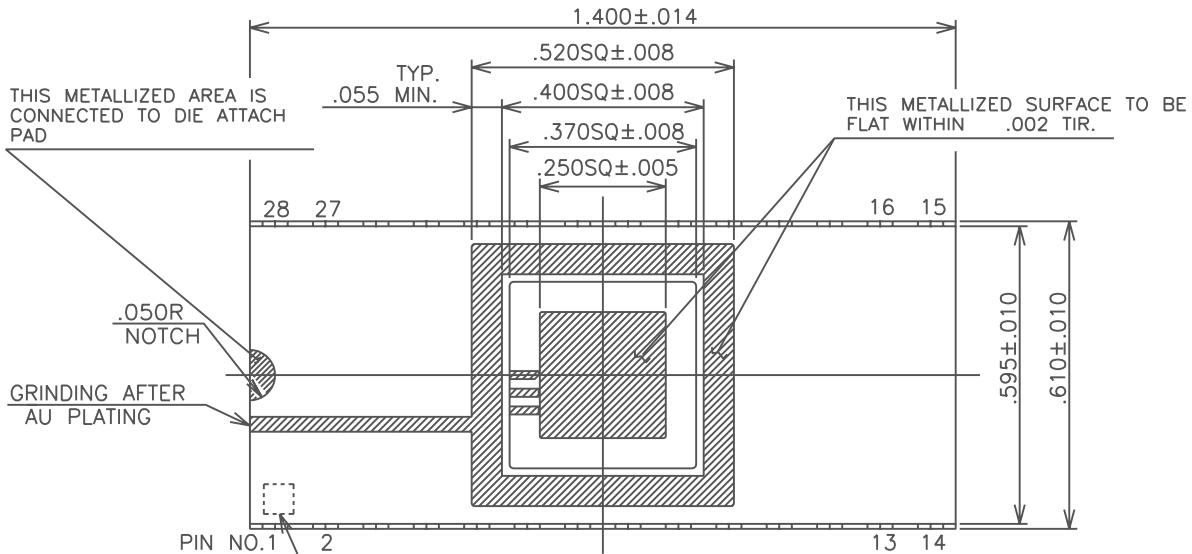


# SSM P/N CSB02880



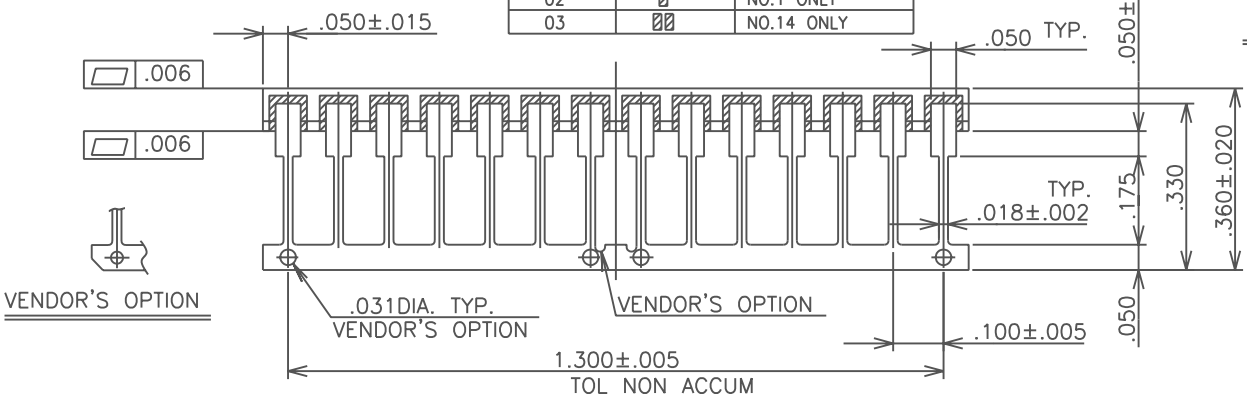
PART NO.	ID MARK	LEAD TIDE DOWN
01		NIL
02		NO.1 ONLY
03		NO.14 ONLY



DETAIL-A

NOTES :

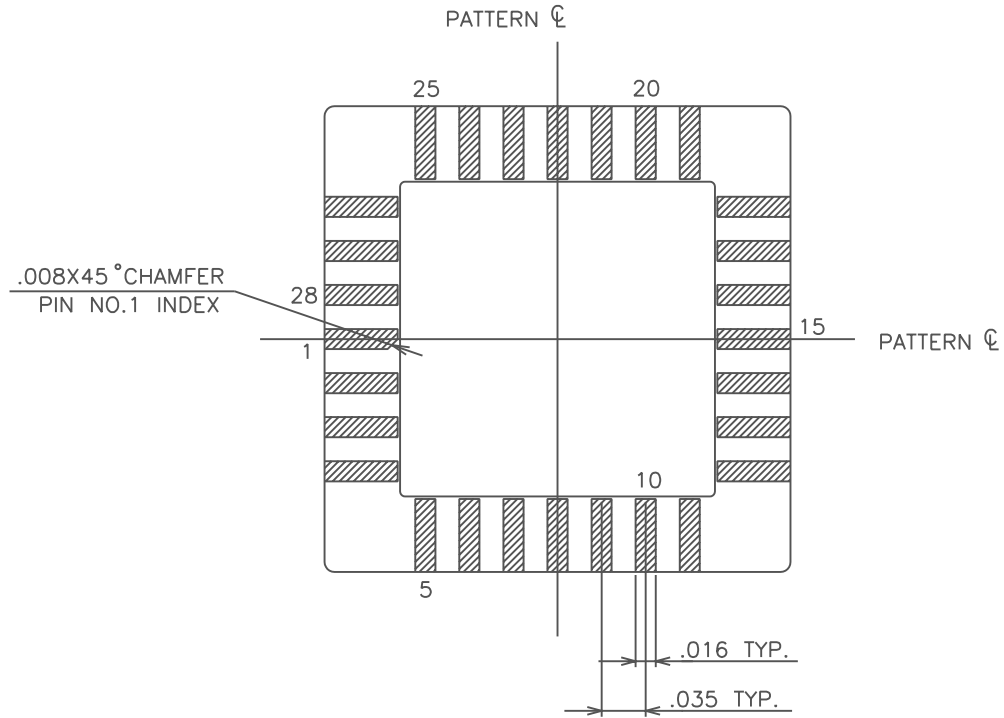
1. PLATING THICKNESS TO BE PER CUSTOMER'S SPECIFICATION.
2. SEAL AREA TO BE METALLIZED.
3. DIE ATTACH AREA TO BE METALLIZED.
4. LEAD RESISTANCE : 0.35 OHM MAX.



SB0281368-3	S=0 D=14
SB0281368-2	S=0 D=1
SB0281368-1	S=0 D=0

MODIFICATION	NAME	TOLERANCE UNLESS OTHERWISE SPECIFIED	DRAWN	CHECKED	APPROVED	DATE	DRAWN			CHECKED			APPROVED			
							S.F	T.C	T.A	K.M	S.F	T.C	T.A	K.M	S.F	T.C
REDRAWN	28 LEAD SIDE BRAZED PACKAGE	±.005	S.F	T.C	T.A	K.M	S.F	T.C	T.A	K.M	S.F	T.C	T.A	K.M	SEP.05.'78	
CHANGED	SCALE 4/1	THIRD ANGLE PROJECTION	JUN.23.'92	S.F	T.C/T.A	K.M	DRAWING NO. KD-78368-E			MATERIAL AS INDICATED			KYOCERA CORPORATION KYOTO JAPAN			SHEET 1/2





MODIFICATION						NAME 28 LEAD SIDE BRAZED PACKAGE	TOLERANCE UNLESS OTHERWISE SPECIFIED	DRAWN S.F	CHECKED T.C	APPROVED K.M	DATE SEP.05.'78
						SCALE 10 / 1	MATERIAL				
							THIRD ANGLE PROJECTION				
	A	REDRAWN	JUN.24.'92	S.F	T.C/T.A	K.M		KYOCERA CORPORATION KYOTO JAPAN	DRAWING NO. KD-78368-E		SHEET 2/2
	CHANGED	DATE	DRAWN	CHECKED	APPROVED						



