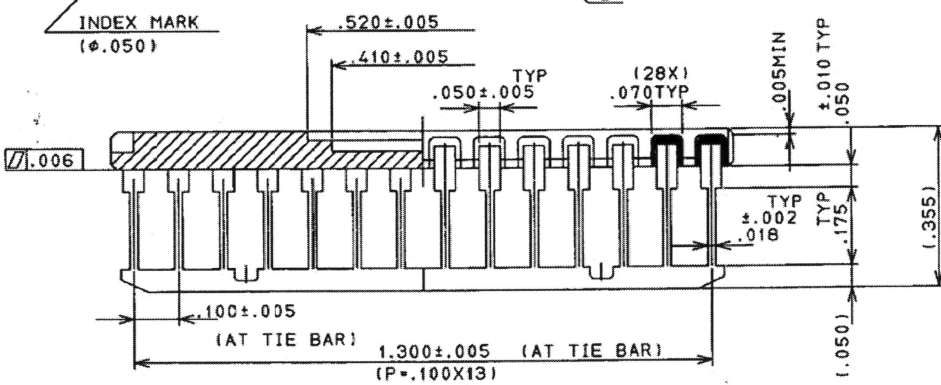
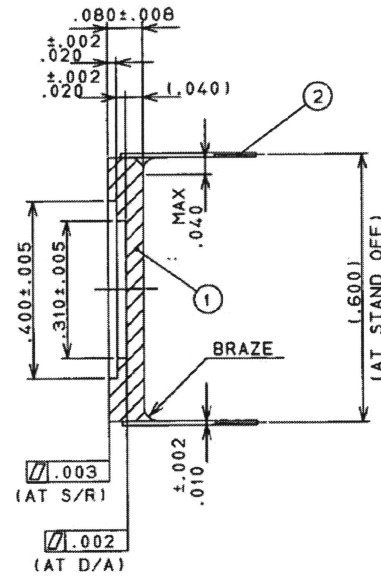
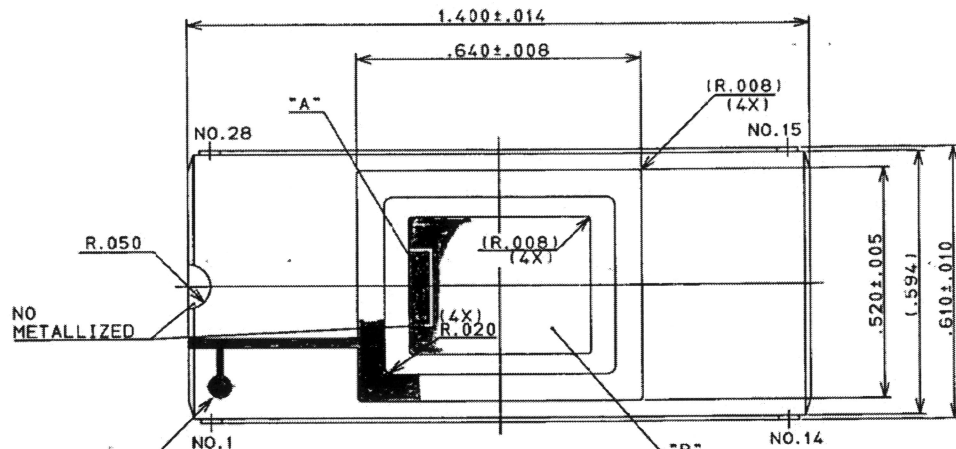


NTK

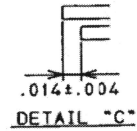
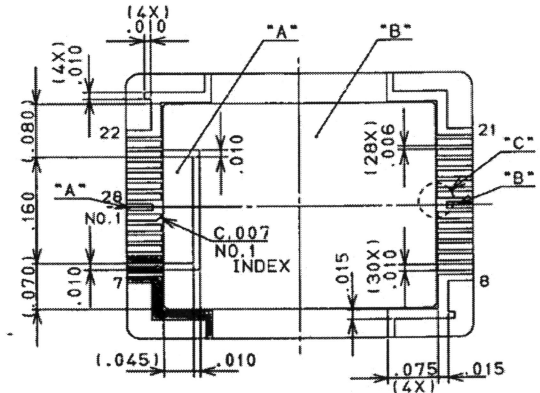
TECHNICAL CERAMICS

LATEST REVISION'S DESCRIPTION

A CHD. D/A PATTERN.



- NOTES: 1. GOLD PLATE 85μ INCHES MIN OVER 80μ INCHES MIN NICKEL.
 2. PAD "A" TO BE ELECTRICALLY CONNECTED TO THE DIE ATTACH PAD "A". PAD "B" TO BE ELECTRICALLY CONNECTED TO THE DIE ATTACH PAD "B". SEAL RING ISOLATED.
 3. LEAD RESISTANCE: 500 mΩ MAX



MODIFIED DWG NO. IDK28F1-6101CAL

B/G PADS DETAIL

③					
②	LEAD	ALLOY42		A	RE DRAWING APR-25-1995
①	CERAMIC	BLACK ALUMINA		φ	NEW DRAWING APR-11-1995
Item	Name	Material	Description	Rev.	Description Date
UNLESS OTHERWISE SPECIFIED TOLERANCES: ± 1%					
N. L. T. 2 DECIMALS. XX ± .01					
3 DECIMALS. XXX ± .005					
DRAWN K. AKITA			NTK TECHNICAL CERAMICS		
CHECKED			NGK SPARK PLUG CO., LTD		
APPROVED			TITLE		
			28LEAD S/B PKG		
UNIT INCH			DWG NO.		SIZE
SCALE			IDK28F1-6101DAL		A-2 (C)