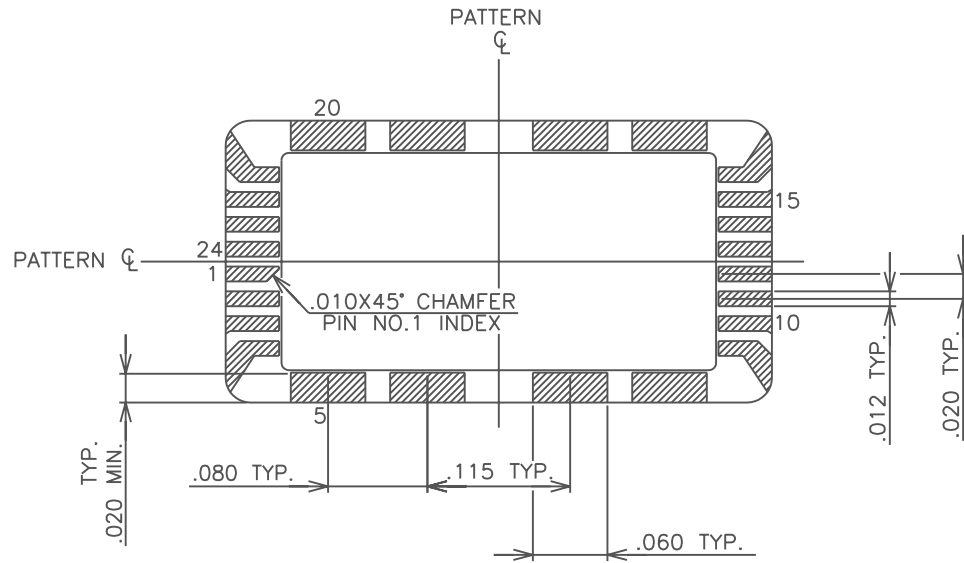


SSM P/N CSB02403



BONDING PATTERN

MODIFICATION						NAME	TOLERANCE	DRAWN	CHECKED	APPROVED	DATE
						24 LEAD SIDE BRAZED PACKAGE	UNLESS OTHERWISE SPECIFIED	Y.M	SH.K/S.F	T.A	OCT.22.'98
						SCALE 10 / 1	MATERIAL				
							THIRD ANGLE PROJECTION				
	CHANGED	DATE	DRAWN	CHECKED	APPROVED	KYOCERA	KYOCERA CORPORATION KYOTO JAPAN	DRAWING NO.		SHEET	
								KD-80160-C		2 / 2	

