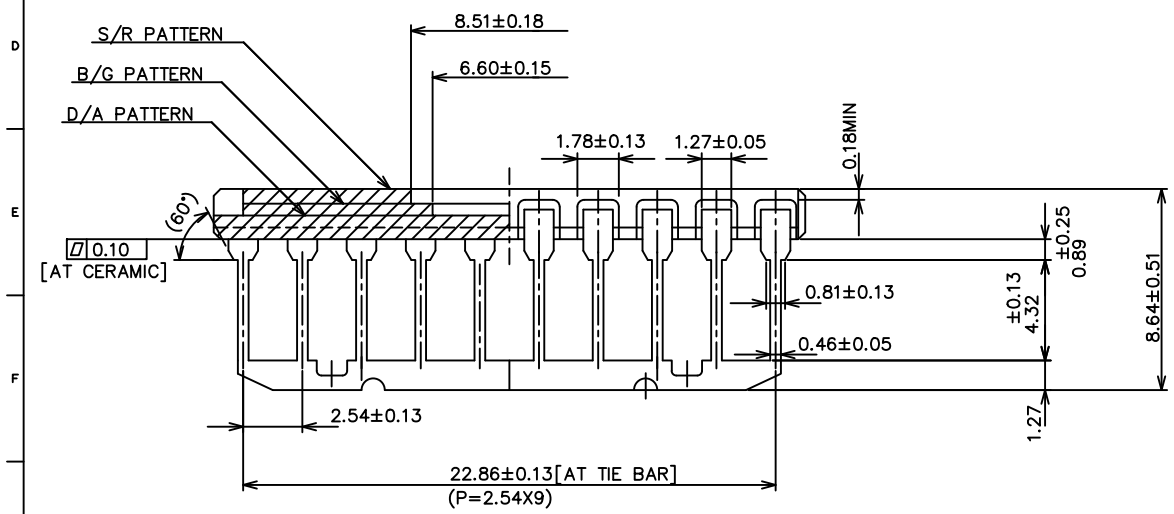
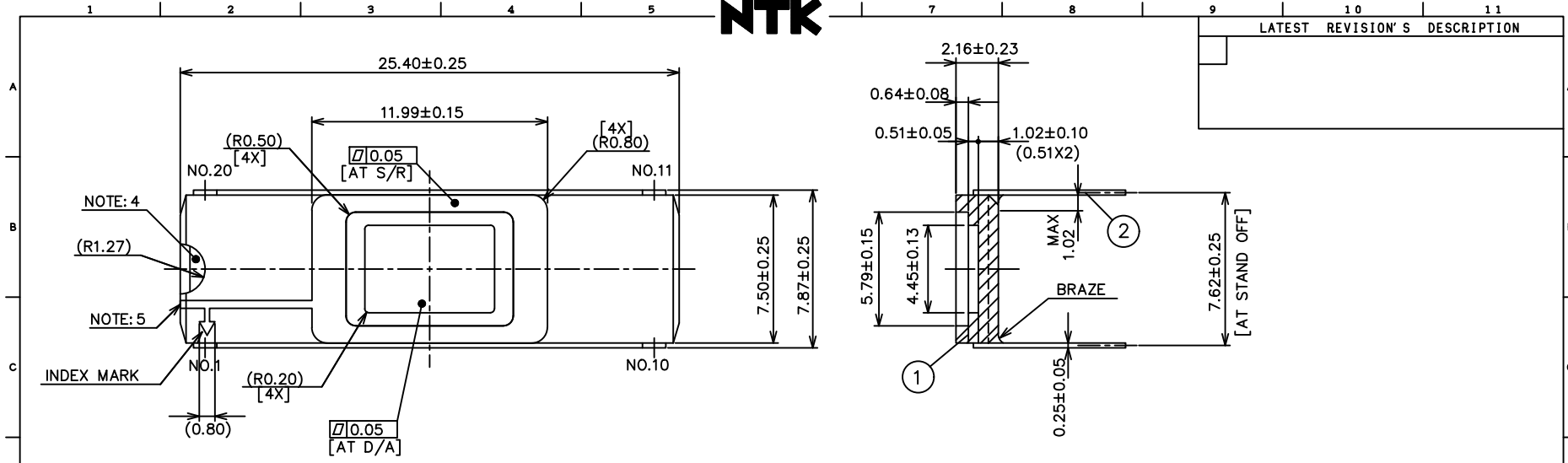




9	10	11
LATEST REVISION		DESCRIPTION



- NOTES:
1. GOLD PLATE 1.5µm MIN OVER 2.0µm MIN NICKEL.
 2. NO LEAD TO BE ELECTRICALLY CONNECTED TO THE DIE ATTACH PAD. SEAL RING ISOLATED.
 3. NTK SPEC YS-1002 SHALL APPLY.
 4. NOTCH METALLIZE TO BE CONNECTED TO THE DIE ATTACH PAD.
 5. PLATING TIE BAR TO BE BROKEN AT CERAMIC END AFTER PACKAGE PLATING.

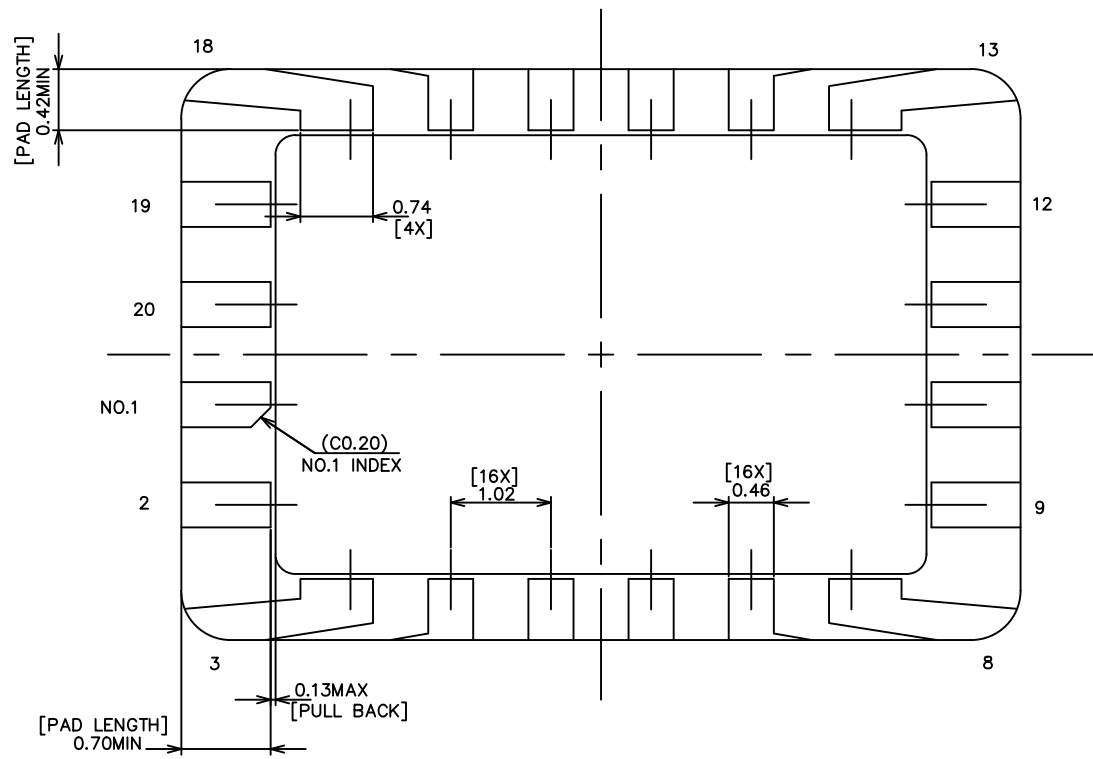
③					
②	LEAD	ALLOY42			
①	CERAMIC	BA-914		Ø NEW DRAWING	JUN.-27-2019
Item Name		Material	Description	Rev.	Date
UNLESS OTHERWISE SPECIFIED			DRAWN	S.OKADA	NTK CERAMIC Co., Ltd.
TOLERANCES: ± 1%			CHECKED	T.MIZUTANI	TITLE
N. L. T. 1 DECIMALS X.X ±0.25			APPROVED	T.MIZUTANI	20 LEAD S/B PACKAGE
CUSTOMER			UNIT	MM	DWG NO.
NTK OPEN			SCALE	/	IDK20F1-6268E
DWG NO.					

MODIFIED DWG NO.



NTK

9	10	11
LATEST REVISION'S		DESCRIPTION



B/G PADS DETAIL

*IT SHALL BE ALLOWED WITH OR WITHOUT METALLIZATION AT THE EDGE OF CAVITY.(M-2 PATTERN)

MODIFIED DWG NO. 1

UNLESS OTHERWISE SPECIFIED
 TOLERANCES: ± 1%
 N. L. T. 1 DECIMALS X.X ± 0.25
 2 DECIMALS X.XX ± 0.13

DRAWN S.OKADA
 CHECKED T.MIZUTANI
 APPROVED T.MIZUTANI
 UNIT MM
 SCALE /

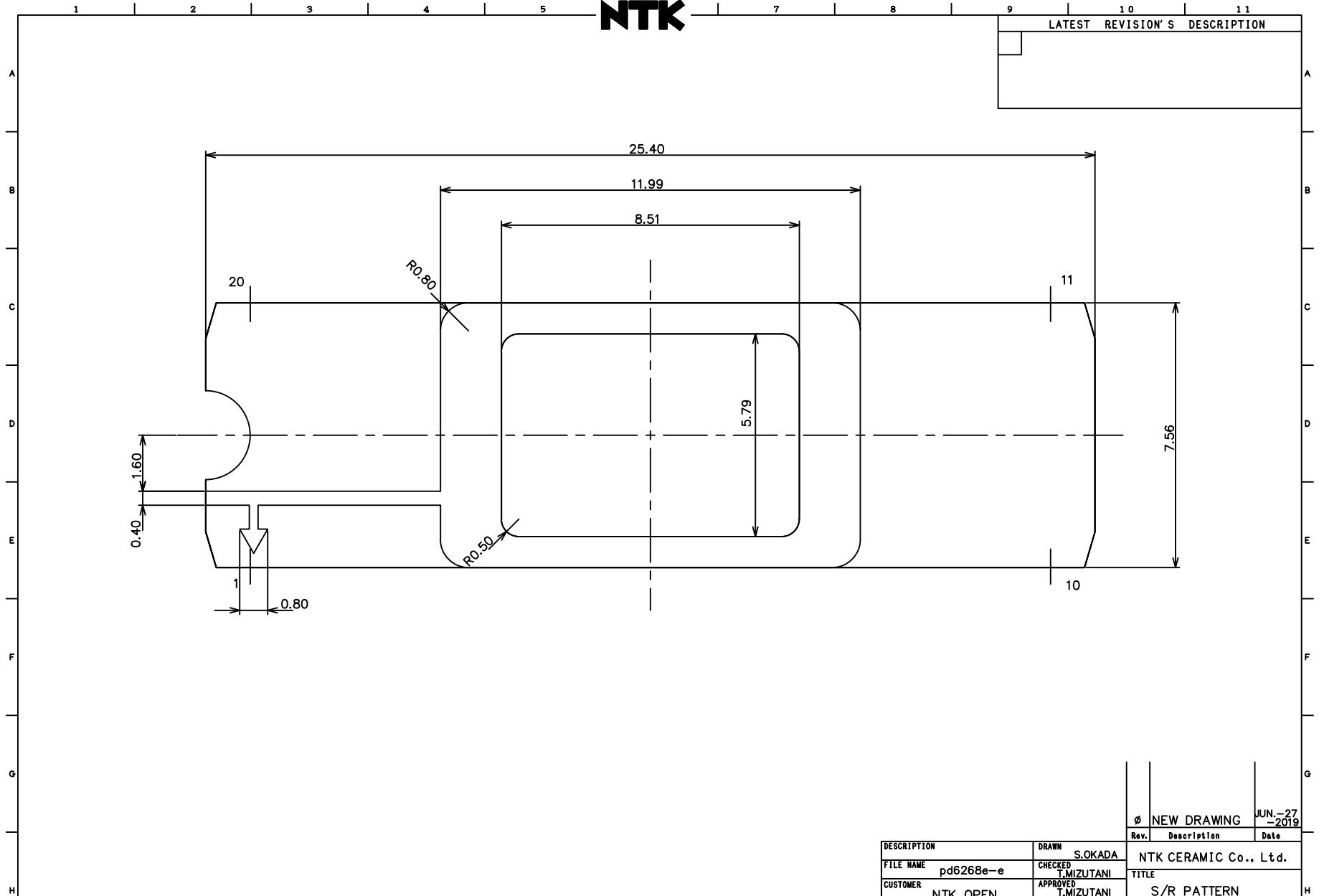
	NEW DRAWING	JUN-27-2019
Rev.	Description	Date
	NTK CERAMIC Co., Ltd.	
TITLE		
B/G PADS DETAIL		
DWG NO.		IDK20F1-6268E

PART NO. SHEET 2 OF 2



NTK

9	10	11
LATEST REVISION'S		DESCRIPTION



MODIFIED	
DWG NO.	

DESCRIPTION	DRAWN	S.OKADA	NTK CERAMIC Co., Ltd.
FILE NAME	CHECKED	T.MIZUTANI	TITLE
CUSTOMER	APPROVED	T.MIZUTANI	S/R PATTERN
DWG NO.	UNIT	MM	DWG NO.
	SCALE	1:1	P-IDK-6268E-3

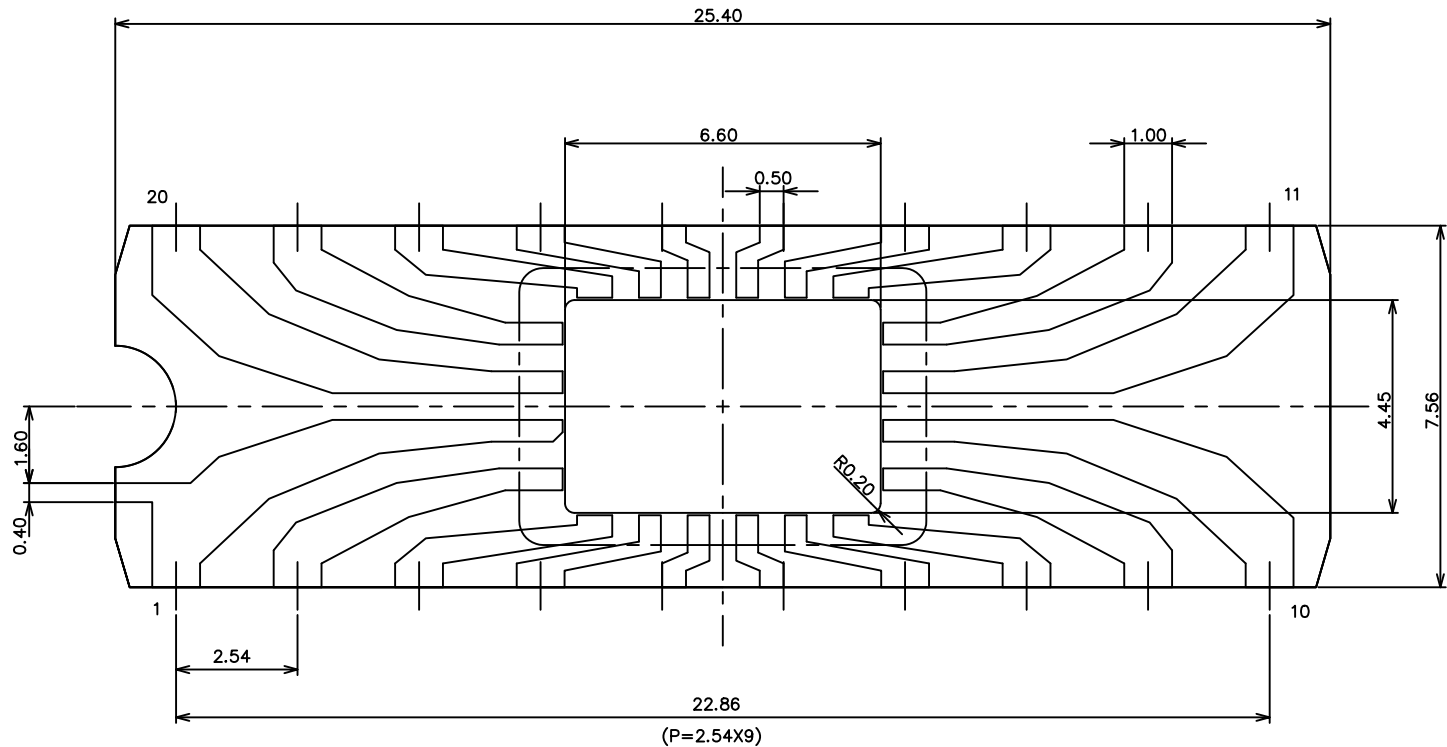
Rev.	Description	Date
	NEW DRAWING	JUN-27-2019

PART NO.	SHEET	OF
----------	-------	----



NTK

LATEST REVISION'S DESCRIPTION		



MODIFIED
DWG NO.

1 2 3 4 5 6 7 8

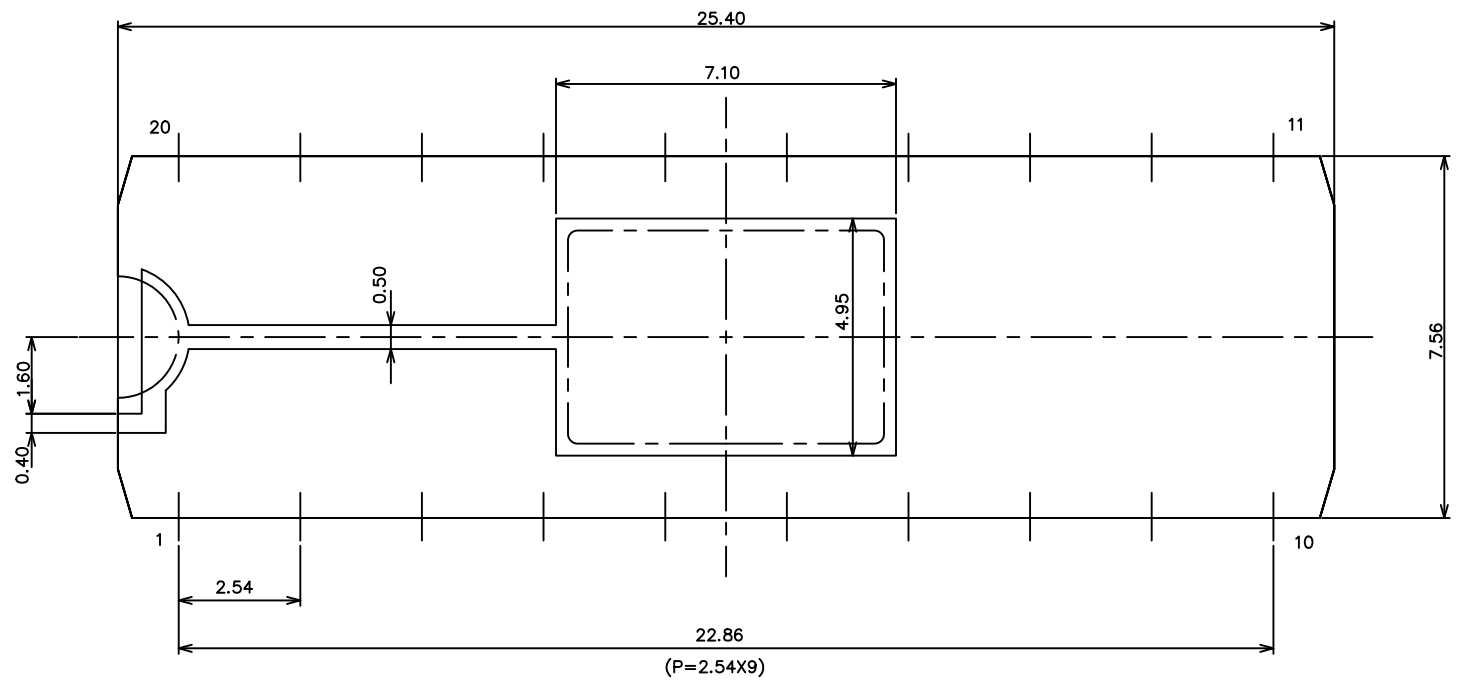
DESCRIPTION	DRAWN	S.OKADA	Rev.	NEW DRAWING	Date	JUN.-27 -2019
FILE NAME	CHECKED	T.MIZUTANI	Description	NTK CERAMIC Co., Ltd.		
CUSTOMER	APPROVED	T.MIZUTANI	TITLE			
DWG NO.	UNIT	MM	B/G PATTERN			
	SCALE	1/1	P-IDK-6268E-2			

PART NO. SHEET OF



NTK

LATEST REVISION'S		DESCRIPTION
10		
11		



MODIFIED DWG NO. 1 2

DESCRIPTION	DRAWN S.OKADA	NEW DRAWING	JUN-27-2019
FILE NAME pd6268e-e	CHECKED T.MIZUTANI	Rev.	Description
CUSTOMER NTK OPEN	APPROVED T.MIZUTANI		Date
DWG NO.	UNIT MM	TITLE	
	SCALE	D/A PATTERN	
		P-IDK-6268B-1	

PART NO. SHEET OF

