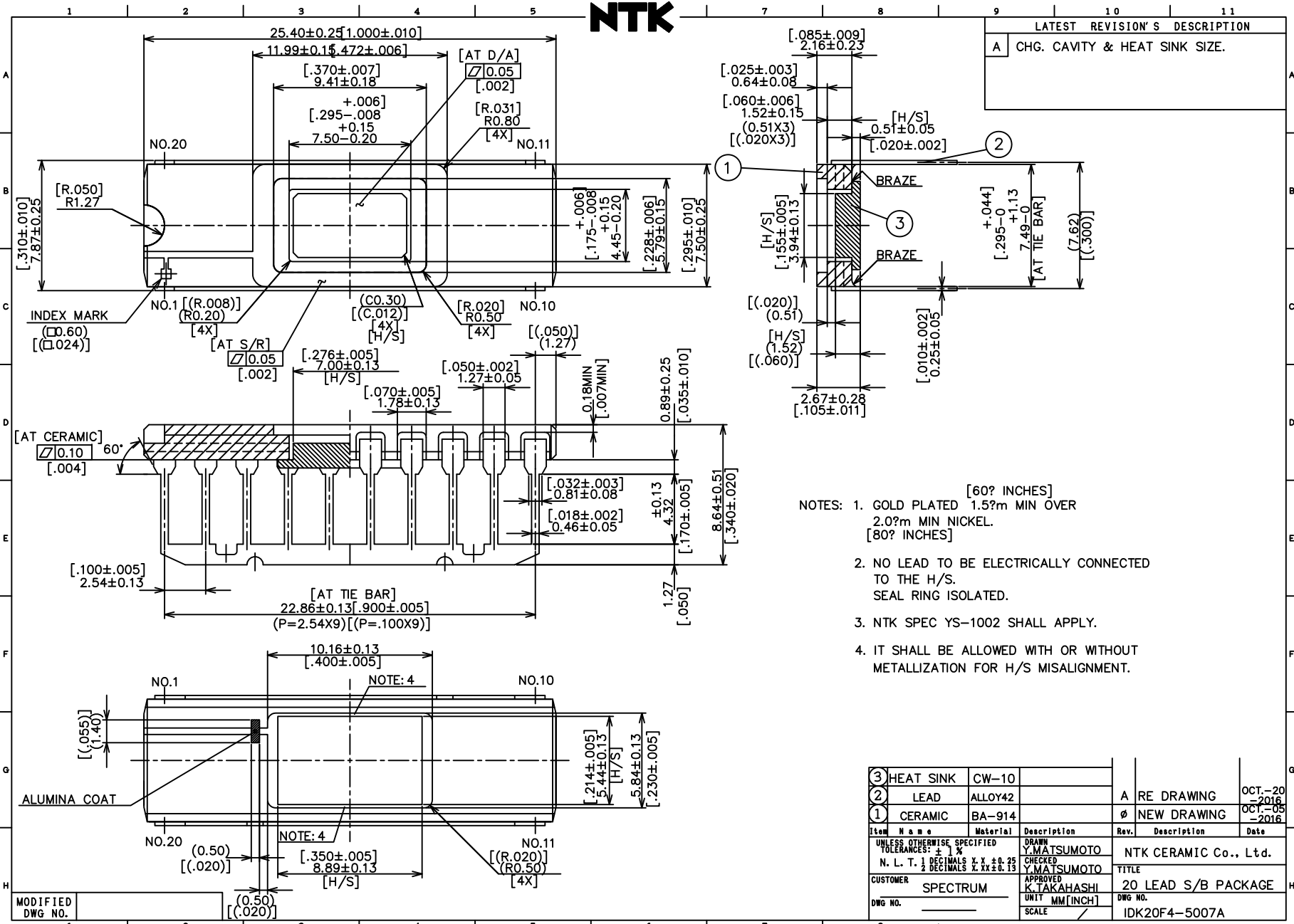


NTK



LATEST REVISION'S DESCRIPTION	
A	CHG. CAVITY & HEAT SINK SIZE.

- NOTES:
1. GOLD PLATED [60? INCHES]
2.0?m MIN NICKEL.
[80? INCHES]
 2. NO LEAD TO BE ELECTRICALLY CONNECTED TO THE H/S. SEAL RING ISOLATED.
 3. NTK SPEC YS-1002 SHALL APPLY.
 4. IT SHALL BE ALLOWED WITH OR WITHOUT METALLIZATION FOR H/S MISALIGNMENT.

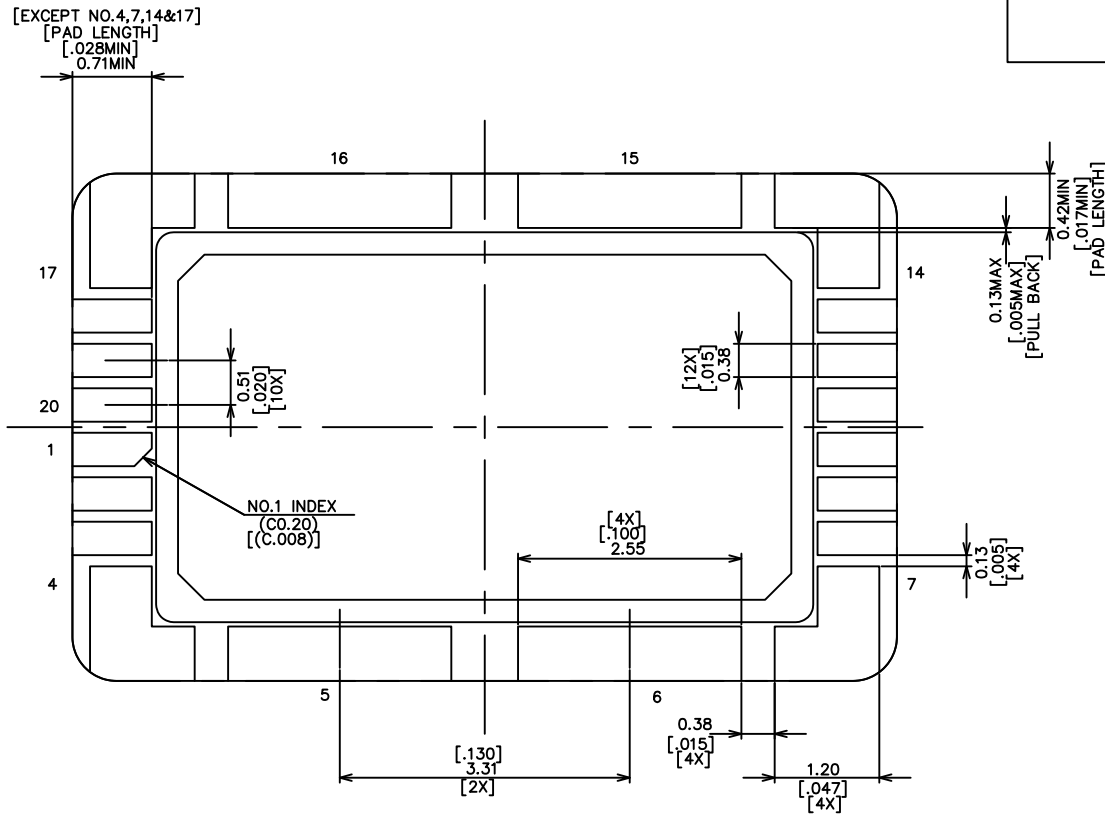
Item	Name	Material	Description	Rev.	Description	Date
3	HEAT SINK	CW-10				
	LEAD	ALLOY42		A	RE DRAWING	OCT.-20-2016
1	CERAMIC	BA-914		Ø	NEW DRAWING	OCT.-05-2016
UNLESS OTHERWISE SPECIFIED TOLERANCES: ± 1%			DRAWN	NTK CERAMIC Co., Ltd.		
N. L. T. 1 DECIMALS X.X ± 0.25			CHECKED	TITLE		
2 DECIMALS X.XX ± 0.13			Y.MATSUMOTO	20 LEAD S/B PACKAGE		
CUSTOMER SPECTRUM			APPROVED	DWG NO.		
DWG NO.			K.TAKAHASHI	UNIT MM [INCH]		
			SCALE	IDK20F4-5007A		

PART NO. SHEET 1 OF 2



NTK

LATEST REVISIONS DESCRIPTION	
A	CHG. B/G PADS DESIGN.



B/G PADS DETAIL

Rev.	Description	Date
A	RE DRAWING	OCT.-20-2016
φ	NEW DRAWING	OCT.-16-2016

UNLESS OTHERWISE SPECIFIED TOLERANCES: ± 1% N. L. T. 2 DECIMALS X, Y, Z, Ø, R, S 1/2 DECIMALS X, Y, Z, Ø, R, S	DRAWN Y. MATSUMOTO CHECKED Y. MATSUMOTO	NTK CERAMIC Co., Ltd.
CUSTOMER SPECTRUM	APPROVED K. TAKAHASHI	TITLE B/G PADS DETAIL
DWG NO.	UNIT MM [INCH]	DWG NO. IDK20F4-5007A
	SCALE	

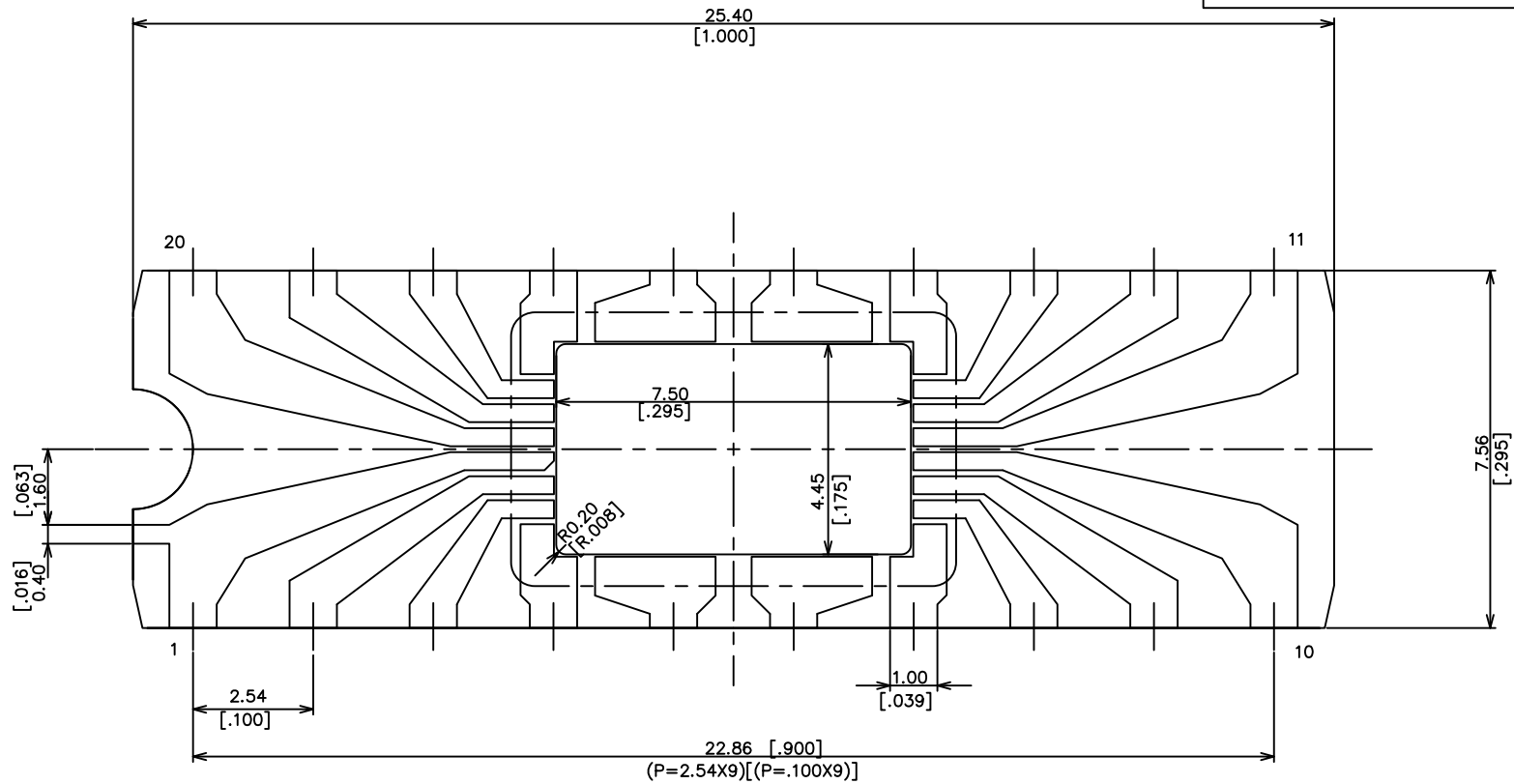
MODIFIED DWG NO.
1

PART NO. SHEET 2 OF 2



NTK

LATEST REVISIONS DESCRIPTION		
A	CHG. PATTERN DESIGN.	



Rev.	Description	Date
A	RE DRAWING	OCT-20-2016
Ø	NEW DRAWING	OCT-05-2016

DESCRIPTION	DRAWN	Y.MATSUMOTO
FILE NAME	CHECKED	Y.MATSUMOTO
CUSTOMER	APPROVED	K.TAKAHASHI
DWG NO.	UNIT	MM [INCH]
	SCALE	/

NTK CERAMIC Co., Ltd.	
TITLE	B/G PATTERN
DWG NO.	P-IDK-5007A-1

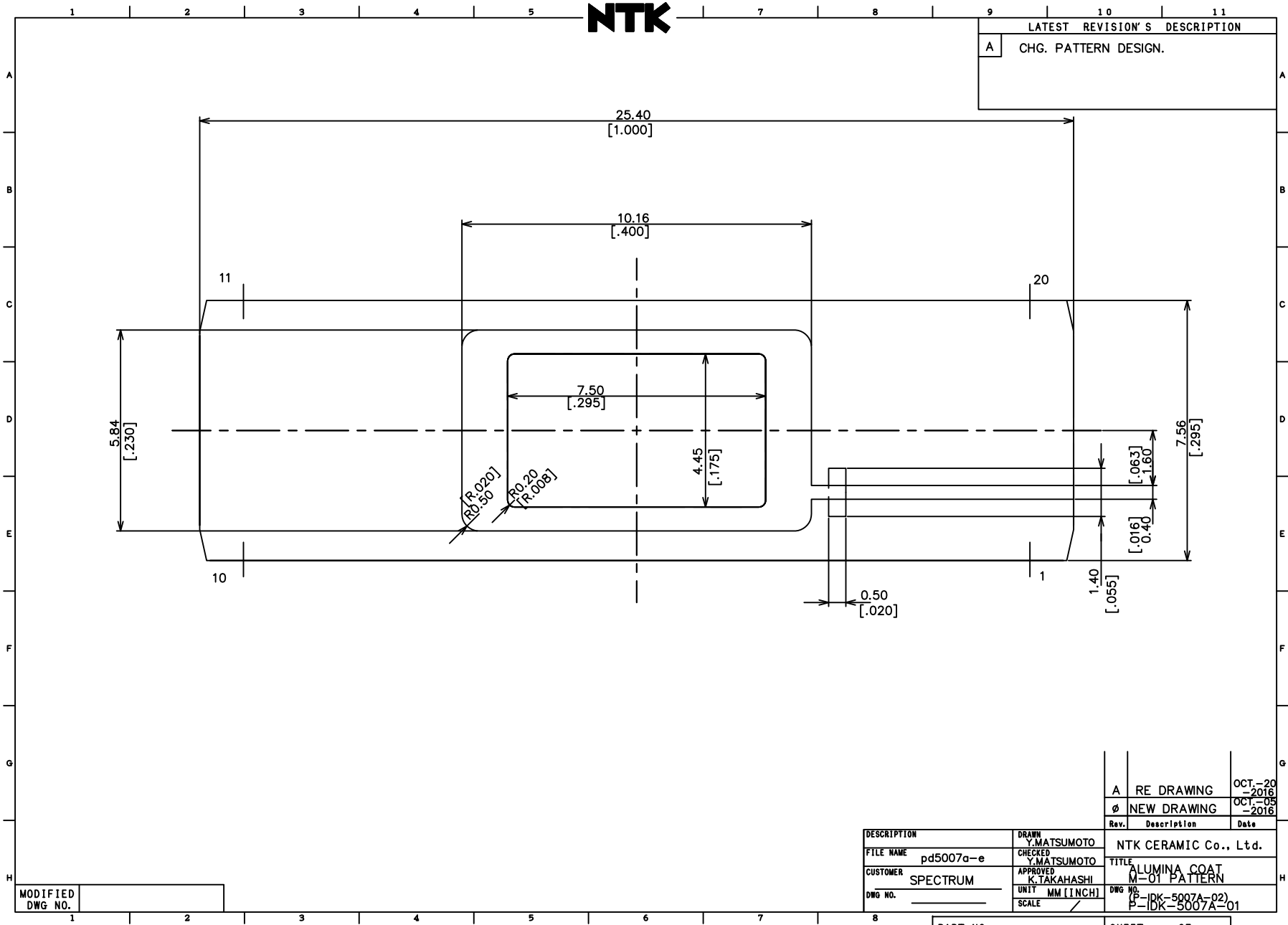
MODIFIED DWG NO.
1

PART NO. SHEET OF



NTK

LATEST REVISION'S DESCRIPTION		
A	CHG. PATTERN DESIGN.	



MODIFIED	
DWG NO.	

Rev.	Description	Date
A	RE DRAWING	OCT-20-2016
φ	NEW DRAWING	OCT-05-2016

DESCRIPTION	DRAWN	Y.MATSUMOTO	TITLE	NTK CERAMIC Co., Ltd.
FILE NAME	CHECKED	Y.MATSUMOTO	TITLE	ALUMINA COAT
CUSTOMER	APPROVED	K.TAKAHASHI	TITLE	M-01 PATTERN
DWG NO.	UNIT	MM [INCH]	DWG NO.	P-IDK-5007A-02)
	SCALE	/	DWG NO.	P-IDK-5007A-01

PART NO. SHEET OF



