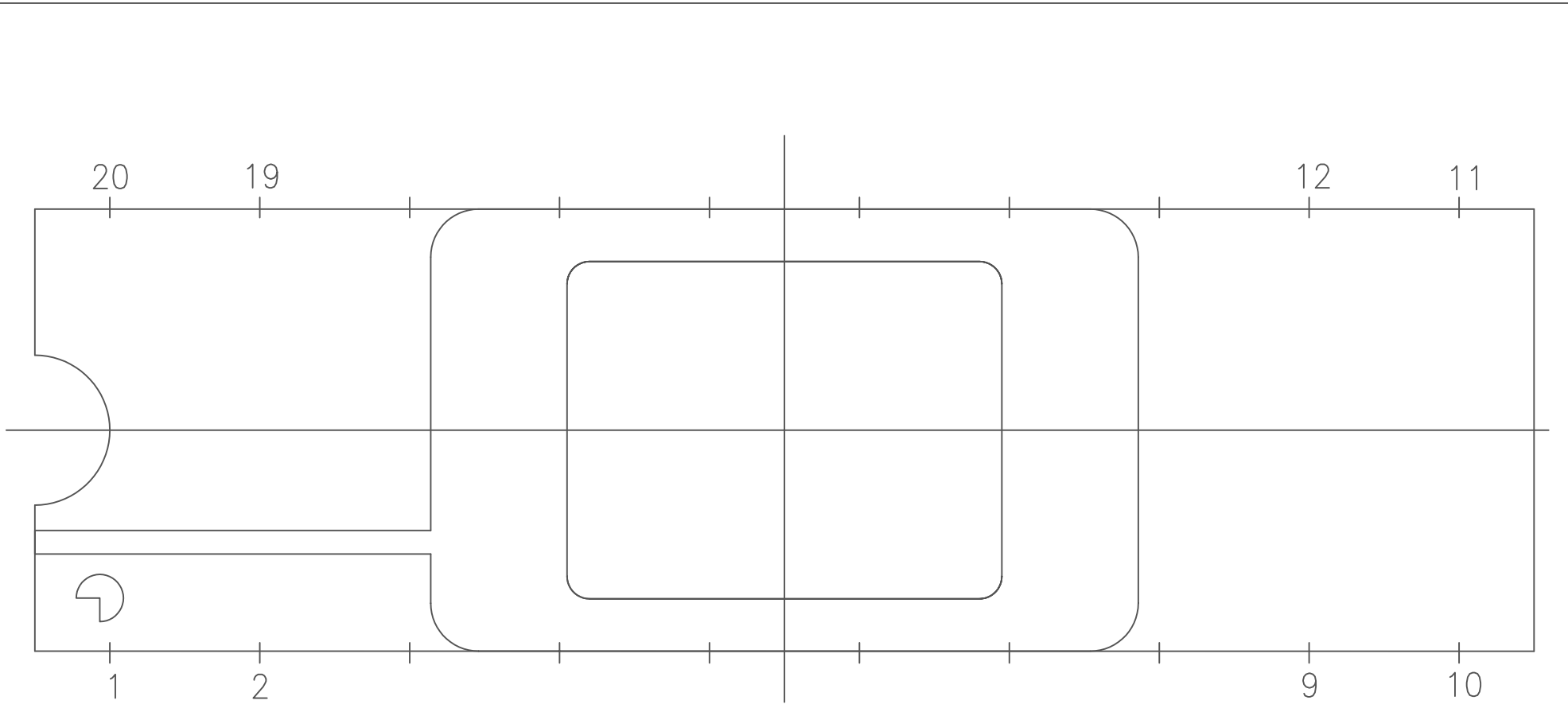


CONTROLLED 12-16-02

MODIFICATION						NAME	TOLERANCE	DRAWN	CHECKED	APPROVED	DATE
						20 LEAD SIDE BRAZED PACKAGE	UNLESS OTHERWISE SPECIFIED	M.S	K.K	M.K	MAR.15.'89
						SCALE 20 / 1	MATERIAL				
							THIRD ANGLE PROJECTION				
	CHANGED	DATE	DRAWN	CHECKED	APPROVED		KYOCERA CORPORATION KYOTO JAPAN	DRAWING NO.	KD-S89210-B		SHEET 2/5

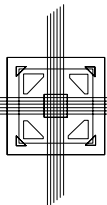




MP-1

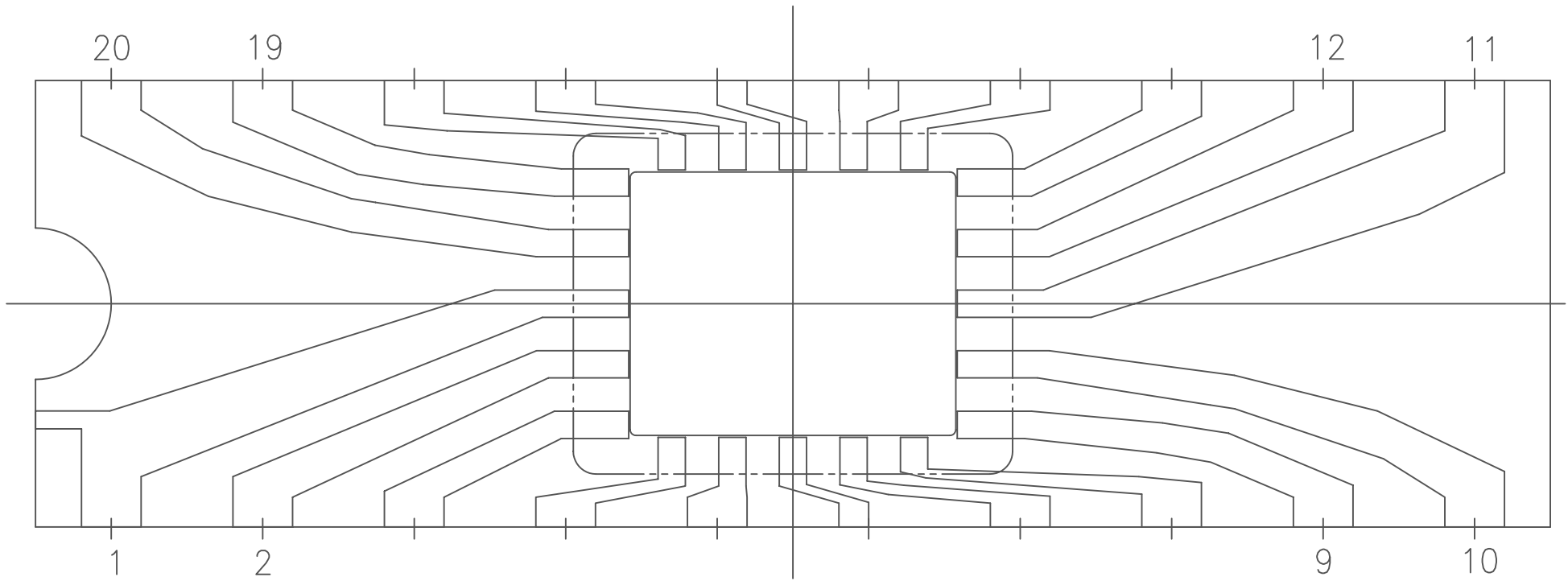
**CONTROLLED 12-16-02**

MODIFICATION						NAME	20 LEAD SIDE BRAZED PACKAGE	TOLERANCE	UNLESS OTHERWISE SPECIFIED	DRAWN	CHECKED	APPROVED	DATE
						SCALE	15 / 1	MATERIAL	AS INDICATED				MAR.15.'89
									THIRD ANGLE PROJECTION				
	△	ADDED:THIS SHEET	JAN.6.'01	T.S/H.K	H.TA/S.NI	H.SA		KYOCERA CORPORATION KYOTO JAPAN		DRAWING NO.		SHEET	
		CHANGED	DATE	DRAWN	CHECKED	APPROVED				KD-S89210-B		3 / 5	



**SPECTRUM**  
SEMICONDUCTOR MATERIALS, INC.

www.spectrum-semi.com Phone: 408.435.5555 Fax: 408.435.8226



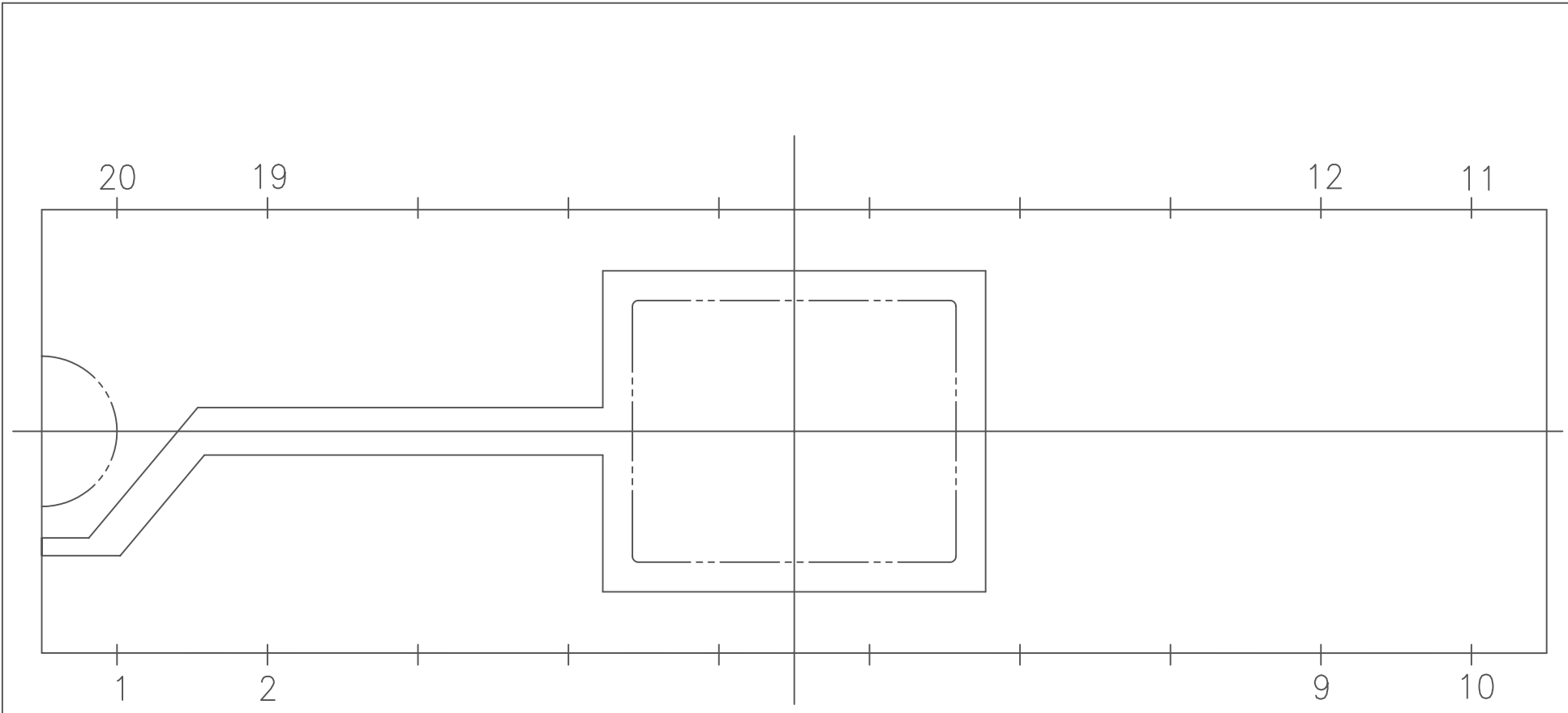
MP-2

**CONTROLLED 12-16-03**

MODIFICATION						NAME	TOLERANCE	DRAWN	CHECKED	APPROVED	DATE
						20 LEAD SIDE BRAZED PACKAGE	UNLESS OTHERWISE SPECIFIED	M.S	K.K	M.K	MAR.15.'89
						SCALE 15 / 1	MATERIAL AS INDICATED				
							THIRD ANGLE PROJECTION				
	△ ADDED: THIS SHEET	JWG.'01	T.S/H.K	H.TA/S.NI	H.SA	KYOCERA CORPORATION KYOTO JAPAN	DRAWING NO. KD-S89210-B			SHEET 4 / 5	
	CHANGED	DATE	DRAWN	CHECKED	APPROVED						



SSM P/N CSB02012



MP-3

CONTROLLED 12-16-02

MODIFICATION						NAME	TOLERANCE	DRAWN	CHECKED	APPROVED	DATE
						20 LEAD SIDE BRAZED PACKAGE	UNLESS OTHERWISE SPECIFIED	M.S	K.K	M.K	MAR.15.'89
						SCALE 15/1	MATERIAL AS INDICATED				
							THIRD ANGLE PROJECTION				
	ADDED: THIS SHEET	JUN.6.'01	T.S/H.K	H.TA/S.NI	H.SA	KYOCERA CORPORATION KYOTO JAPAN		DRAWING NO.		SHEET	
	CHANGED	DATE	DRAWN	CHECKED	APPROVED			KD-S89210-B		5/5	



www.spectrum-semi.com Phone: 408.435.5555 Fax: 408.435.8226