

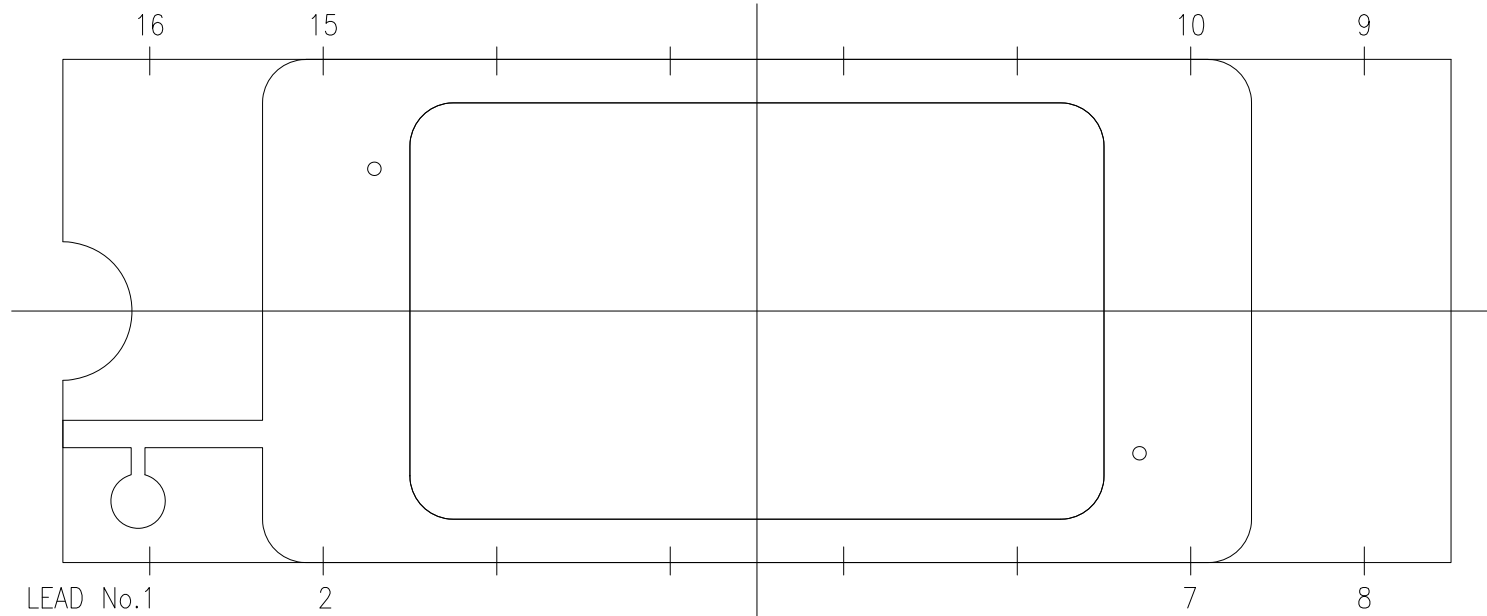
BONDING PATTERN

**KYOCERA CONFIDENTIAL**

MODIFICATION						APPROVALS			SCALE 20 / 1	PART NO.	
						DRAWN	CHECKED	APPROVED	TOLERANCE UNLESS OTHERWISE SPECIFIED	NAME 16 LEAD SIDE BRAZED PACKAGE	
	△	REDRAWN.	'21.05.11	Y.ON/J.TAC	K.I	H.B	Y.ON/J.TAC		THIRD ANGLE PROJECTION		
	—	FIRST REVISION.	'21.04.26	Y.ON/J.TAC	H.K	H.B			MATERIAL	DRAWING NO. KD-SC1468	
REV.	HISTORY	DATE	DRAWN	CHECKED	APPROVED	<b>KYOCERA</b>		KYOCERA CORPORATION KYOTO JAPAN		REV. A	SHEET 2 / 6

A3(297X420)





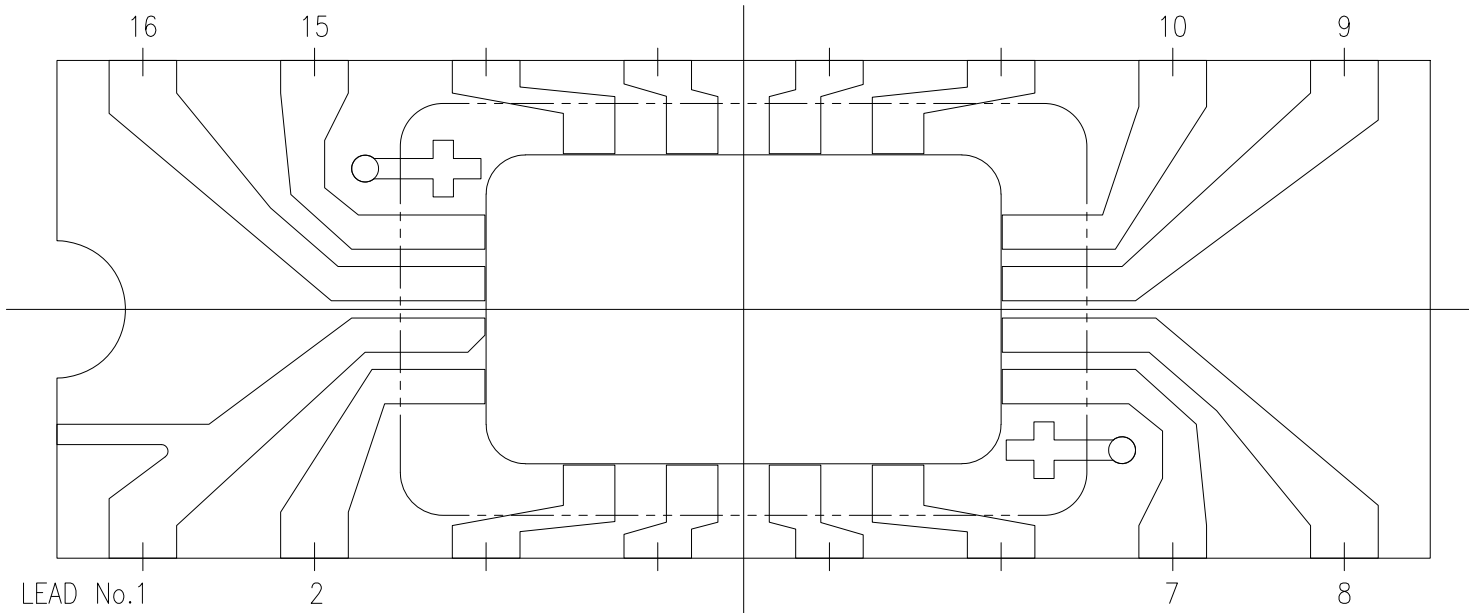
MP-1

**KYOCERA CONFIDENTIAL**

MODIFICATION						APPROVALS			SCALE 15/1	PART NO.		
						DRAWN	CHECKED	APPROVED	TOLERANCE UNLESS OTHERWISE SPECIFIED	NAME		
						'21.05.11 Y.ON/J.TAC			THIRD ANGLE PROJECTION	16 LEAD SIDE BRAZED PACKAGE		
	FIRST REVISION.	'21.04.26	Y.ON/J.TAC	H.K	H.B			KYOCERA CORPORATION KYOTO JAPAN	MATERIAL	DRAWING NO.	REV.	SHEET
REV.	HISTORY	DATE	DRAWN	CHECKED	APPROVED					KD-SC1468	A	3/6

A3(297X420)





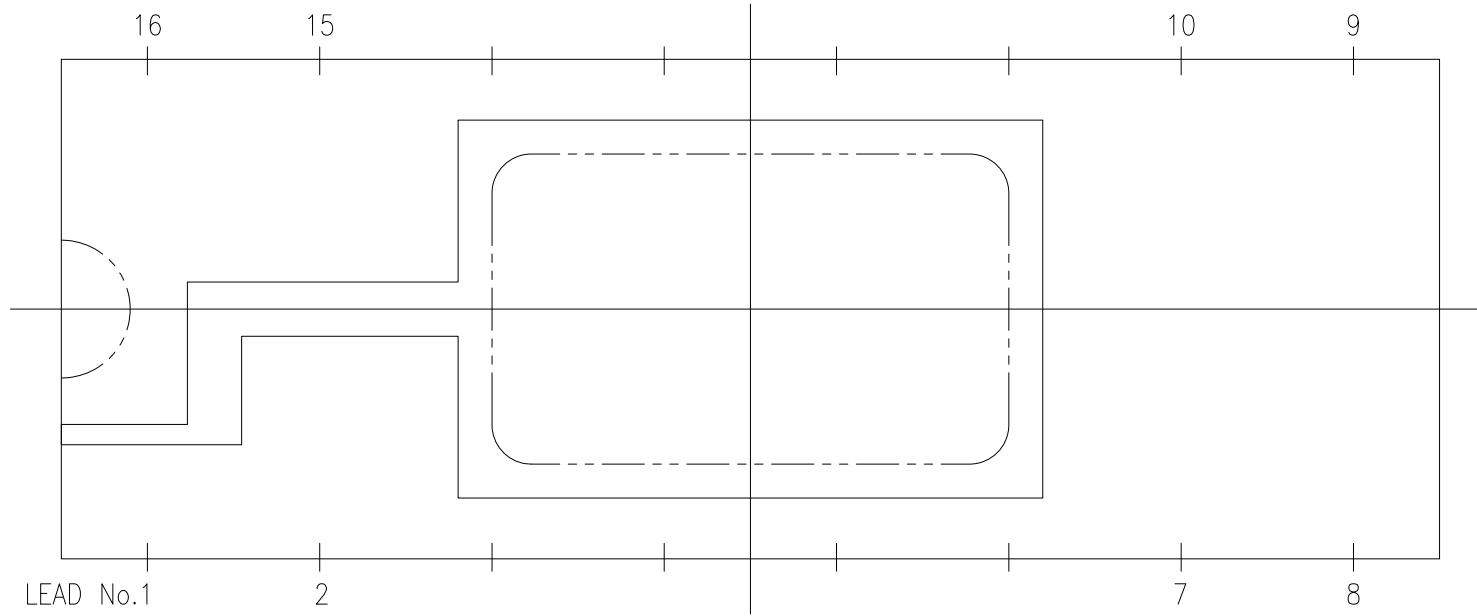
MP-2

**KYOCERA CONFIDENTIAL**

MODIFICATION						APPROVALS			SCALE 15/1	PART NO.		
						DRAWN	CHECKED	APPROVED	TOLERANCE UNLESS OTHERWISE SPECIFIED	NAME 16 LEAD SIDE BRAZED PACKAGE		
						'21.05.11 Y.ON/J.TAC			THIRD ANGLE PROJECTION			
	FIRST REVISION.	'21.04.26	Y.ON/J.TAC	H.K	H.B	KYOCERA CORPORATION KYOTO JAPAN			MATERIAL	DRAWING NO. KD-SC1468	REV. A	SHEET 4/6
REV.	HISTORY	DATE	DRAWN	CHECKED	APPROVED							

A3(297X420)





MP-3

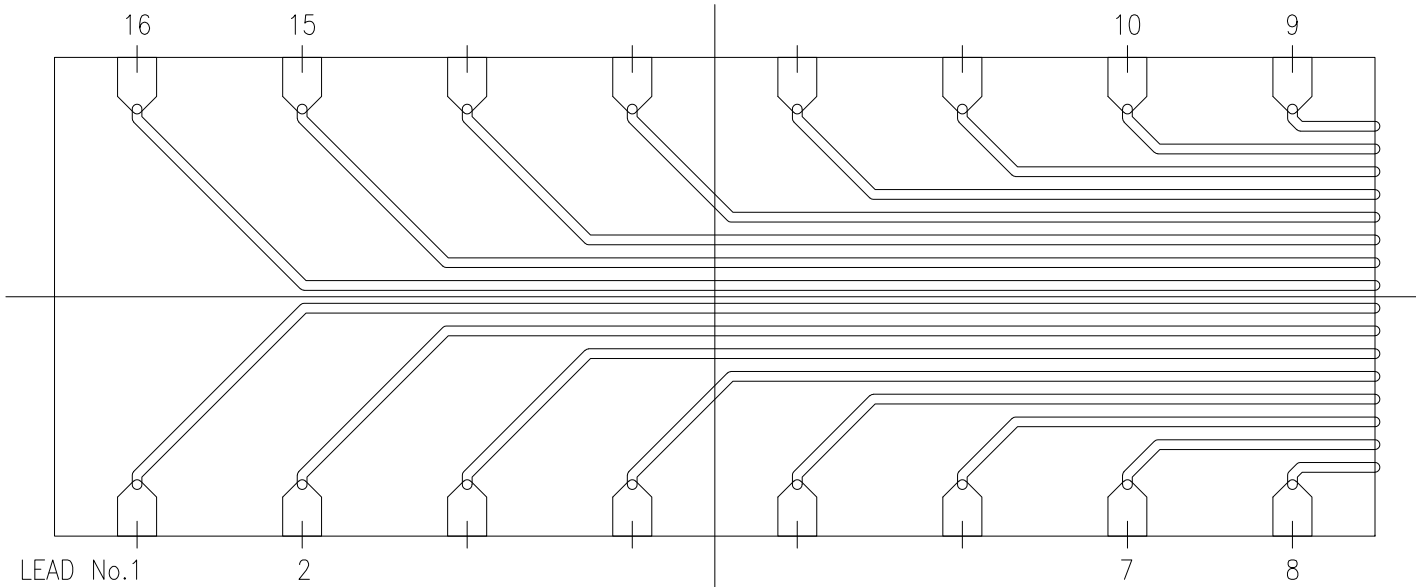
**KYOCERA CONFIDENTIAL**

MODIFICATION						APPROVALS			SCALE 15/1	PART NO.		
						DRAWN	CHECKED	APPROVED	TOLERANCE UNLESS OTHERWISE SPECIFIED	NAME 16 LEAD SIDE BRAZED PACKAGE		
						'21.05.11 Y.ON/J.TAC			THIRD ANGLE PROJECTION			
	FIRST REVISION.	'21.04.26	Y.ON/J.TAC	H.K	H.B			KYOCERA CORPORATION KYOTO JAPAN	MATERIAL	DRAWING NO. KD-SC1468	REV. A	SHEET 5/6
REV.	HISTORY	DATE	DRAWN	CHECKED	APPROVED							

A3(297X420)



SSM P/N CSB01666



MP-4

**KYOCERA CONFIDENTIAL**

MODIFICATION						APPROVALS			SCALE 15 / 1	PART NO.	
						DRAWN	CHECKED	APPROVED	TOLERANCE UNLESS OTHERWISE SPECIFIED	NAME 16 LEAD SIDE BRAZED PACKAGE	
						'21.05.11 Y.ON/J.TAC			THIRD ANGLE PROJECTION	DRAWING NO. KD-SC1468	
	— FIRST REVISION.	'21.04.26	Y.ON/J.TAC	H.K	H.B	KYOCERA	KYOCERA CORPORATION KYOTO JAPAN			MATERIAL	REV. A
REV.	HISTORY				DATE	DRAWN	CHECKED	APPROVED			

A3(297X420)



www.spectrum-semi.com Ph: 408.435.5555 Email: [ssm\\_sales@spectrum-semi.com](mailto:ssm_sales@spectrum-semi.com)