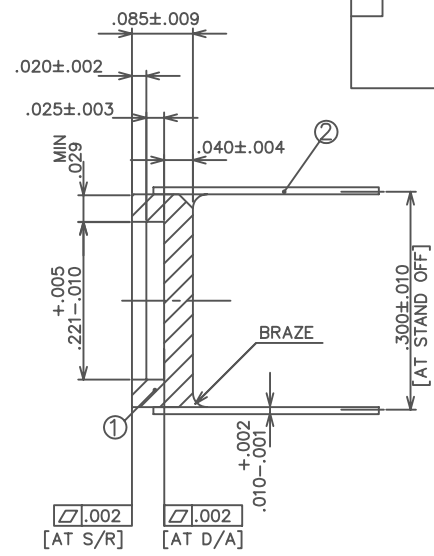
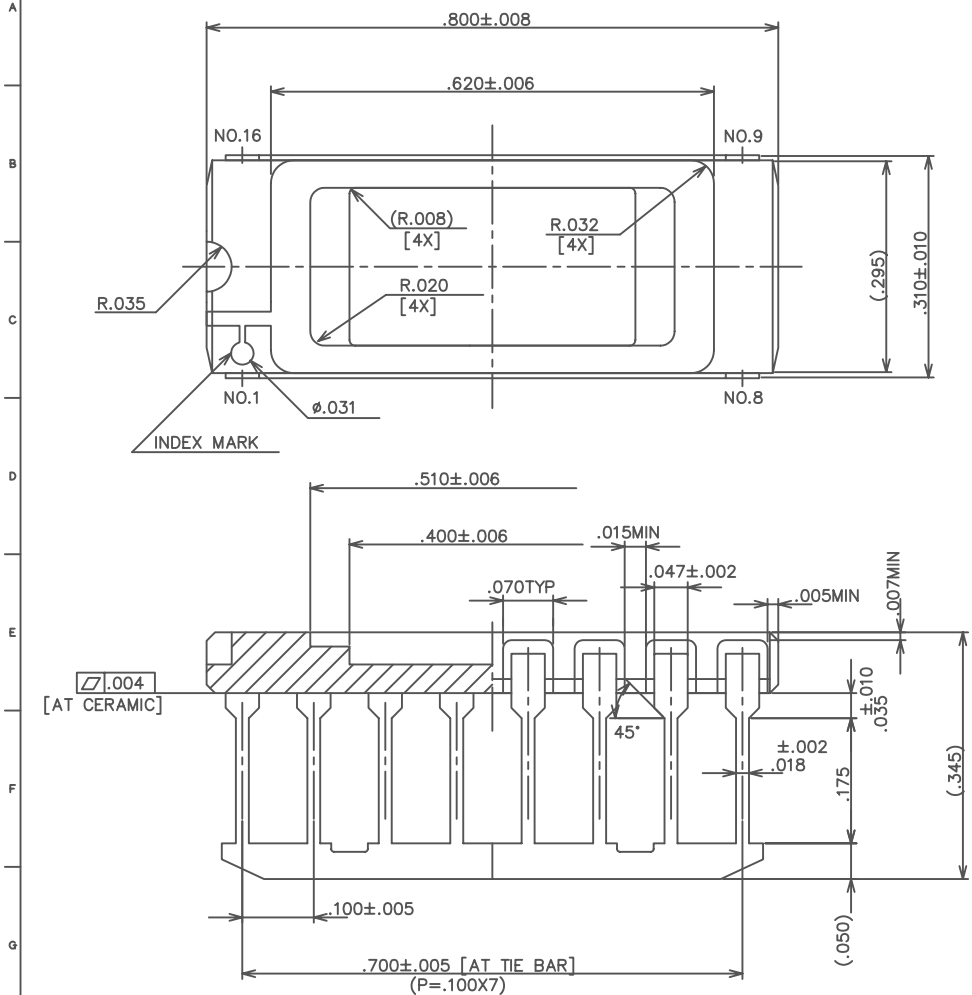


SSM P/N CSB01652

NTK

LATEST REVISION'S DESCRIPTION



- NOTES:
1. GOLD PLATE 80? INCHES MIN OVER 100? INCHES MIN NICKEL.
 2. THE DIE ATTACHI PAD ISOLATED. SEAL RING ISOLATED.
 3. LEAD RESISTANCE: 200m?MAX.

MODIFIED DWG NO.

3					
2	LEAD	ALLOY42			
1	CERAMIC	BLACK ALUMINA			
Item	Name	Material	Description	Rev.	Date
UNLESS OTHERWISE SPECIFIED			DRAWN	M.MIZUNO	NTK
TOLERANCES: ± 1%			CHECKED	T.NOMURA	NGK SPARK PLUG CO., LTD.
N. L. T. 2 DECIMALS .XX ±0.25			TITLE		
3 DECIMALS .XXX ±0.13			APPROVED	T.NOMURA	16 LEAD S/B PKG
CUSTOMER	SPECTRUM		UNIT	MM	DWG NO.
DWG NO.			SCALE	/	IDK16F1-494CAL

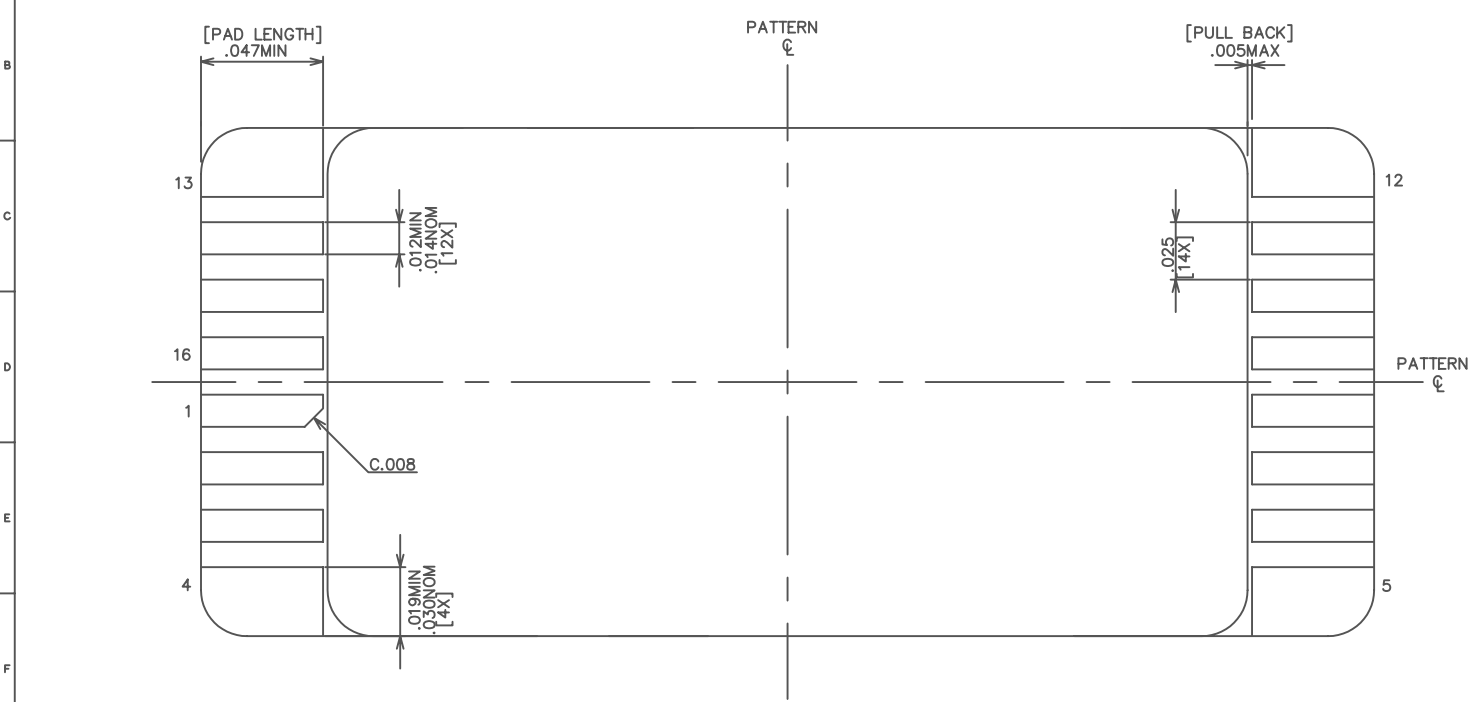
PART NO. SHEET 1 OF 2



SSM P/N CSB01652

NTK

LATEST REVISION'S DESCRIPTION	



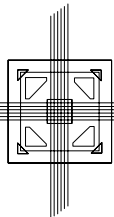
MODIFIED
DWG NO. 1 2 3 4 5 6 7 8

UNLESS OTHERWISE SPECIFIED
TOLERANCES: ± 1/16
N. L. T. 2 DECIMALS - .XX ± 0.25
3 DECIMALS - .XXX ± 0.13

DRAWN M. MIZUNO
CHECKED T. NOMURA
APPROVED T. NOMURA
UNIT MM
SCALE /

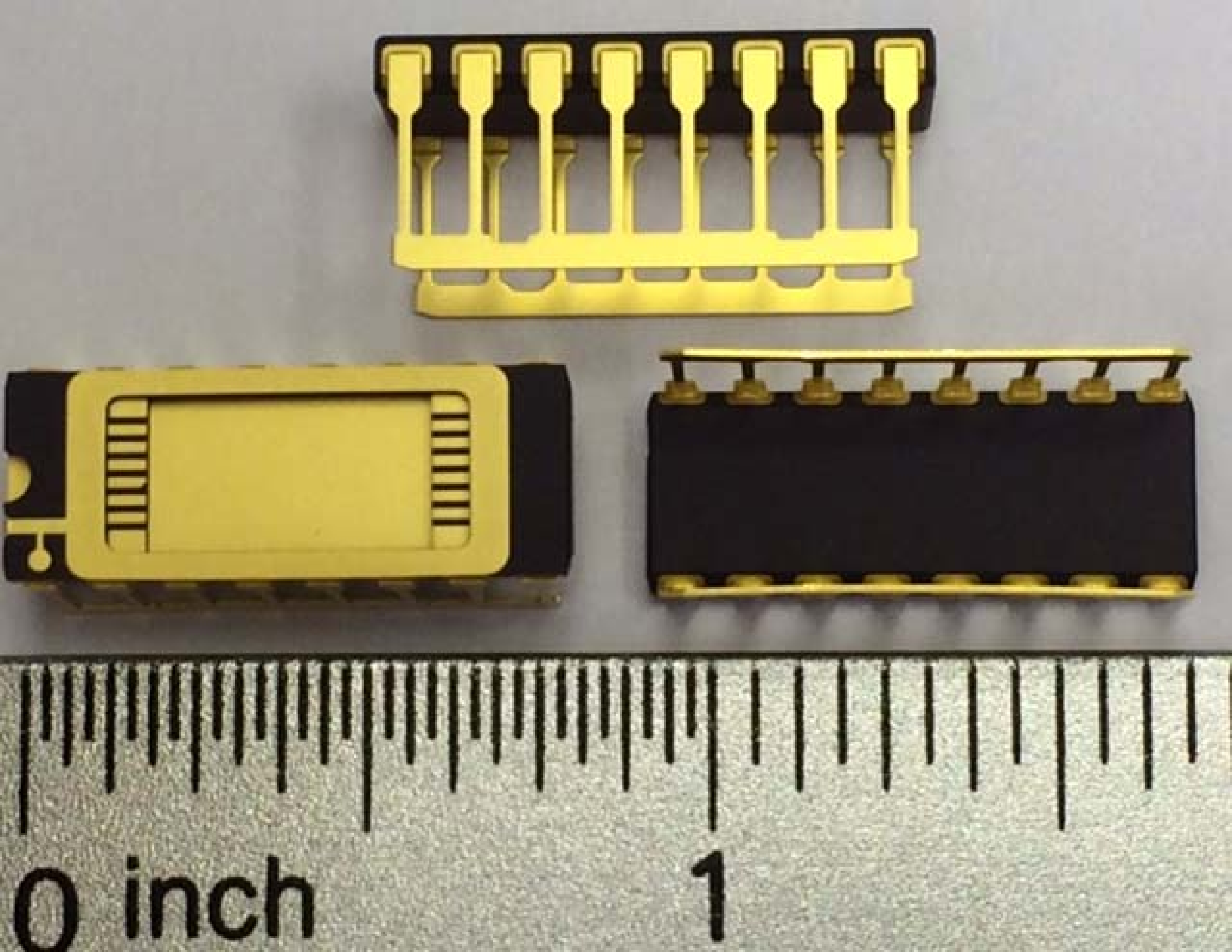
Rev.	Description	Date
	NEW DRAWING	OCT-15-2003
	NTK	
	NGK SPARK PLUG CO., LTD.	
	TITLE	
	B/G PADS DETAIL	
	DWG NO.	IDK16F1-494CAL

PART NO. SHEET 2 OF 2



SPECTRUM
SEMICONDUCTOR MATERIALS, INC.

www.spectrum-semi.com Phone: 408-435-5555 Fax: 408-435-8226



0 inch

1