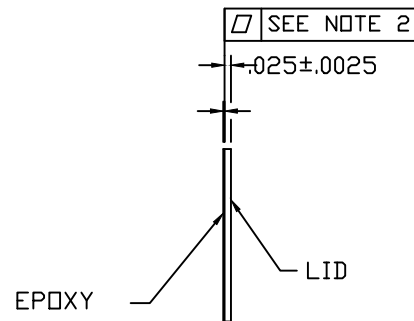
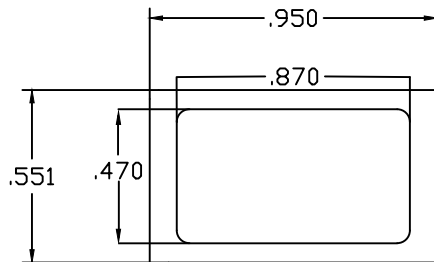


SSM P/N CR955503



NOTES

1. MAT'L : OPAQUE ALUMINA
2. FLATNESS TOL : +.004 / -.002
3. THK TOL: +/- .0015
4. EPOXY MATRIX BOND 1000 THK: 0.003" - 0.009" +/- .0005, WIDTH .050" +/- .010", PULLBACK FROM OUTER EDGE ALLOWED

DESCRIPTION CERAMIC LID	DRAWING NO. N/A
----------------------------	---------------------------

