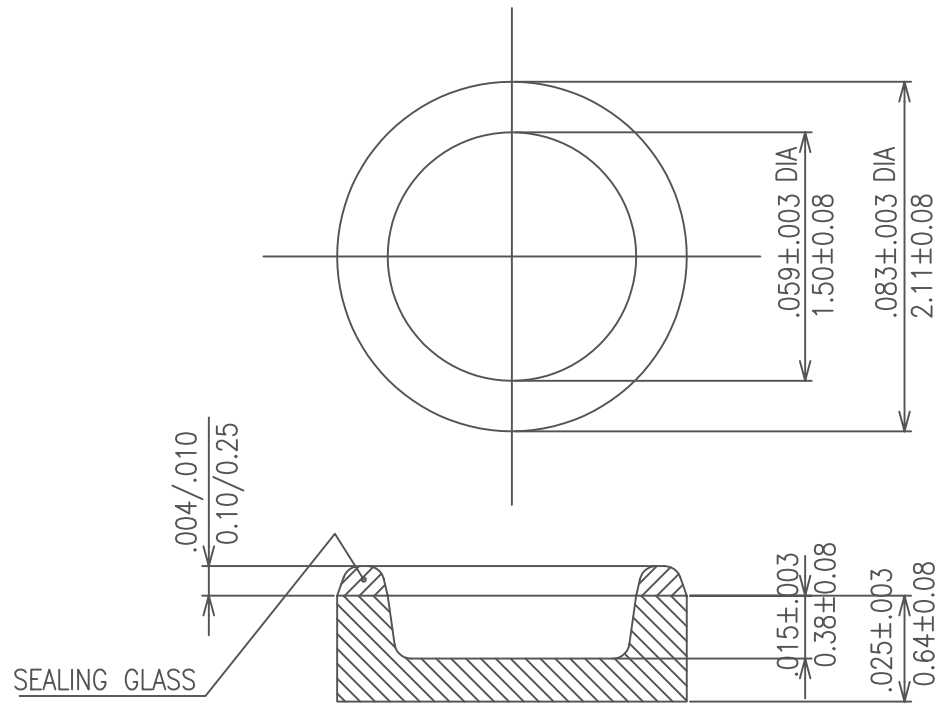



SSM P/N CR-08301



MODIFICATIONS	NAME MICRO PACKAGE LID		TOLERANCES UNLESS OTHERWISE SPECIFIED		DRAWN	CHECKED
	SCALE	MATERIAL			APPROVED	DATE
		AL ₂ O ₃ 92%MIN (WHITE)				NOV.25'88
	 KYOCERA CORPORATION KYOTO JAPAN		DWG.No	KGC-00206-1		

