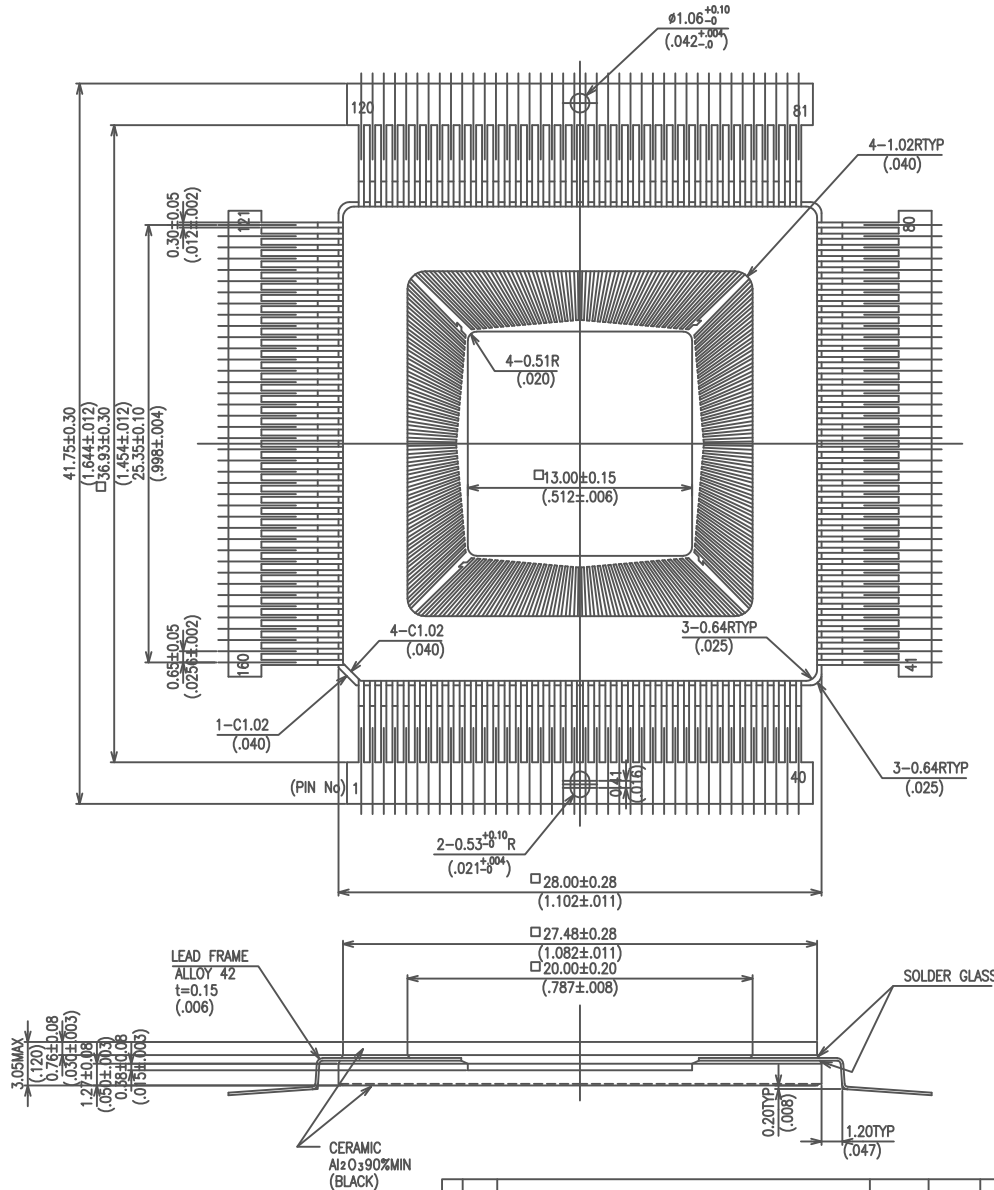
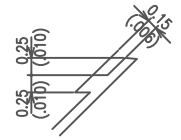


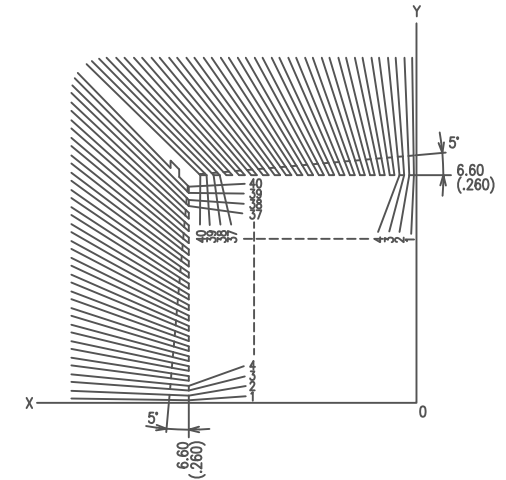
SSM P/N CQZ16010



No.	X or Y	No.	X or Y
1	0.075 (.003)	21	2.995 (.118)
2	0.208 (.008)	22	3.142 (.124)
3	0.358 (.014)	23	3.308 (.130)
4	0.491 (.019)	24	3.458 (.138)
5	0.642 (.025)	25	3.627 (.143)
6	0.775 (.031)	26	3.780 (.149)
7	0.926 (.038)	27	3.953 (.156)
8	1.061 (.042)	28	4.109 (.162)
9	1.213 (.048)	29	4.286 (.169)
10	1.348 (.053)	30	4.446 (.175)
11	1.501 (.059)	31	4.627 (.182)
12	1.638 (.064)	32	4.791 (.189)
13	1.792 (.071)	33	4.977 (.196)
14	1.930 (.076)	34	5.145 (.203)
15	2.087 (.082)	35	5.336 (.210)
16	2.227 (.088)	36	5.508 (.217)
17	2.385 (.094)	37	5.705 (.225)
18	2.527 (.099)	38	5.881 (.232)
19	2.688 (.106)	39	6.084 (.240)
20	2.832 (.111)	40	6.266 (.247)



TARGET MARK
No.1,41,81,121PIN



MODIFICATIONS	CHANGE	DATE	DRAWN	CHECKED	APPROVED

NAME 160LD QUAD K-PACK'Z'(13.0SQ)	TOLERANCES: UNLESS OTHERWISE SPECIFIED	DRAWN	CHECKED
SCALE 5:1	MATERIAL	APPROVED	DATE JUN.09'87
KYOCERA CORPORATION KYOTO JAPAN		DWG No. QC-160305-WZ	

