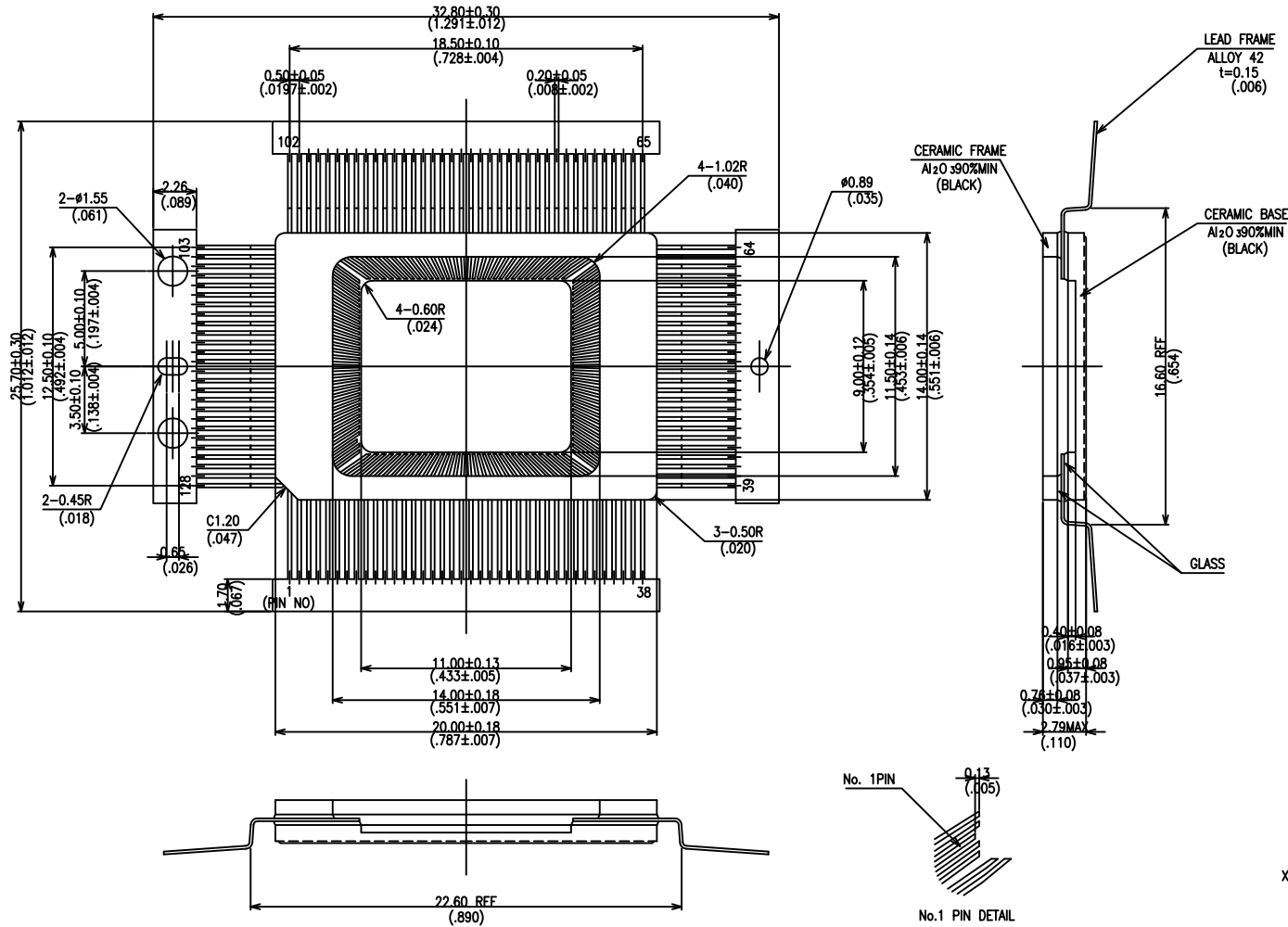
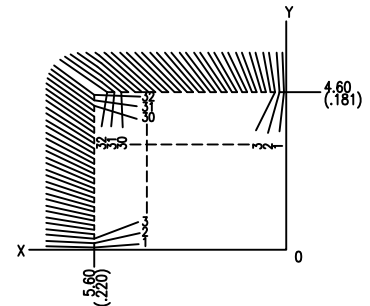


SSM P/N CQZ12807



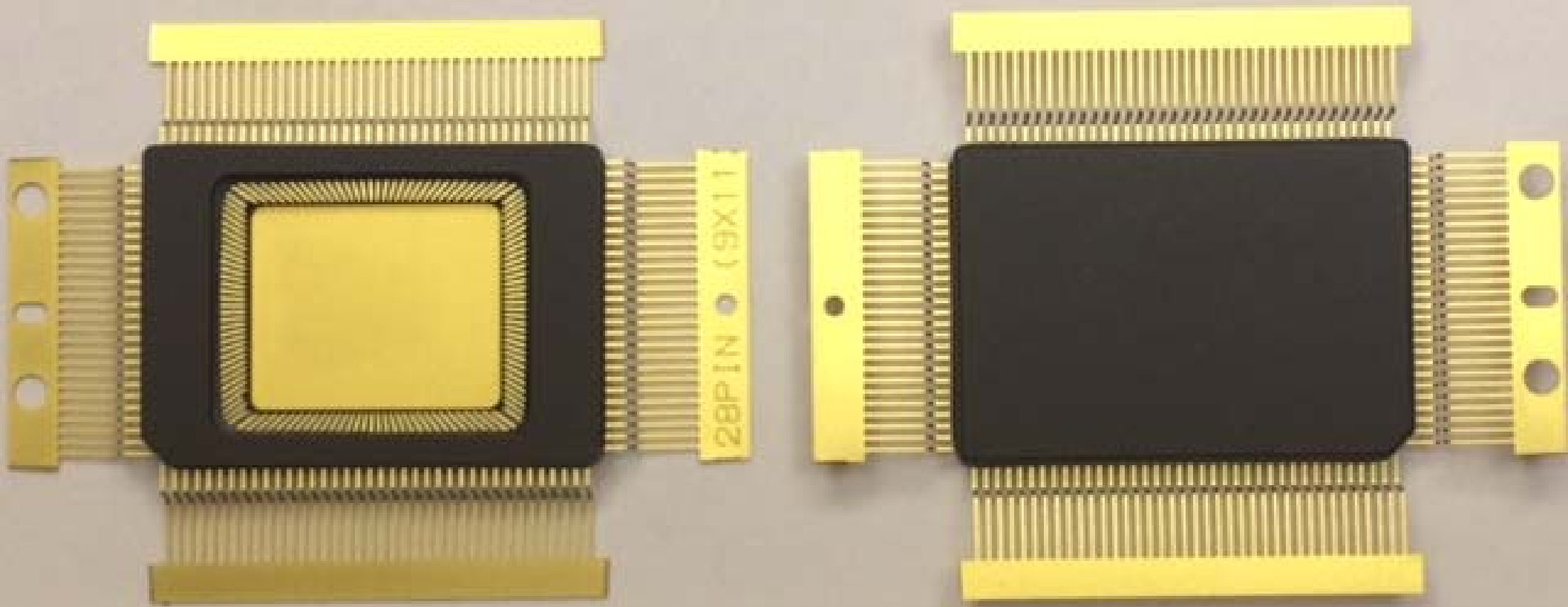
No.	X	No.	Y
1	0.065 (.003)	1	0.065 (.003)
2	0.195 (.008)	2	0.195 (.008)
3	0.325 (.013)	3	0.325 (.013)
4	0.457 (.018)	4	0.456 (.018)
5	0.589 (.023)	5	0.586 (.023)
6	0.724 (.029)	6	0.718 (.028)
7	0.859 (.034)	7	0.849 (.033)
8	0.998 (.039)	8	0.982 (.039)
9	1.139 (.045)	9	1.115 (.044)
10	1.283 (.051)	10	1.249 (.049)
11	1.429 (.056)	11	1.384 (.054)
12	1.579 (.062)	12	1.520 (.060)
13	1.731 (.068)	13	1.657 (.065)
14	1.888 (.074)	14	1.796 (.071)
15	2.046 (.081)	15	1.935 (.076)
16	2.210 (.087)	16	2.076 (.082)
17	2.375 (.094)	17	2.218 (.087)
18	2.545 (.100)	18	2.362 (.093)
19	2.717 (.107)	19	2.507 (.099)
20	2.893 (.114)	20	2.654 (.104)
21	3.071 (.121)	21	2.802 (.110)
22	3.254 (.128)	22	2.952 (.116)
23	3.438 (.135)	23	3.103 (.122)
24	3.626 (.143)	24	3.257 (.128)
25	3.816 (.150)	25	3.411 (.134)
26	4.010 (.158)	26	3.568 (.140)
27	4.205 (.166)	27	3.725 (.147)
28	4.404 (.173)	28	3.883 (.153)
29	4.604 (.181)	29	4.042 (.159)
30	4.808 (.189)	30	4.201 (.165)
31	5.012 (.197)	31	4.361 (.172)
32	5.221 (.206)	32	4.521 (.178)



MODIFICATIONS	NAME					TOLERANCES:	DRAWN	CHECKED
	128LD QUAD K-PACK 'Z' (9X11)							
	SCALE							
	6 : 1							
	MATERIAL							
	CHANGE							
	DATE	DRAWN	CHECKED	APPROVED				
					KYOCERA CORPORATION	KYOTO JAPAN	DWG No.	OCT. 26 '92
							QC-128325-WZ	



Ph: 408.435.5555 email: ssm_sales@spectrum-semi.com



28PIN (9X11)

inch

1

2