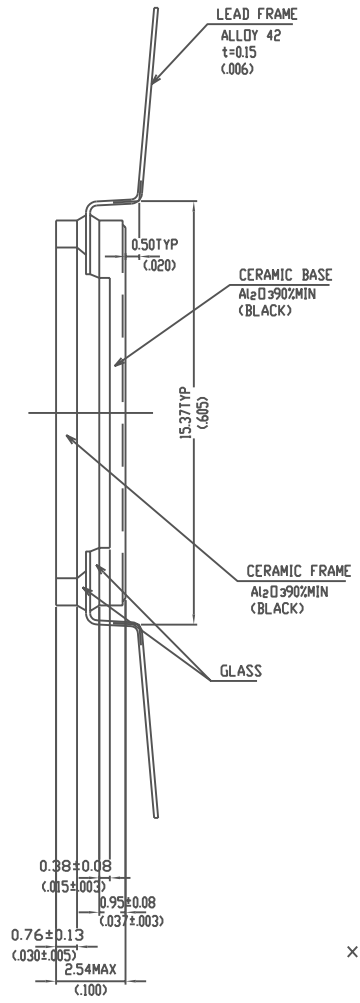
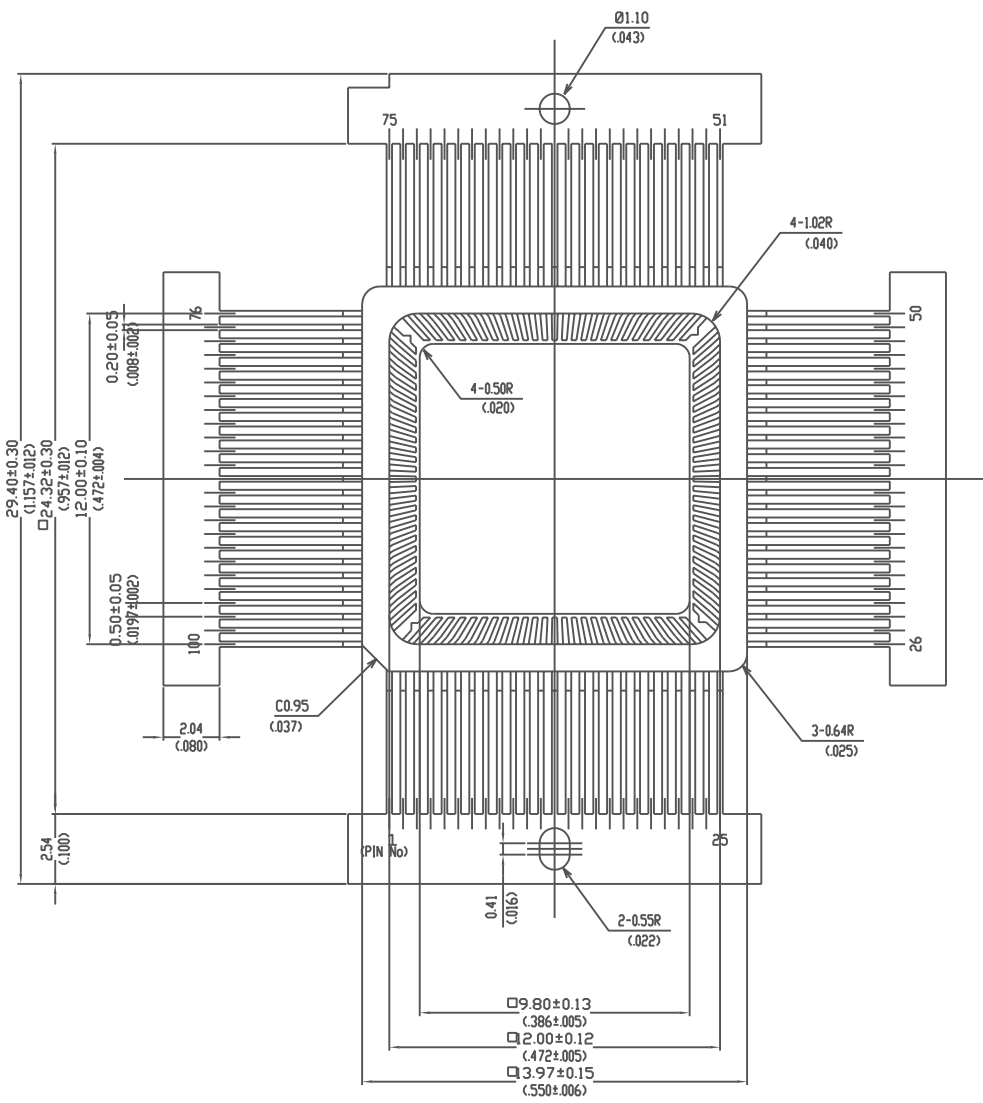
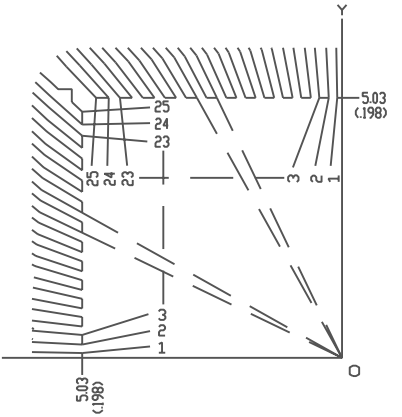


SSM P/N CQZ10001



No	ANGLE
1	1.052
2	2.924
3	5.003
4	6.657
5	8.922
6	10.768
7	12.799
8	14.621
9	16.626
10	18.396
11	20.358
12	22.099
13	24.003
14	25.700
15	27.542
16	29.183
17	30.974
18	32.558
19	34.285
20	35.801
21	37.463
22	38.923
23	40.509
24	41.903
25	43.423



MODIFICATIONS	NAME	TOLERANCES:	DRAWN	CHECKED
C H A N G E	100LD QUAD K-PACK 'Z'(9.8SQ)	SCALE	APPROVED	DATE
	8/1	MATERIAL	Y. TORIHARA	APR.12'91
DATE	DRAWN	CHECKED	APPROVED	DWG No.
			KYOCERA CORPORATION	QC-100365-WZ
			KYOTO JAPAN	



