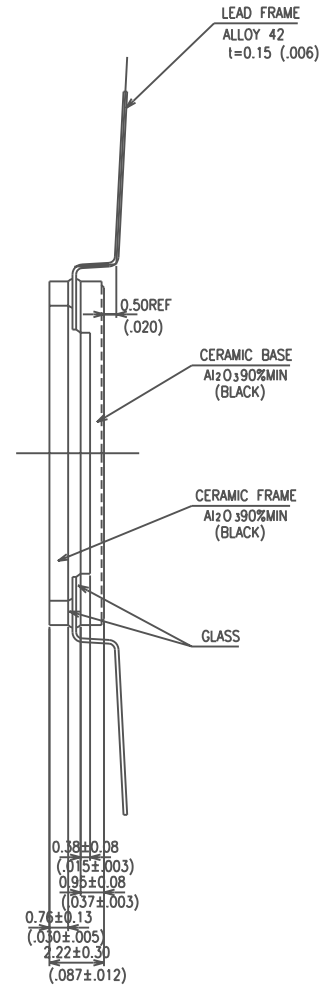
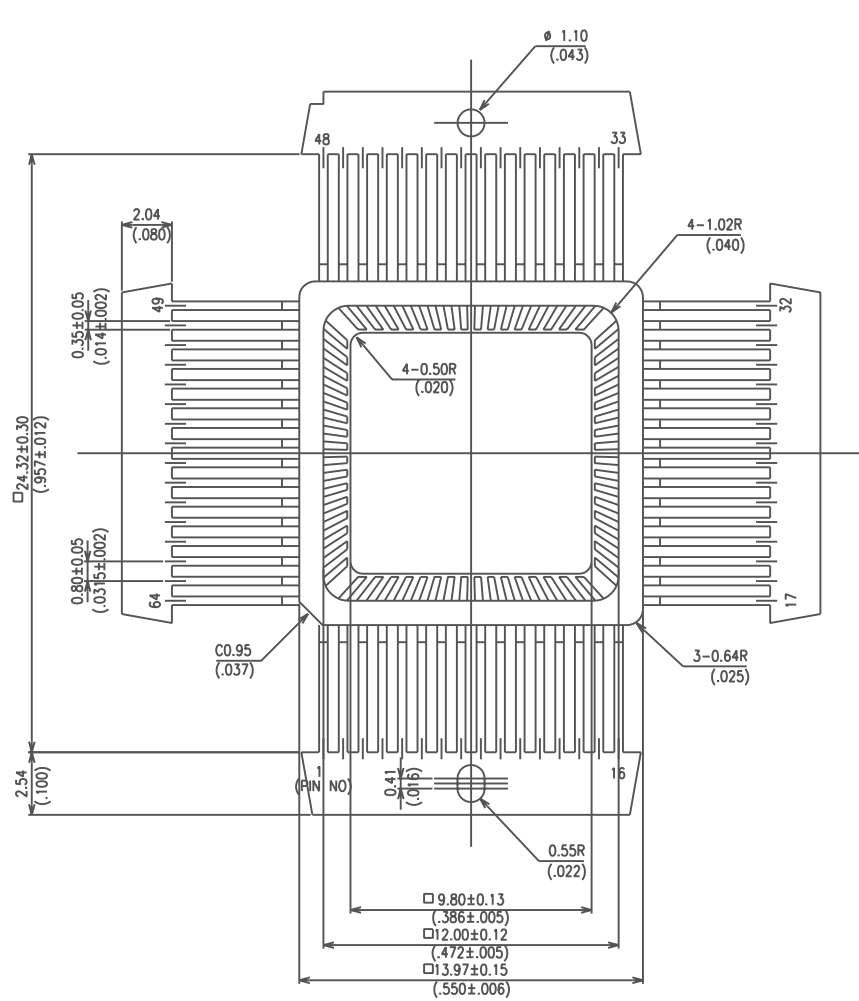
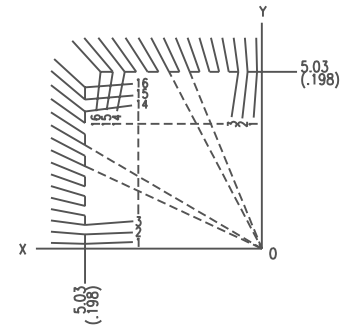


# SSM P/N CQZ06402



NO	ANGLE
1	1.53°
2	4.58°
3	7.60°
4	10.60°
5	13.57°
6	16.50°
7	19.38°
8	22.21°
9	24.99°
10	27.69°
11	30.33°
12	32.89°
13	35.38°
14	37.79°
15	40.13°
16	42.38°



MODIFICATIONS					NAME	TOLERANCES:	DRAWN	CHECKED
					64LD QUAD K-PACK 'Z'(9.8SQ)	UNLESS OTHERWISE SPECIFIED		
					SCALE	MATERIAL	APPROVED	DATE
	ALL NEW DRAWING	NOV.10'92						NOV. 4 '92
	C H A N G E	DATE	DRAWN	CHECKED	APPROVED	KYOCERA CORPORATION	KYOTO JAPAN	DWG No. QC-064308-WZ $\Delta$

