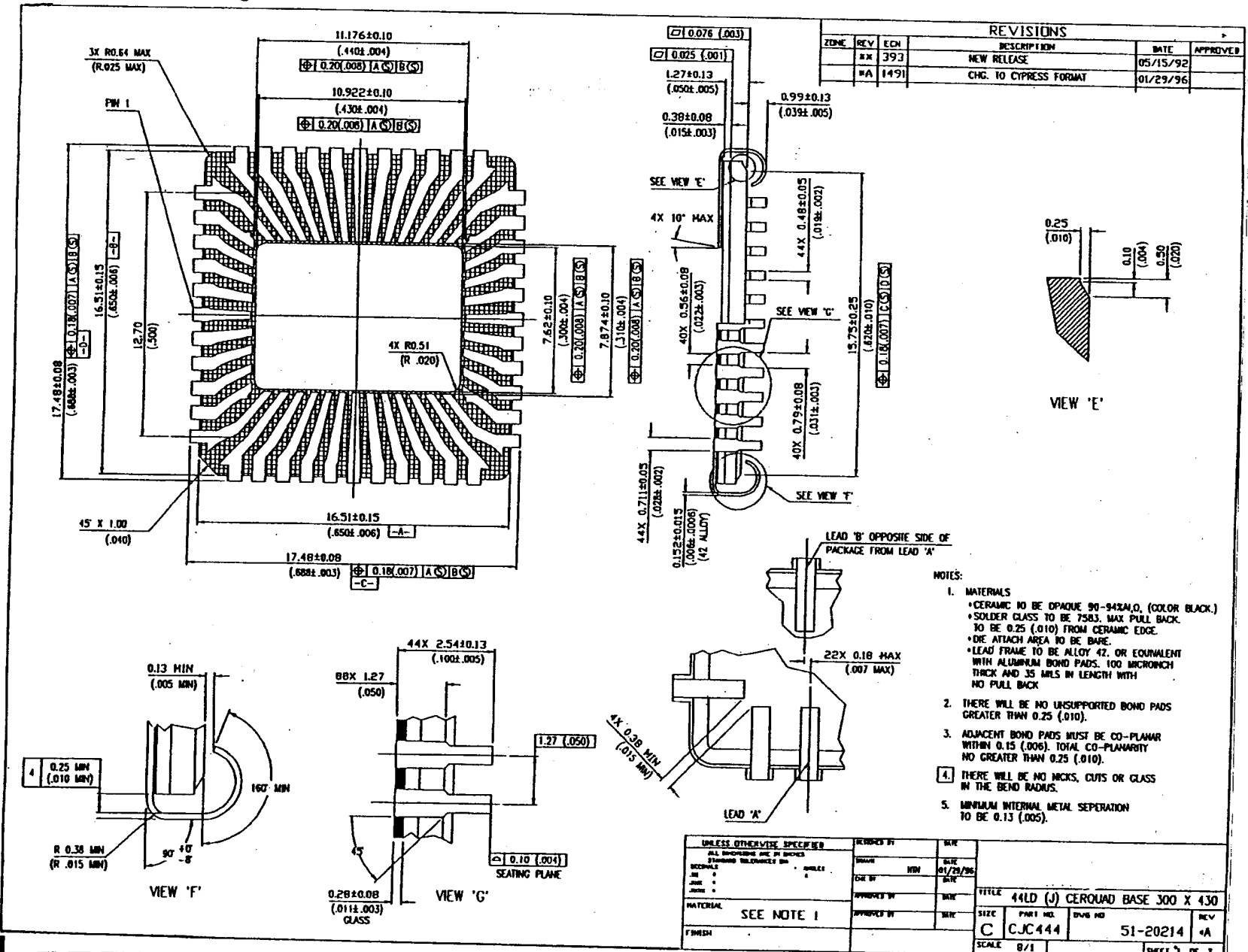
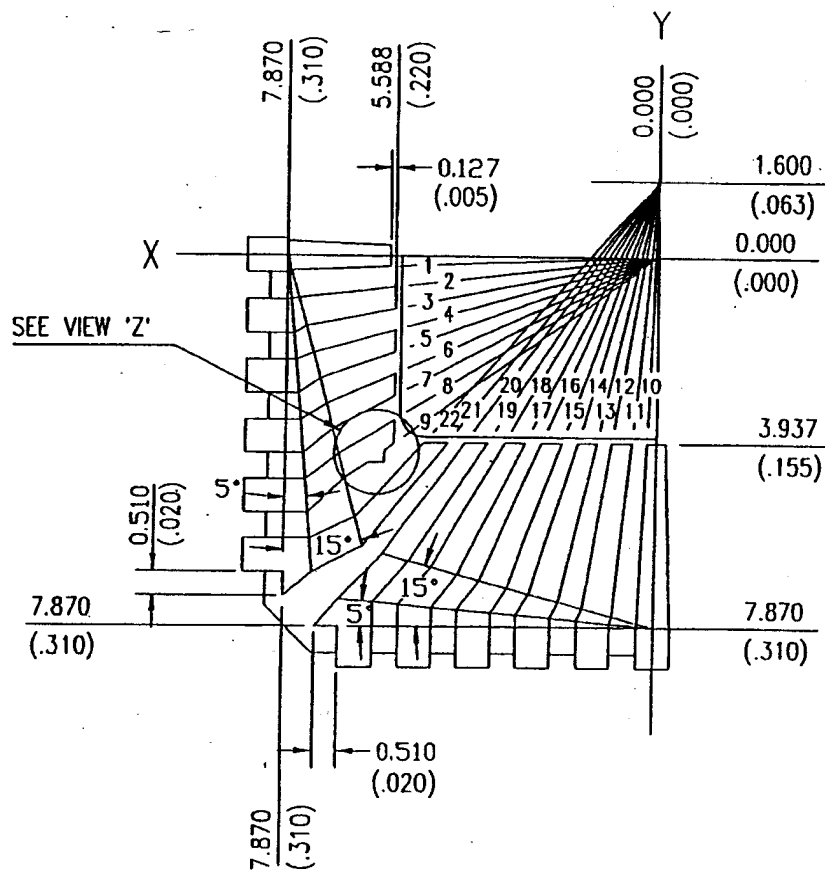


SSM P/N CQJ04420



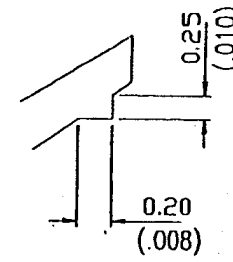
SSM P/N CQJ04420

REVISIONS					
ZONE	REV	ECH	DESCRIPTION	DATE	APPROVED
			SEE SHEET 1		



ε (X)	
No.	ANGLE
1	2.200°
2	6.603°
3	11.171°
4	15.493°
5	19.770°
6	23.916°
7	27.852°
8	31.747°
9	35.303°

ε (Y)	
No.	ANGLE
10	2.100°
11	5.319°
12	9.505°
13	12.737°
14	16.705°
15	19.791°
16	23.587°
17	26.491°
18	30.075°
19	32.866°
20	36.208°
21	38.715°
22	41.802°



VIEW 'Z'

UNLESS OTHERWISE SPECIFIED		DESIGNED BY	DATE
ALL DIMENSIONS ARE IN INCHES		DRAWN	DATE
STANDARD TOLERANCES UNLESS		CHK BY	DATE
MATERIAL		APPROVED BY	DATE
FINISH		APPROVED BY	DATE
TITLE 44LD (J) CERQUAD BASE 300 X 430			
SIZE	PART NO.	BUG NO.	REV
C	CJC444	51-20214	0A
SCALE	15/1	SHEET 2 OF 2	

