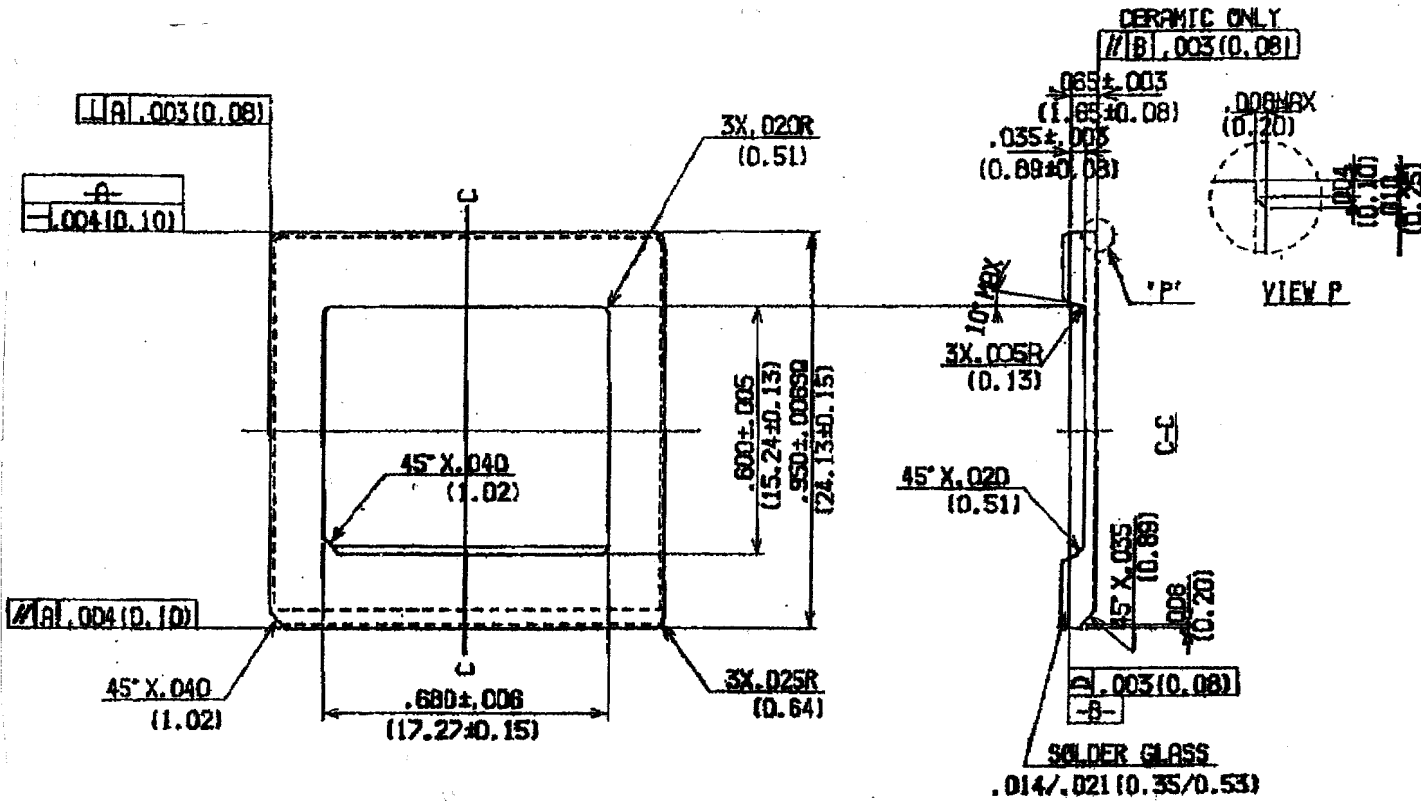


SSM P/N CQC06803



NAME 68LD 0/C CAP (600X680)		DRAWN'S <i>[Signature]</i>		CHECKED <i>[Signature]</i>	
SCALE FREE	MATERIAL R1203 90%MIN (BLACK)	APPROVED <i>[Signature]</i>		DATE AUG. 27 '90	
KYOCERA CORPORATION		KYOTO JAPAN		KCC-10968	

