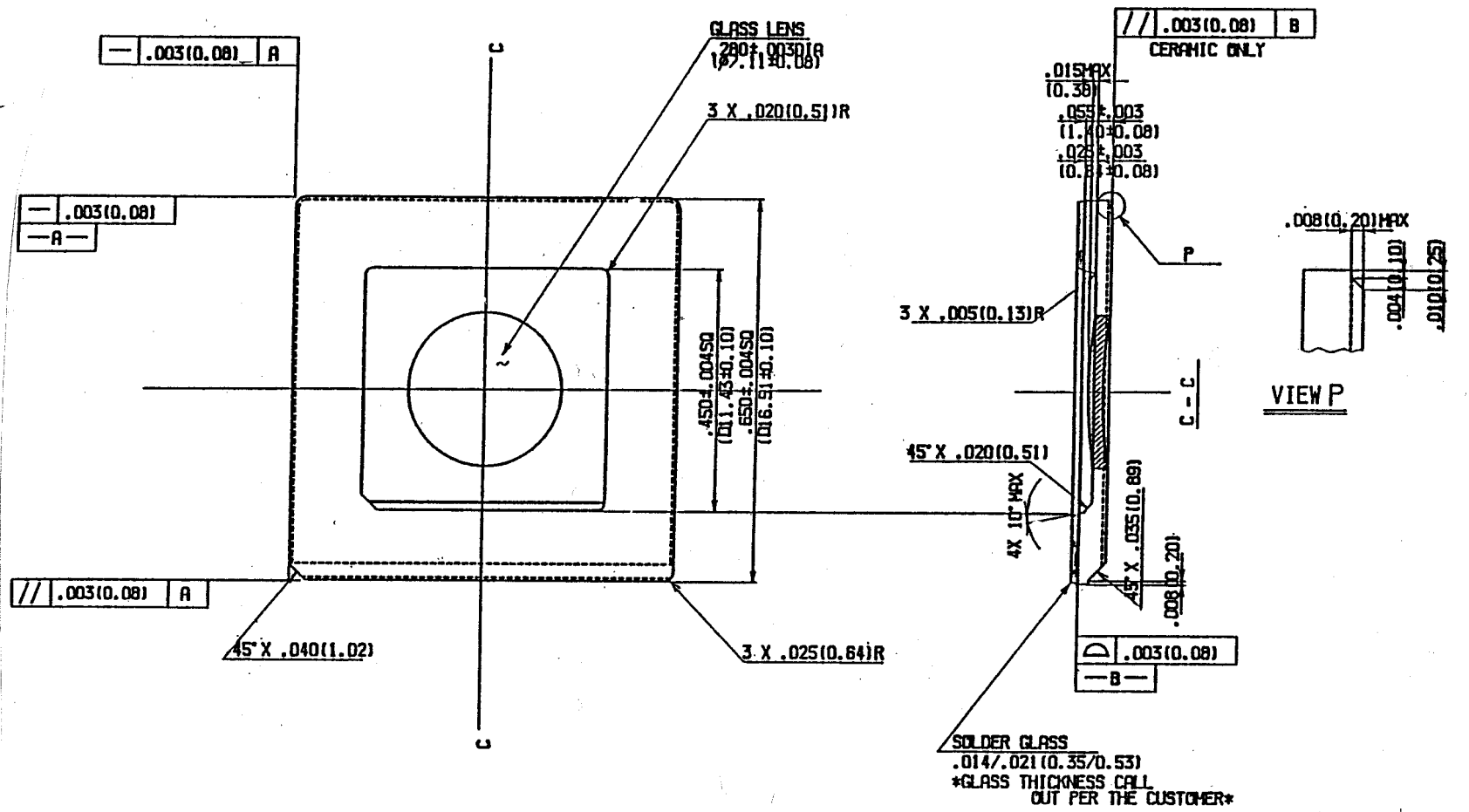


SSM P/N CQC04408



.NAME 44LD CERQUAD CAP 280DIA		TOLERANCES: UNLESS OTHERWISE SPECIFIED	INCH (mm)	
SCALE FREE	MATERIAL A1203 902MIN (BLACK)		DRAWN <i>J. Sannuma</i>	CHECKED <i>J. Sannuma</i>
			APPROVED <i>J. Sannuma</i>	DATE JUN15'88
KYOCERA CORPORATION		KYOTO JAPAN	KKC-10675	



www.spectrum-semi.com Phone: 408-435-5555 Fax: 408-435-8226