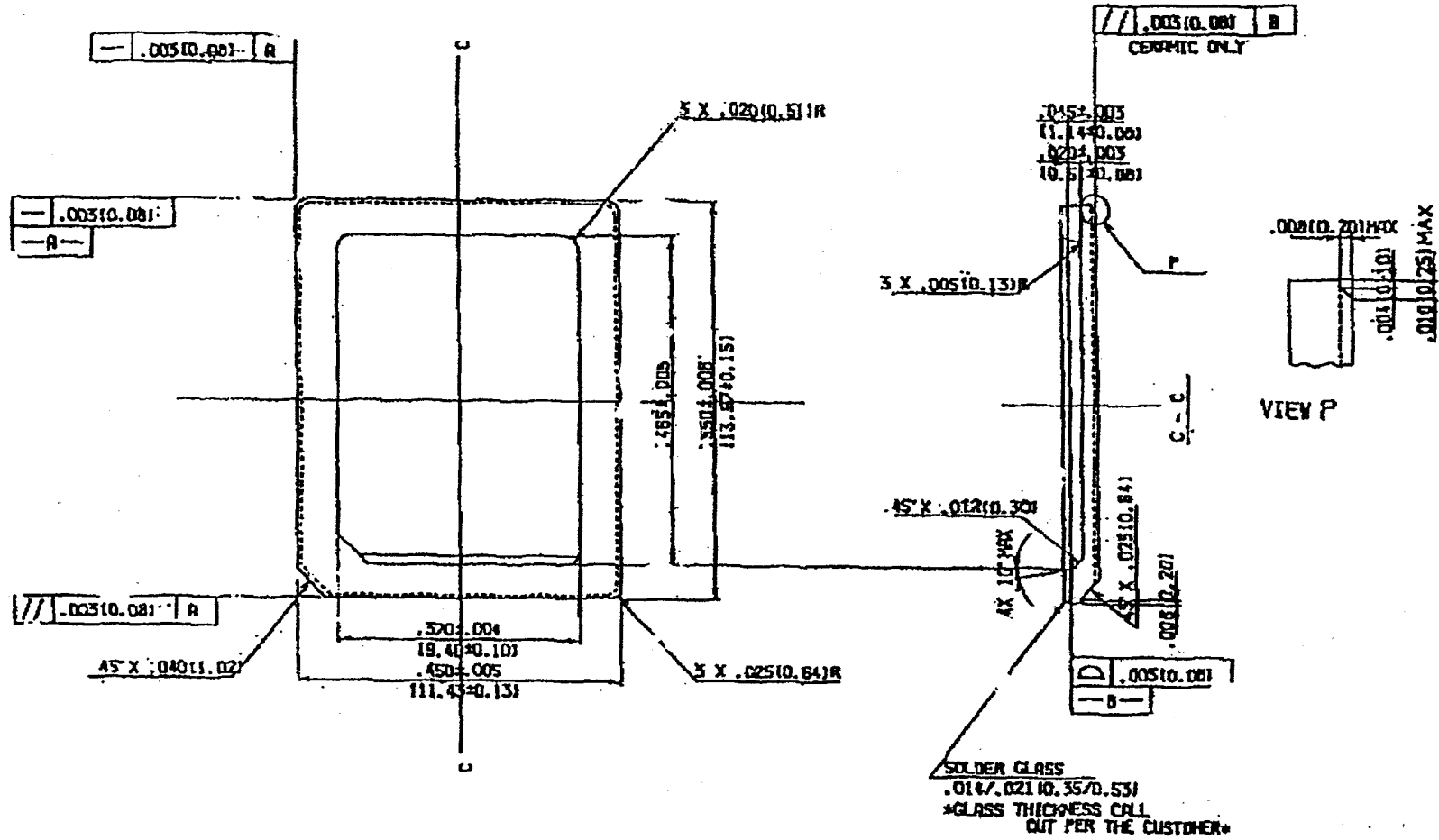


SSM P/N CQC03207



CONTROLLED 11-26-03

NAME 32LD CERQUAD CAP (370X465)		TOLERANCES: UNLESS OTHERWISE SPECIFIED		THICK (mm)	
GRADE	MATERIAL			HEAVY	GRADE
FREE	ALZOS BIZUMIN UNBLACK			<i>Alz</i>	<i>Grade</i>
KYOCERA CORPORATION		KYOTO JAPAN	E70-A	DEC 91	
				HCC-10736	

