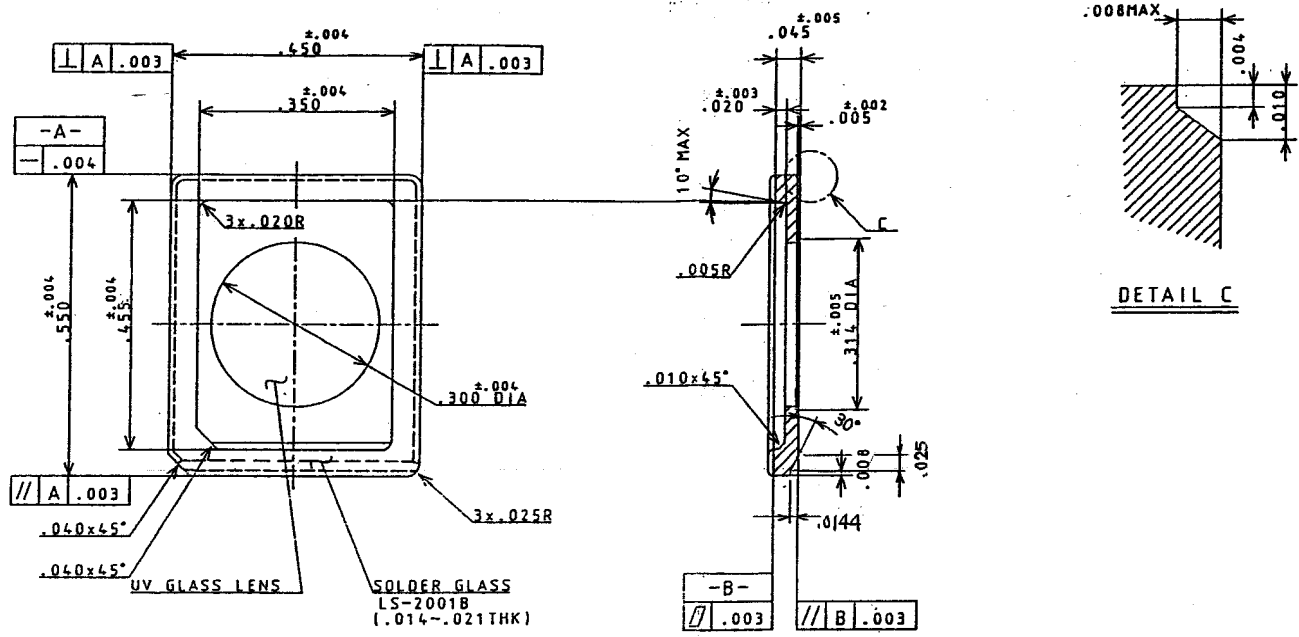
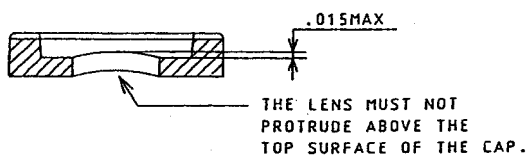


# SSM P/N CQC03203



- NOTES:
1. GLASS LENS TO TRANSMIT 60% MIN OF 2537Å UV LIGHT.
  2. GLASS LENS PROTRUTION.



3. THERE WILL BE A MAX OF 5 BUBBLES OF FOREIGN MATERIAL >.005. ALLOWED IN THE AREA WITHIN .015 FROM THE OUTSIDE DIA.
4. SOLDER GLASS MOISTURE = 5000PPM MAX. 5. NTK SPEC YS-1004 SHALL APPLY.

Item Name	Material	Description	Rev.	Description	Date
CERAMIC	BLACK ALUMINA			NEW DRAWING	3-4-91
UNLESS OTHERWISE SPECIFIED TOLERANCES: ± 1%		DRAWN	M. Sasa	NTK TECHNICAL CERAMICS	
N. L. T 2 DECIMALS .XX ± .01		CHECKED	Z. Zoch	NGK SPARK PLUG CO., LTD	
3 DECIMALS .XXX ± .005		APPROVED		TITLE	
CUSTOMER		UNIT	INCH	32 LEAD CERAMIC QUAD PKG	
		SCALE		EPROM CAP	
		DWG NO.		U32-0794-41B-2L	SIZE
					A-3

