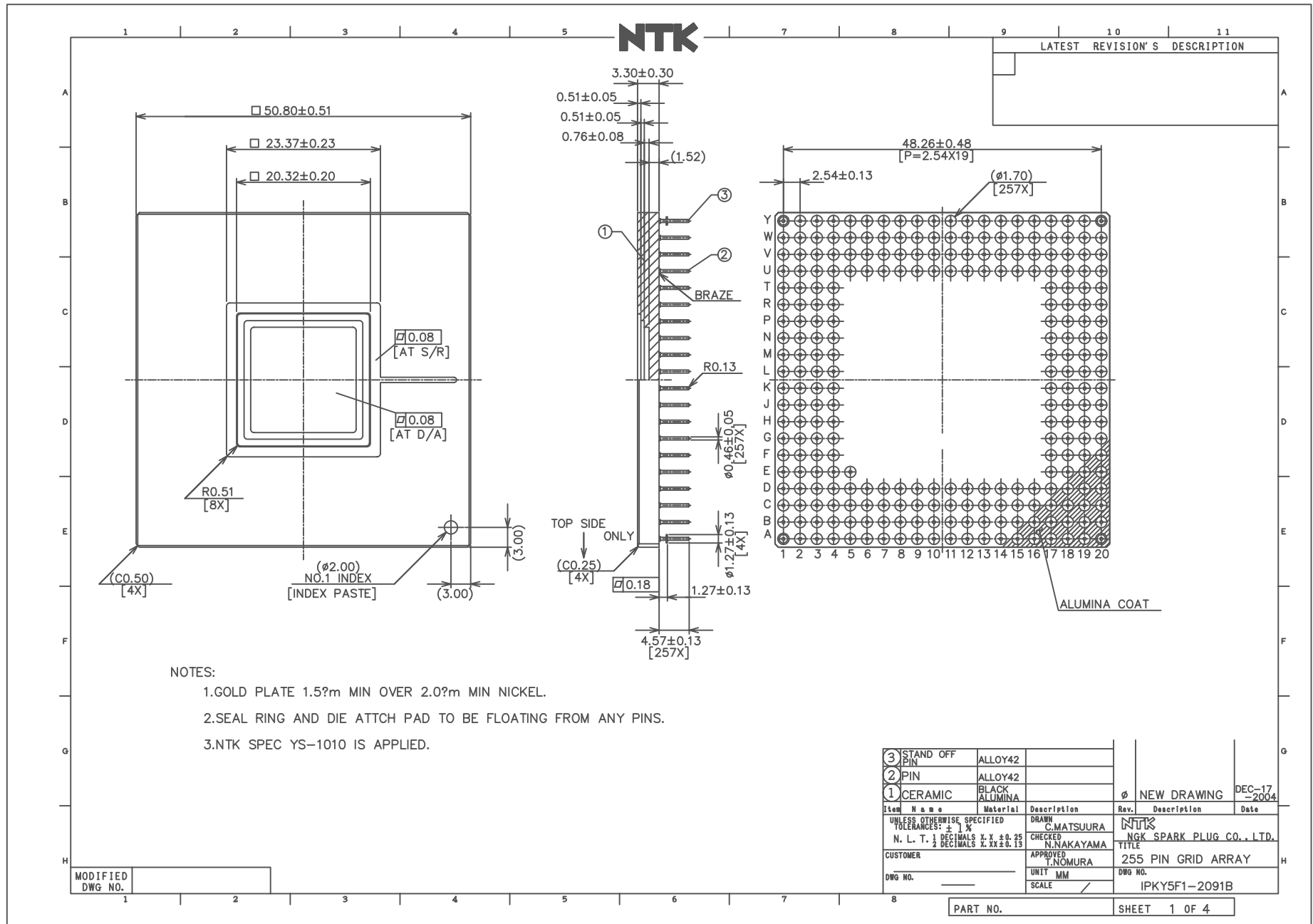
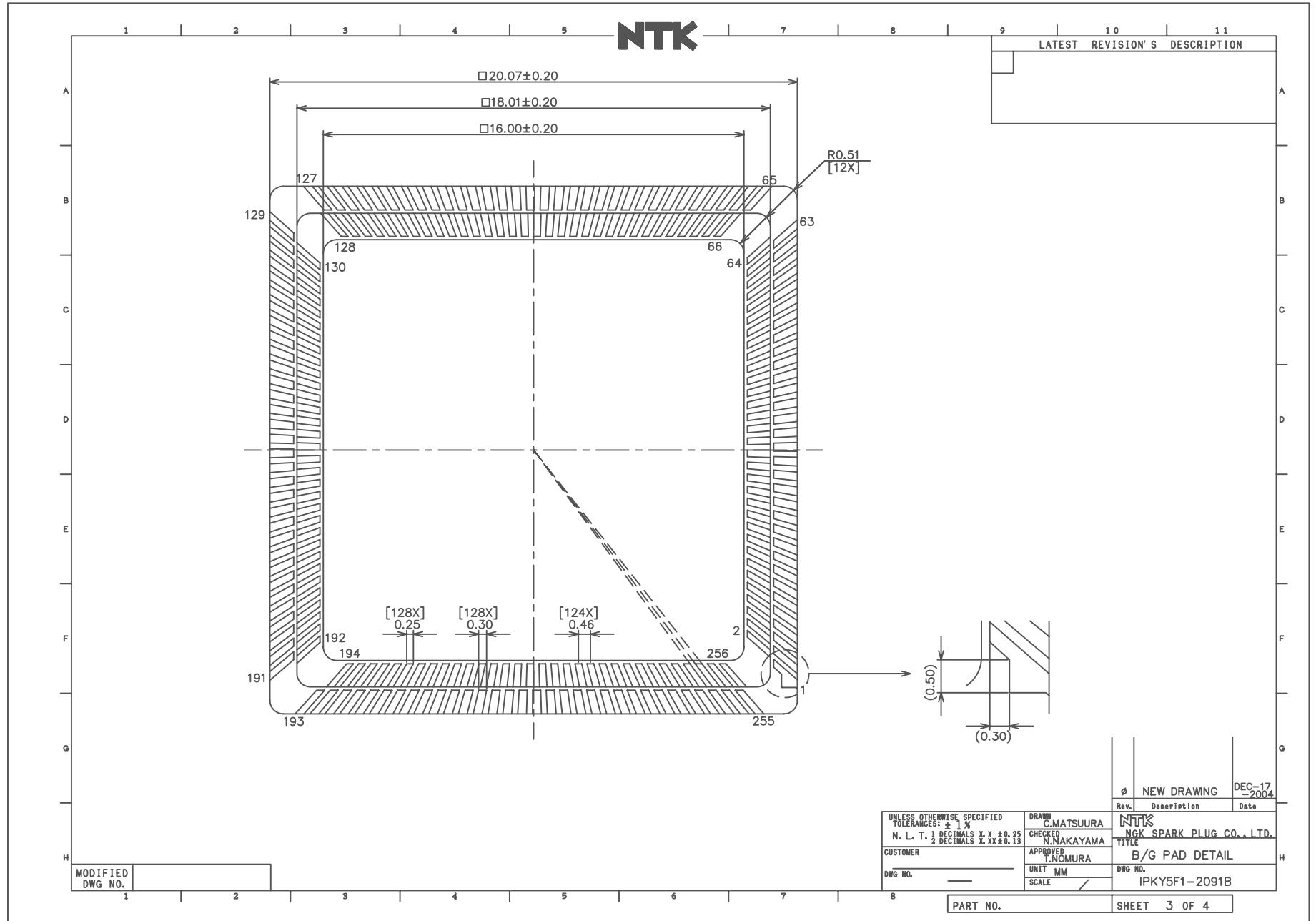


# SSM P/N CPG25604



# SSM P/N CPG25604



# SSM P/N CPG25604

**NTK**

LATEST REVISION'S DESCRIPTION

PAD	LEAD	PAD	LEAD	PAD	LEAD	PAD	LEAD	PAD	LEAD	PAD	LEAD	PAD	LEAD	PAD	LEAD	PAD	LEAD
1	A1	30	K4	59	V2	88	U9	117	Y17	146	N17	175	F19	204	C15	233	A7
2	D4	31	K1	60	U3	89	Y7	118	U14	147	P19	176	H17	205	A17	234	D9
3	C2	32	K2	61	W1	90	W9	119	W17	148	N18	177	E20	206	D14	235	B7
4	D3	33	L1	62	T4	91	Y8	120	V16	149	R20	178	G18	207	B15	236	C9
5	B1	34	L2	63	W2	92	V10	121	Y18	150	M18	179	E19	208	C14	237	A6
6	E4	35	M1	64	V3	93	Y9	122	U15	151	N19	180	F18	209	A16	238	C8
7	D2	36	L4	65	Y1	94	U10	123	W18	152	M17	181	D20	210	D13	239	B6
8	E3	37	N1	66	U4	95	Y10	124	V17	153	P20	182	G17	211	B14	240	D8
9	C1	38	L3	67	W3	96	W10	125	Y19	154	M19	183	D19	212	C13	241	A5
10	F4	39	N2	68	V4	97	Y11	126	U16	155	N20	184	E18	213	A15	242	C7
11	E2	40	M2	69	Y2	98	W11	127	W19	156	L18	185	C20	214	C12	243	B5
12	F3	41	P1	70	U5	99	Y12	128	V18	157	M20	186	F17	215	B13	244	C6
13	D1	42	M4	71	W4	100	U11	129	Y20	158	L17	187	C19	216	D12	245	A4
14	G4	43	P2	72	V5	101	Y13	130	U17	159	L20	188	D18	217	A14	246	D7
15	F2	44	M3	73	Y3	102	V11	131	V19	160	L19	189	B20	218	B12	247	B4
16	G3	45	R1	74	U6	103	W13	132	U18	161	K20	190	E17	219	A13	248	C5
17	E1	46	N3	75	W5	104	W12	133	W20	162	K19	191	B19	220	C11	249	A3
18	H4	47	R2	76	V6	105	Y14	134	T17	163	J20	192	C18	221	A12	250	D6
19	G2	48	N4	77	Y4	106	U12	135	U19	164	K17	193	A20	222	D11	251	B3
20	H3	49	T1	78	U7	107	W14	136	T18	165	H20	194	D17	223	A11	252	C4
21	F1	50	P3	79	W6	108	V12	137	V20	166	K18	195	B18	224	B11	253	A2
22	J3	51	T2	80	V7	109	Y15	138	R17	167	H19	196	C17	225	A10	254	D5
23	H2	52	R3	81	Y5	110	V13	139	T19	168	J19	197	A19	226	B10	255	B2
24	J4	53	U1	82	U8	111	W15	140	R18	169	G20	198	D16	227	A9	256	C3
25	G1	54	P4	83	W7	112	U13	141	U20	170	J17	199	B17	228	D10		
26	J2	55	U2	84	V8	113	Y16	142	P17	171	G19	200	C16	229	A8		
27	H1	56	T3	85	Y6	114	V14	143	R19	172	J18	201	A18	230	C10		
28	K3	57	V1	86	V9	115	W16	144	P18	173	F20	202	D15	231	B8		
29	J1	58	R4	87	W8	116	V15	145	T20	174	H18	203	B16	232	B9		

PAD	LEAD
	S/R
N/C	D/A
	E5

MODIFIED DWG NO. \_\_\_\_\_

UNLESS OTHERWISE SPECIFIED  
TOLERANCES: ± 1%  
N. L. T. 3 DECIMALS V. X. ±0.25  
2 DECIMALS X. XX ±0.13

DRAWN C.MATSUURA  
CHECKED N.NAKAYAMA  
APPROVED T.NOMURA  
UNIT MM  
SCALE /

NEW DRAWING  
Rev. Description Date  
NTK  
NGK SPARK PLUG CO., LTD.  
TITLE CONNECTION TABLE  
DWG NO. IPKY5F1-2091B

PART NO. \_\_\_\_\_ SHEET 4 OF 4



# SSM P/N CPG25604

