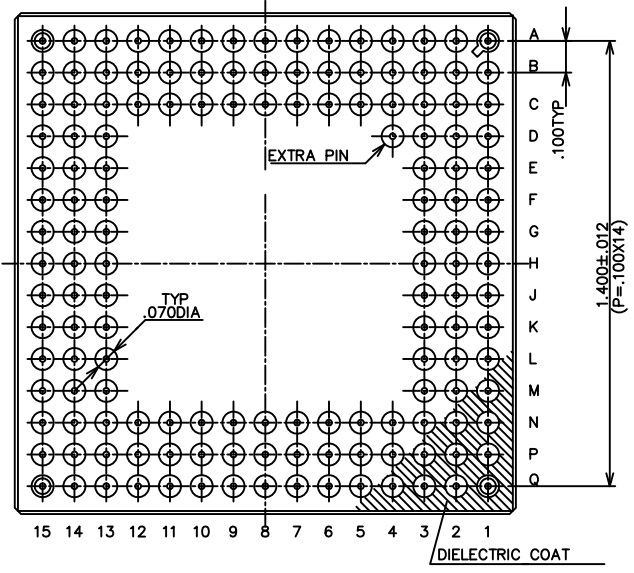
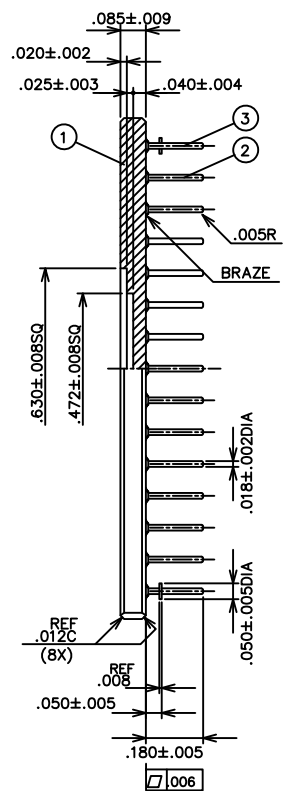
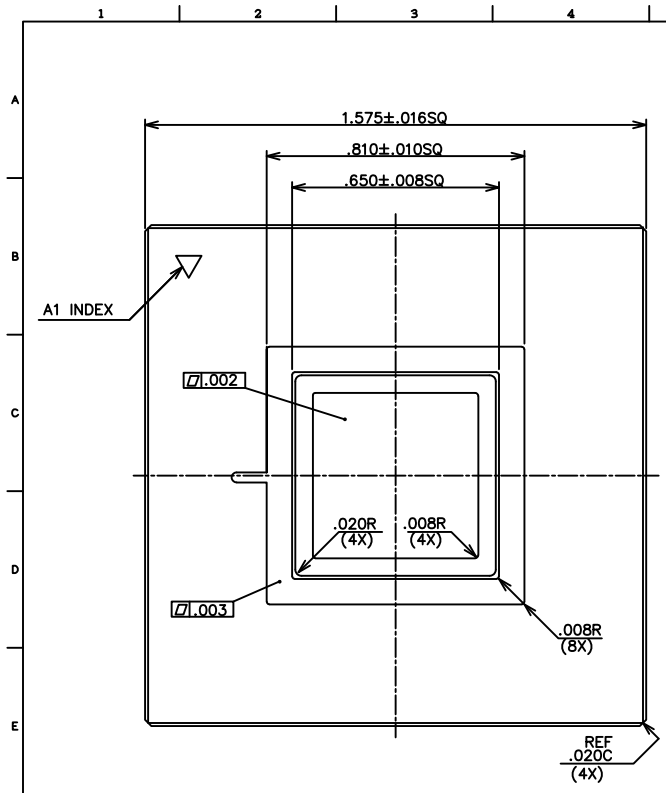




LATEST REVISION'S DESCRIPTION	



- NOTES:
1. GOLD PLATE 60? INCHES MIN OVER 80? INCHES MIN NICKEL.
  2. LEAD RESISTANCE:  
NO.18,19,54,55,90,91,126,127----- 150m? MAX  
NO.1,37,73,109----- 200m? MAX  
OTHERS ----- 800m? MAX
  3. D4 PIN(EXTRA PIN) TO BE ELECTRICALLY CONNECTED TO D3 PIN.
  4. SEAL RING AND DIE ATTACH PAD TO BE FLOATING FROM ANY PINS.

3	STOPPER PIN	ALLOY42			
2	PIN	ALLOY42			
1	CERAMIC	BLACK ALUMINA			
Item	Name	Material	Description	Rev.	Date
UNLESS OTHERWISE SPECIFIED TOLERANCES: ± 1%					
DRAWN			Y.SUZUKI	NTK	APR-14-2006
CHECKED			T.NOMURA	NGK SPARK PLUG CO., LTD.	
CUSTOMER			SPECTRUM	TITLE	
APPROVED			T.NOMURA	144 PIN GRID ARRAY	
DWG NO.			UNIT	SCALE	DWG NO.
			###	INCH	IPKX4F1-8575K

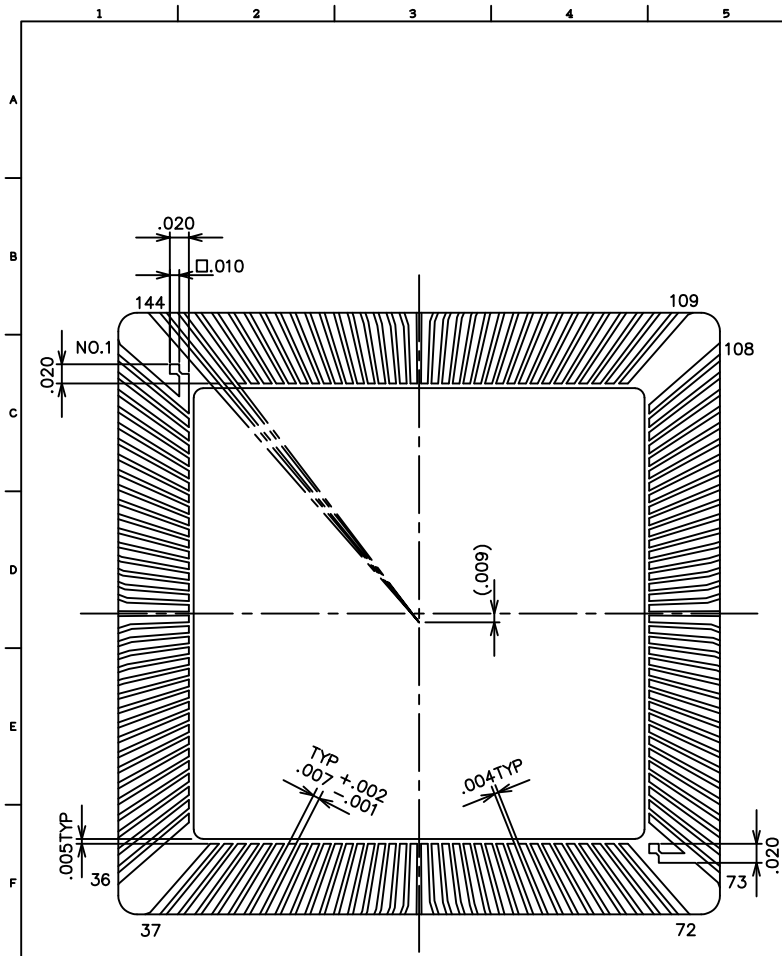
MODIFIED DWG NO. IPKX4F1-922B

PART NO. SHEET 1 OF 2





LATEST REVISION'S DESCRIPTION	



CONNECTION TABLE

PAD	PIN	PAD	PIN	PAD	PIN	PAD	PIN	PAD	PIN	PAD	PIN
1	D3	25	L1	49	N7	73	M13	97	E15	121	C9
2	C2	26	L2	50	Q6	74	N14	98	E14	122	A10
3	B1	27	M1	51	Q7	75	P15	99	D15	123	A9
4	D2	28	N1	52	P8	76	M14	100	C15	124	B8
5	E3	29	M2	53	Q8	77	L13	101	D14	125	A8
6	C1	30	L3	54	N8	78	N15	102	E13	126	C8
7	E2	31	N2	55	N9	79	L14	103	C14	127	C7
8	D1	32	P1	56	Q9	80	M15	104	B15	128	A7
9	F3	33	M3	57	Q10	81	K13	105	D13	129	A6
10	F2	34	N3	58	P9	82	K14	106	C13	130	B7
11	E1	35	P2	59	P10	83	L15	107	B14	131	B6
12	G2	36	Q1	60	N10	84	J14	108	A15	132	C6
13	G3	37	N4	61	Q11	85	J13	109	C12	133	A5
14	F1	38	P3	62	P11	86	K15	110	B13	134	B5
15	G1	39	Q2	63	Q12	87	J15	111	A14	135	A4
16	H2	40	P4	64	Q13	88	H14	112	B12	136	A3
17	H1	41	N5	65	P12	89	H15	113	C11	137	B4
18	H3	42	Q3	66	N11	90	H13	114	A13	138	C5
19	J3	43	P5	67	P13	91	G13	115	B11	139	B3
20	J1	44	Q4	68	Q14	92	G15	116	A12	140	A2
21	K1	45	N6	69	N12	93	F15	117	C10	141	C4
22	J2	46	P6	70	N13	94	G14	118	B10	142	C3
23	K2	47	Q5	71	P14	95	F14	119	A11	143	B2
24	K3	48	P7	72	Q15	96	F13	120	B9	144	A1

B/G PAD DETAIL

MODIFIED DWG NO. 1 IPKX4F1-922B

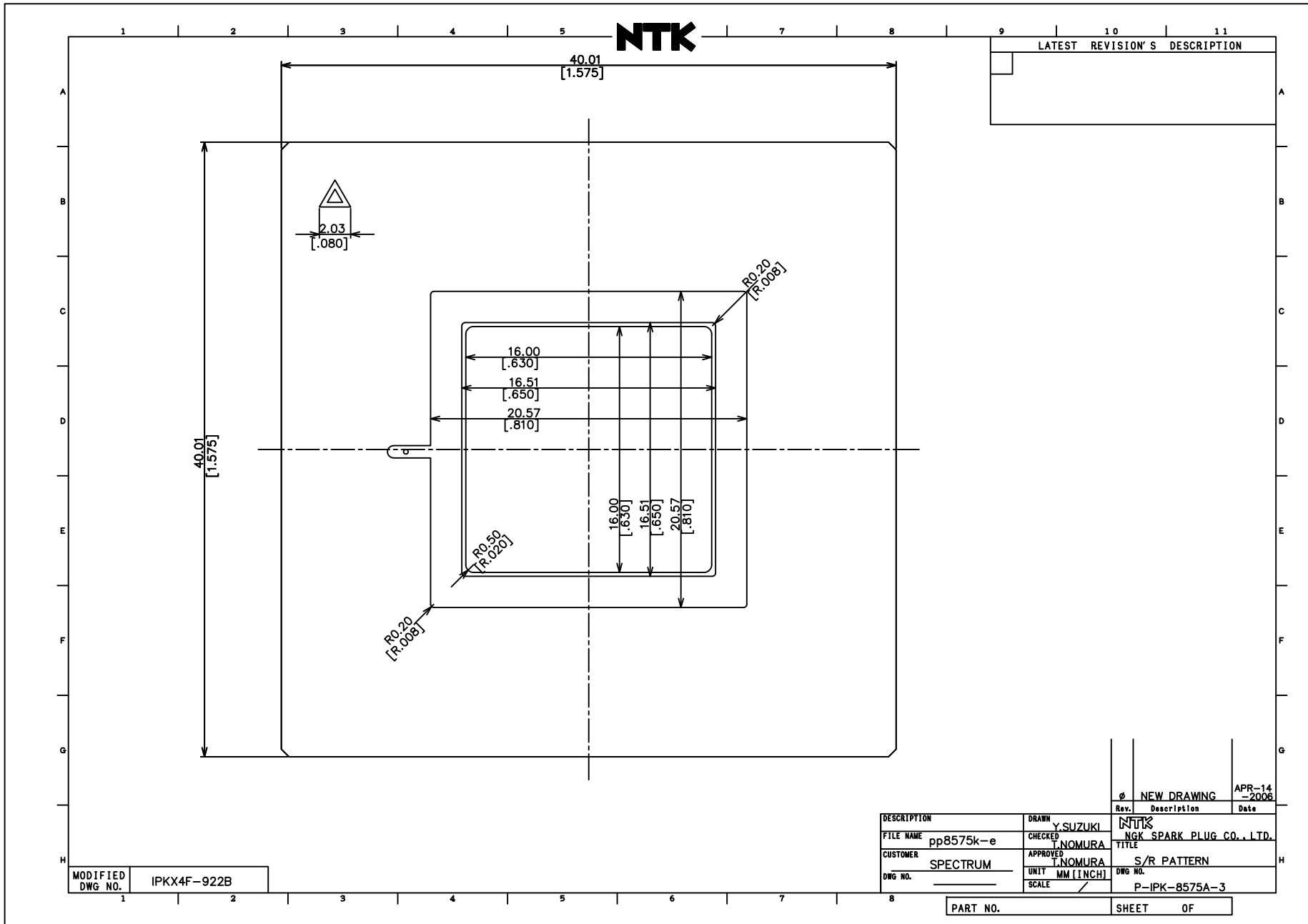
UNLESS OTHERWISE SPECIFIED TOLERANCES: ± 1% N. L. T. 3 DECIMALS MIN. 0.0025 3 DECIMALS MIN. 0.0015		DRAWN Y. SUZUKI	NTK
CUSTOMER SPECTRUM		CHECKED T. NOMURA	NGK SPARK PLUG CO., LTD.
APPROVED T. NOMURA		UNIT 1/16 INCH	TITLE B/G PAD DETAIL & CONNECTION TABLE
DWG NO. _____		SCALE 1/16 INCH	DWG NO. IPKX4F1-8575K

Rev.	Description	Date
	NEW DRAWING	APR-14-2006

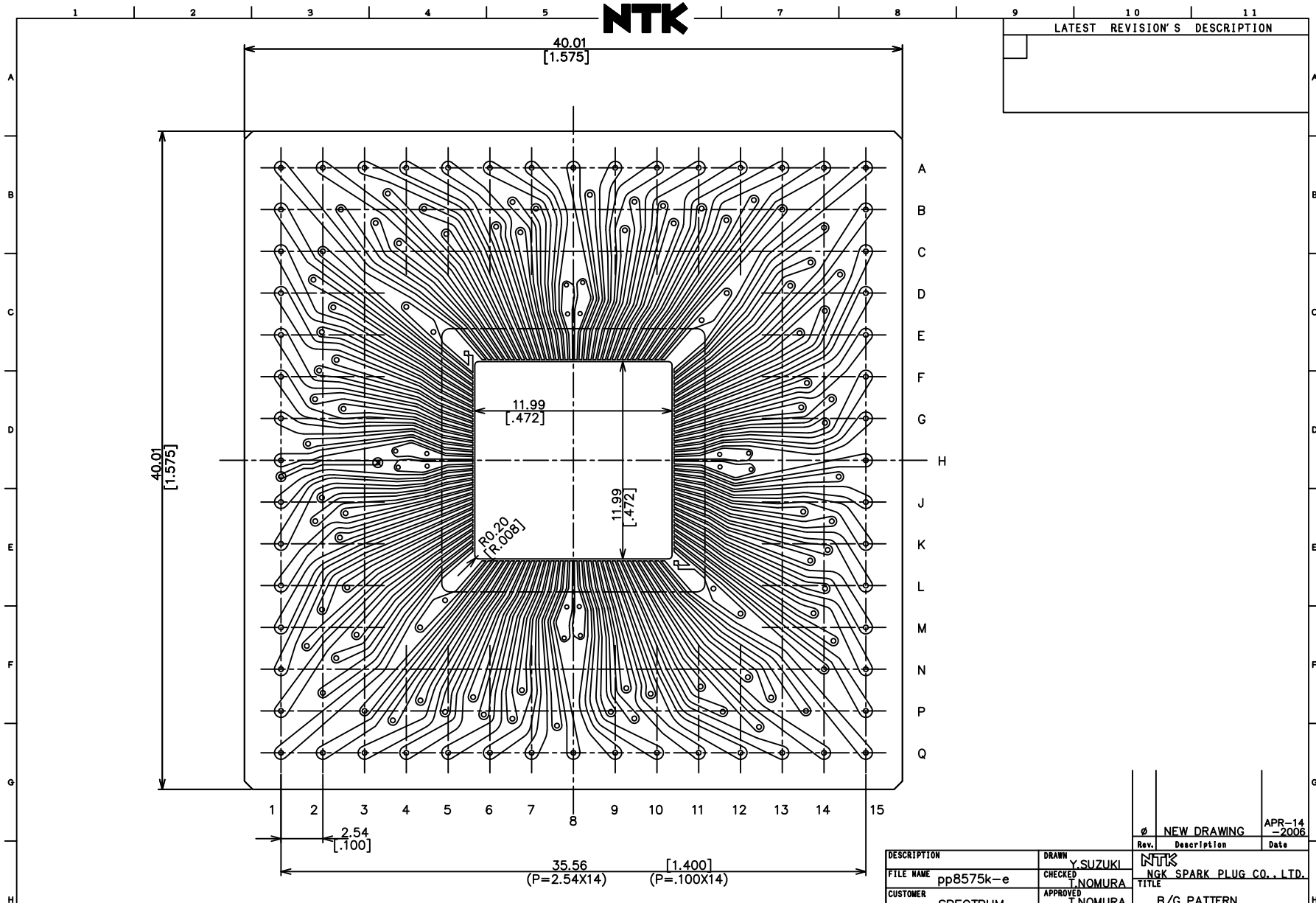
PART NO. SHEET 2 OF 2



# SSM P/N CPG144514



**NTK**



9	10	11
LATEST REVISION S		DESCRIPTION

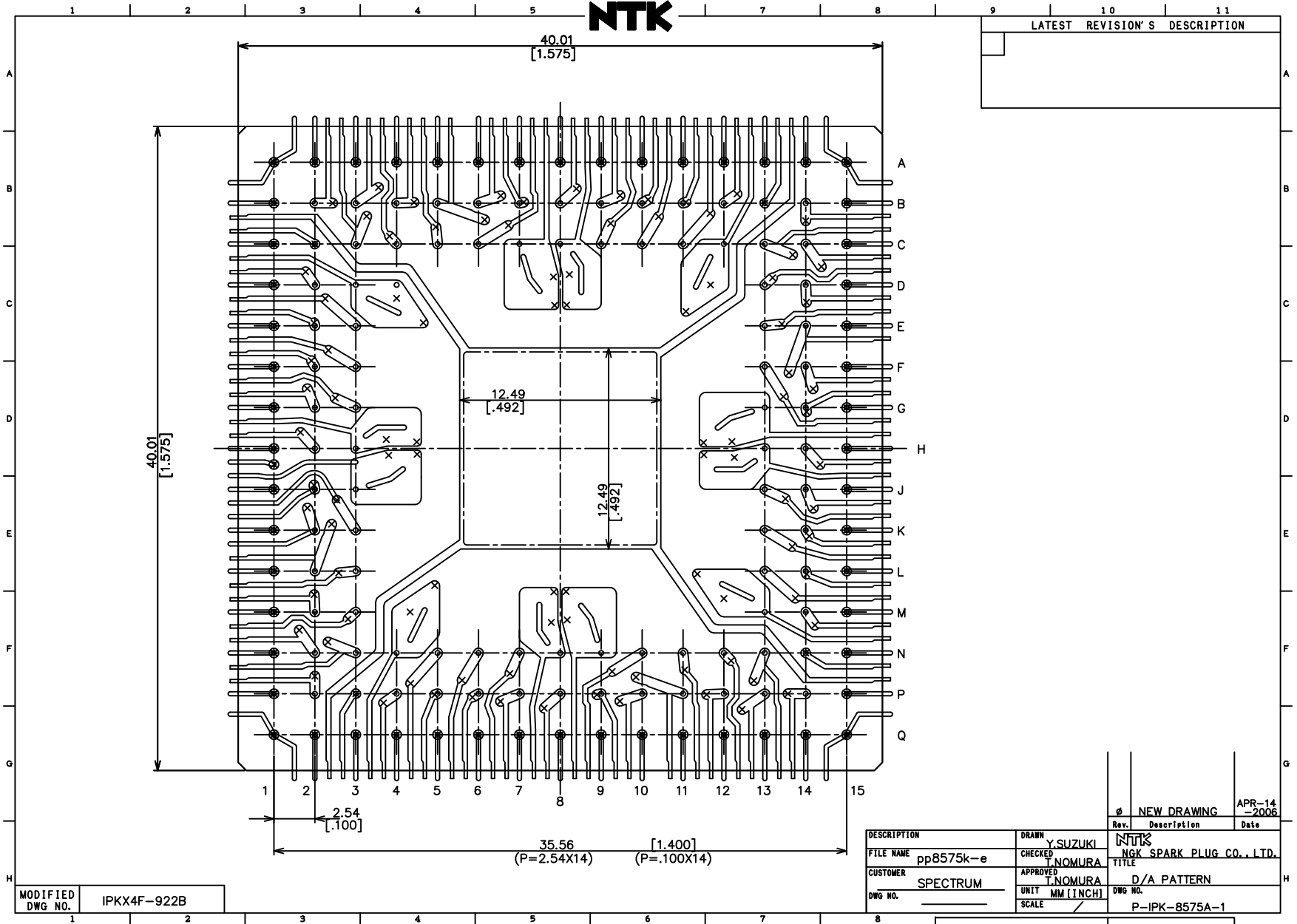
MODIFIED DWG NO. IPKX4F-922B

DESCRIPTION	DRAWN Y.SUZUKI	Rev.	NEW DRAWING	APR-14-2006
FILE NAME pp8575k-e	CHECKED T.NOMURA	Description	NTK	Date
CUSTOMER SPECTRUM	APPROVED T.NOMURA	TITLE	NGK SPARK PLUG CO., LTD.	
DWG NO.	UNIT MM [INCH]	DWG NO.	B/G PATTERN	
	SCALE /		P-IPK-8575A-2	

PART NO. SHEET OF

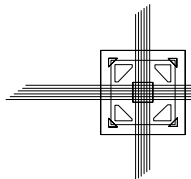


**NTK**



MODIFIED DWG NO. 1 IPKX4F-922B

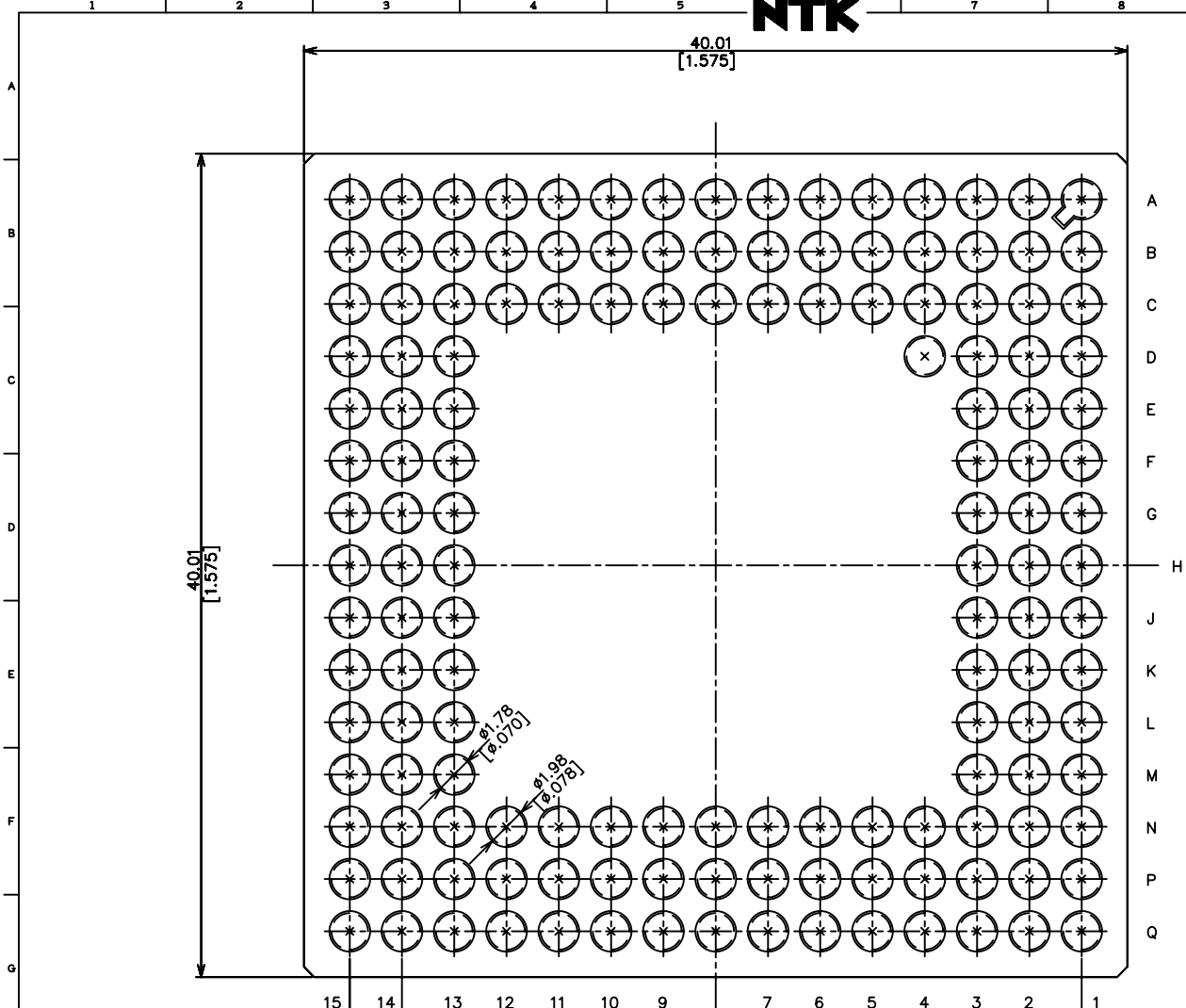
PART NO. SHEET OF



**NTK**

LATEST REVISION S DESCRIPTION

Rev.	Description	Date



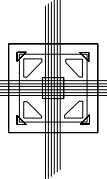
A  
B  
C  
D  
E  
F  
G  
H  
J  
K  
L  
M  
N  
P  
Q

MODIFIED DWG NO. 1 IPKX4F-922B

DESCRIPTION	DRAWN
FILE NAME	CHECKED
CUSTOMER	APPROVED
DWG NO.	UNIT
	SCALE

NTK	NEW DRAWING	APR-14-2008
NGK SPARK PLUG CO., LTD.		
TITLES		
ALUMINA COAT		
BRAZE PAD		
DWG NO.		
P-IPK-922A-02		
P-IPK-922A-01		

PART NO. SHEET OF



**SPECTRUM**  
SEMICONDUCTOR MATERIALS, INC.