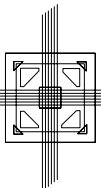
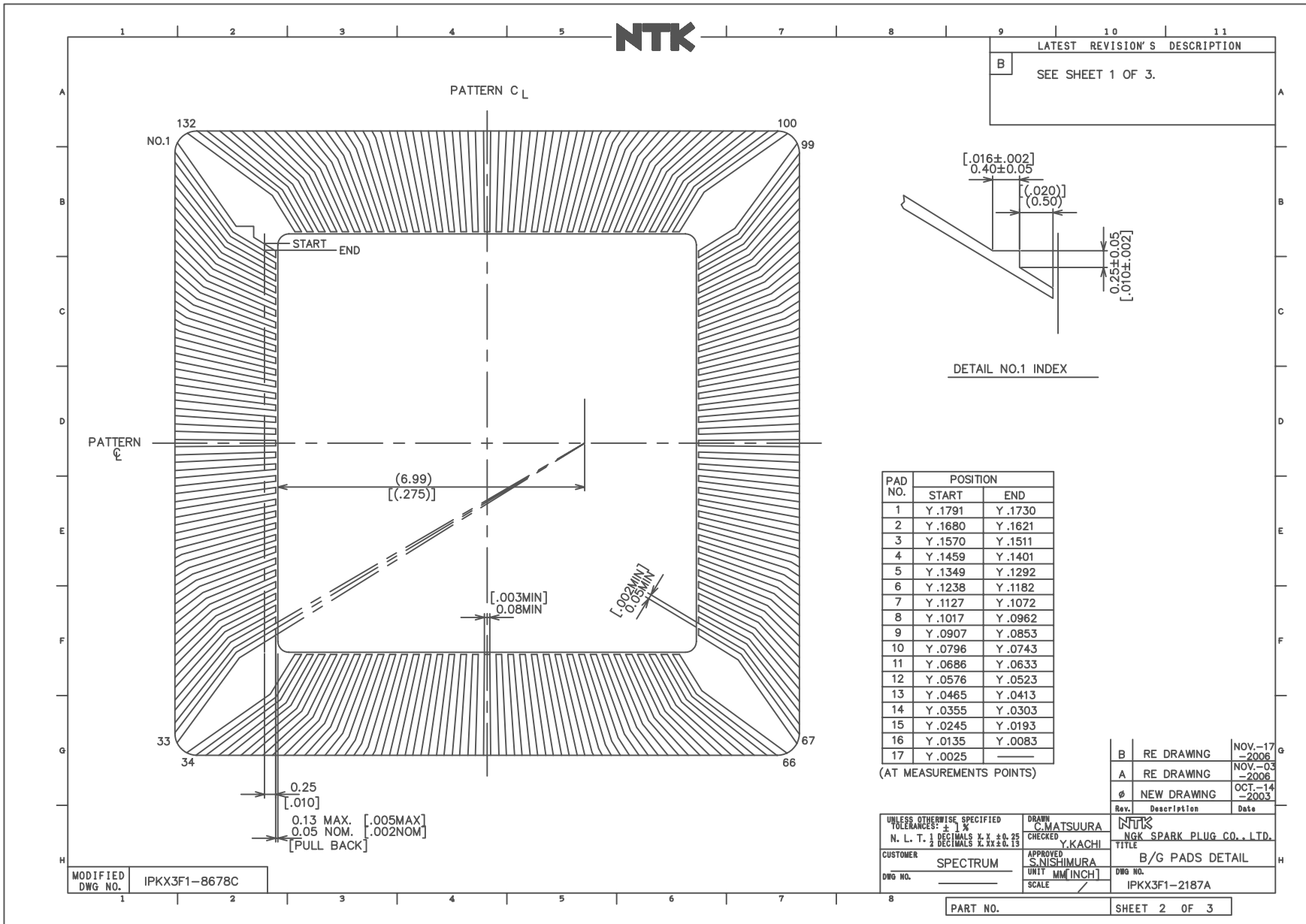


SSM P/N: CPG13229



SSM P/N: CPG13229

NTK

	9	10	11
	LATEST	REVISION'S	DESCRIPTION
B	SEE SHEET 1 OF 3.		

CONNECTION TABLE

PAD	PIN	PAD	PIN	PAD	PIN	PAD	PIN	PAD	PIN	PAD	PIN
1	C3	23	K1	45	N6	67	M12	89	E14	111	B9
2	B1	24	L1	46	P6	68	N14	90	D14	112	A9
3	C2	25	K2	47	P7	69	M13	91	E13	113	A8
4	D3	26	M1	48	N7	70	L12	92	C14	114	B8
5	C1	27	L2	49	M7	71	M14	93	D13	115	C8
6	D2	28	K3	50	M8	72	L13	94	E12	116	C7
7	D1	29	N1	51	N8	73	L14	95	B14	117	B7
8	E3	30	M2	52	P8	74	K12	96	C13	118	A7
9	E2	31	L3	53	P9	75	K13	97	D12	119	A6
10	E1	32	P1	54	N9	76	K14	98	A14	120	B6
11	F3	33	N2	55	M9	77	J12	99	B13	121	C6
12	F2	34	M3	56	P10	78	J13	100	C12	122	A5
13	F1	35	P2	57	P11	79	J14	101	A13	123	A4
14	G1	36	N3	58	N10	80	H14	102	B12	124	B5
15	G2	37	M4	59	P12	81	H13	103	C11	125	A3
16	G3	38	P3	60	N11	82	H12	104	A12	126	B4
17	H3	39	N4	61	M10	83	G12	105	B11	127	C5
18	H2	40	P4	62	P13	84	G13	106	A11	128	A2
19	H1	41	M5	63	N12	85	G14	107	C10	129	B3
20	J1	42	N5	64	M11	86	F14	108	B10	130	C4
21	J2	43	P5	65	P14	87	F13	109	A10	131	A1
22	J3	44	M6	66	N13	88	F12	110	C9	132	B2

B	RE DRAWING	NOV.-17 -2006
A	RE DRAWING	NOV.-03 -2006
∅	NEW DRAWING	OCT.-14 -2003
Rev.	Description	Date

UNLESS OTHERWISE SPECIFIED
TOLERANCES: ± 1%
N. L. T. 1 DECIMALS X, Y ± 0.25
2 DECIMALS X, Y ± 0.13

DRAWN
C.MATSUURA
CHECKED
Y.KACHI

NTK
NGK SPARK PLUG CO., LTD.
TITLE

CUSTOMER
SPECTRUM
DWG NO.

APPROVED
S.NISHIMURA
UNIT
MM [INCH]
SCALE

CONNECTION TABLE
DWG NO.
IPKX3F1-2187A

MODIFIED
DWG NO. IPKX3F1-8678C

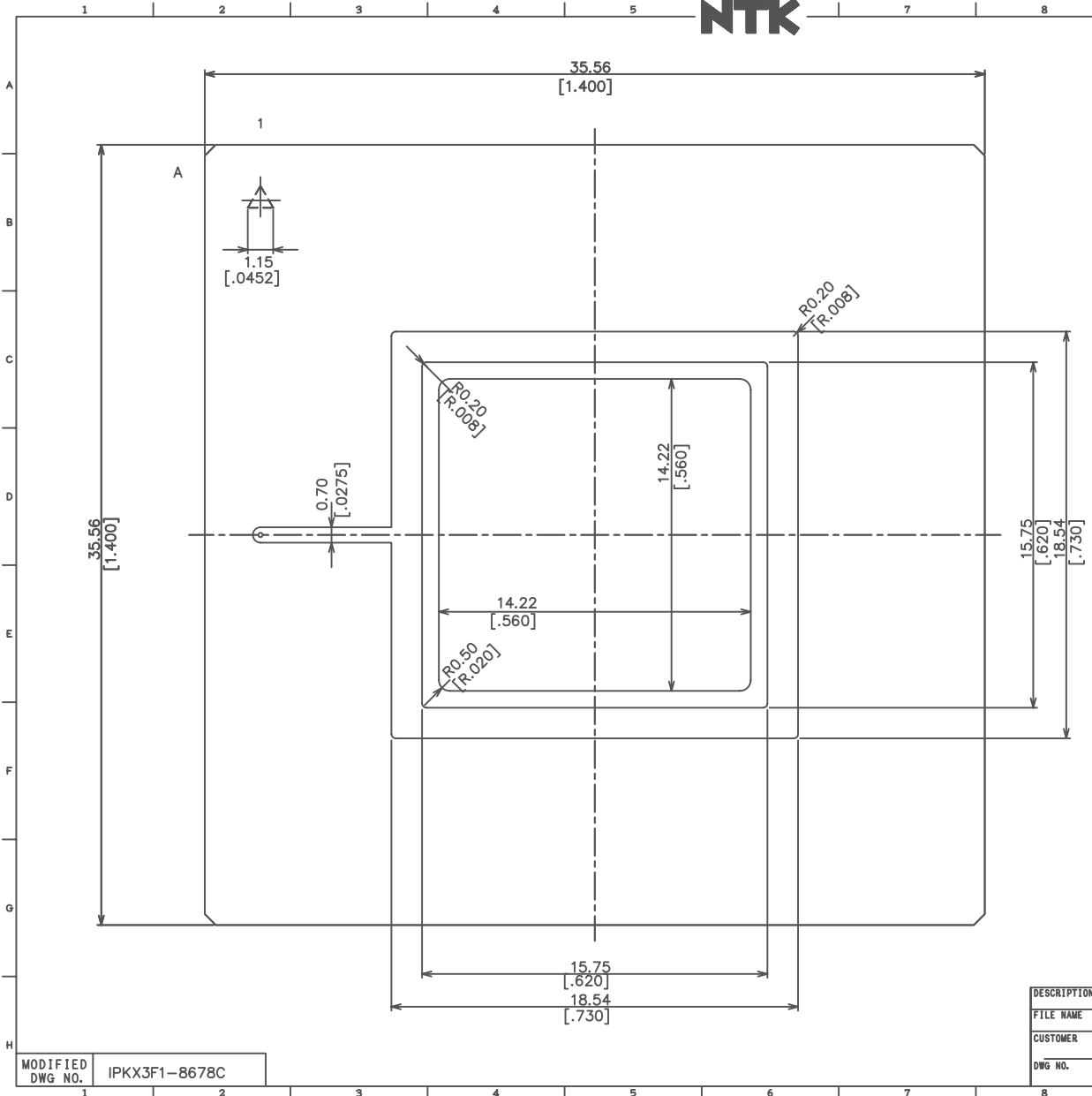
PART NO. SHEET 3 OF 3



SSM P/N: CPG13229

NTK

LATEST REVISION'S DESCRIPTION	
B	CHG. UNIT. MM[INCH] WAS MM.



MODIFIED DWG NO.	IPKX3F1-8678C
------------------	---------------

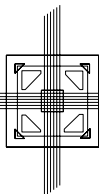
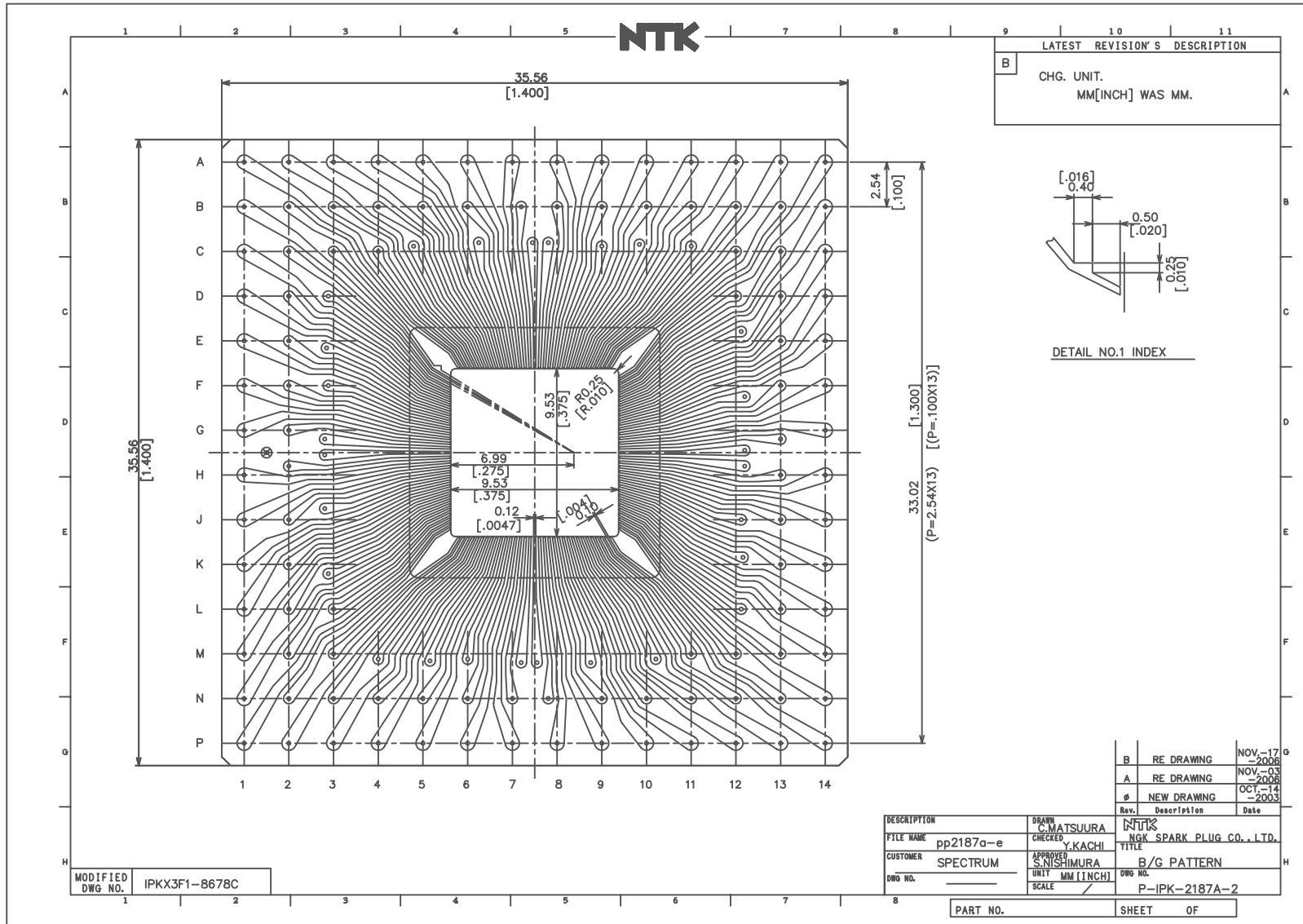
Rev.	Description	Date
B	RE DRAWING	NOV.-17-2006
A	RE DRAWING	NOV.-03-2006
Ø	NEW DRAWING	OCT.-14-2003

DESCRIPTION	DRAWN	C.MATSUURA	NTK
FILE NAME	CHECKED	Y.KACHI	NGK SPARK PLUG CO., LTD.
CUSTOMER	APPROVED	S.NISHIMURA	INDEX PASTE
DWG NO.	UNIT	MM [INCH]	S/R PATTERN
	SCALE	/	DWG NO. P-IPK-2187A-4
			P-IPK-2187A-3

PART NO. SHEET OF



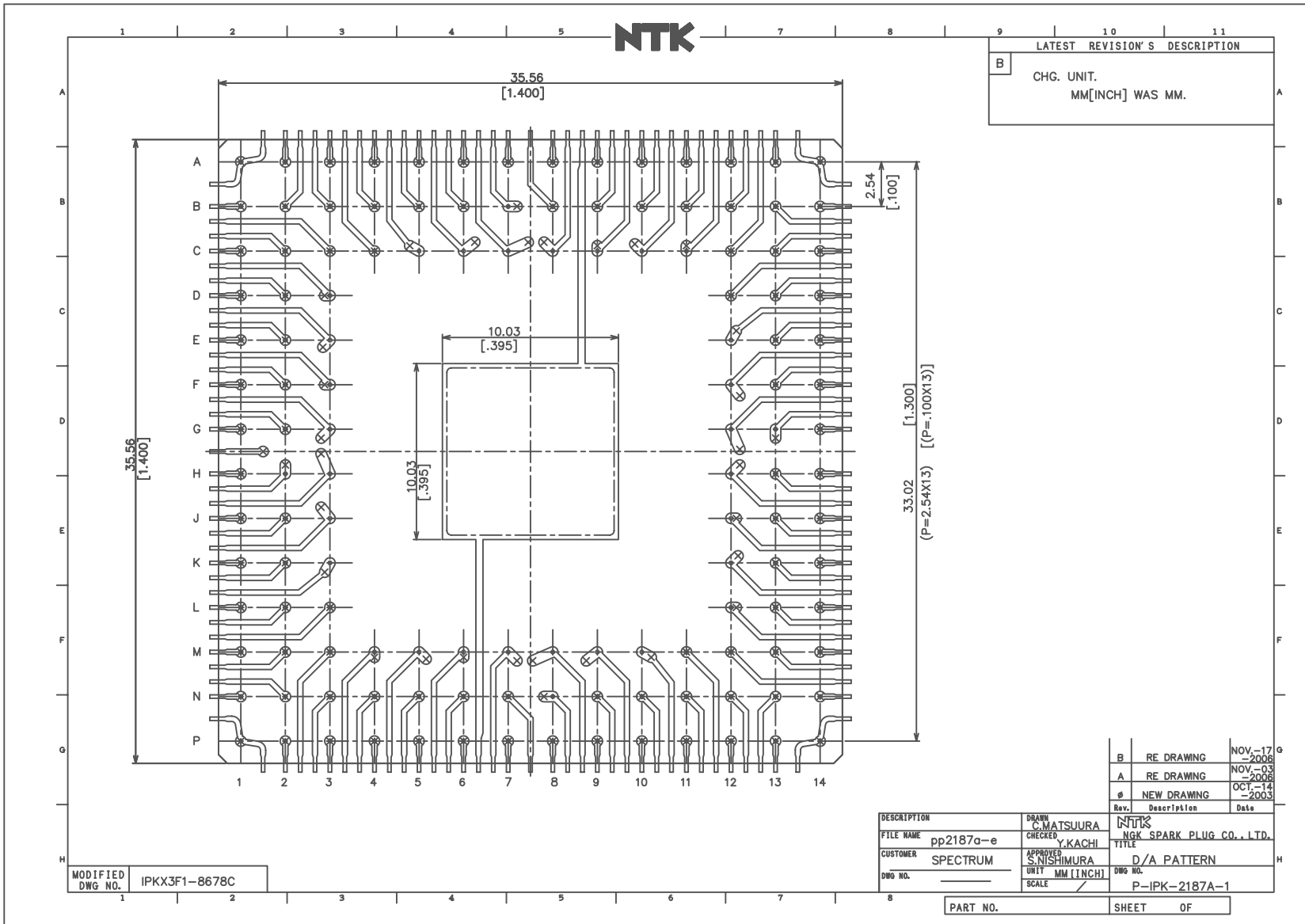
SSM P/N: CPG13229



SPECTRUM
SEMICONDUCTOR MATERIALS, INC.

www.spectrum-semi.com Phone: 408-435-5555 Fax: 408-435-8226

SSM P/N: CPG13229



SSM P/N: CPG13229

