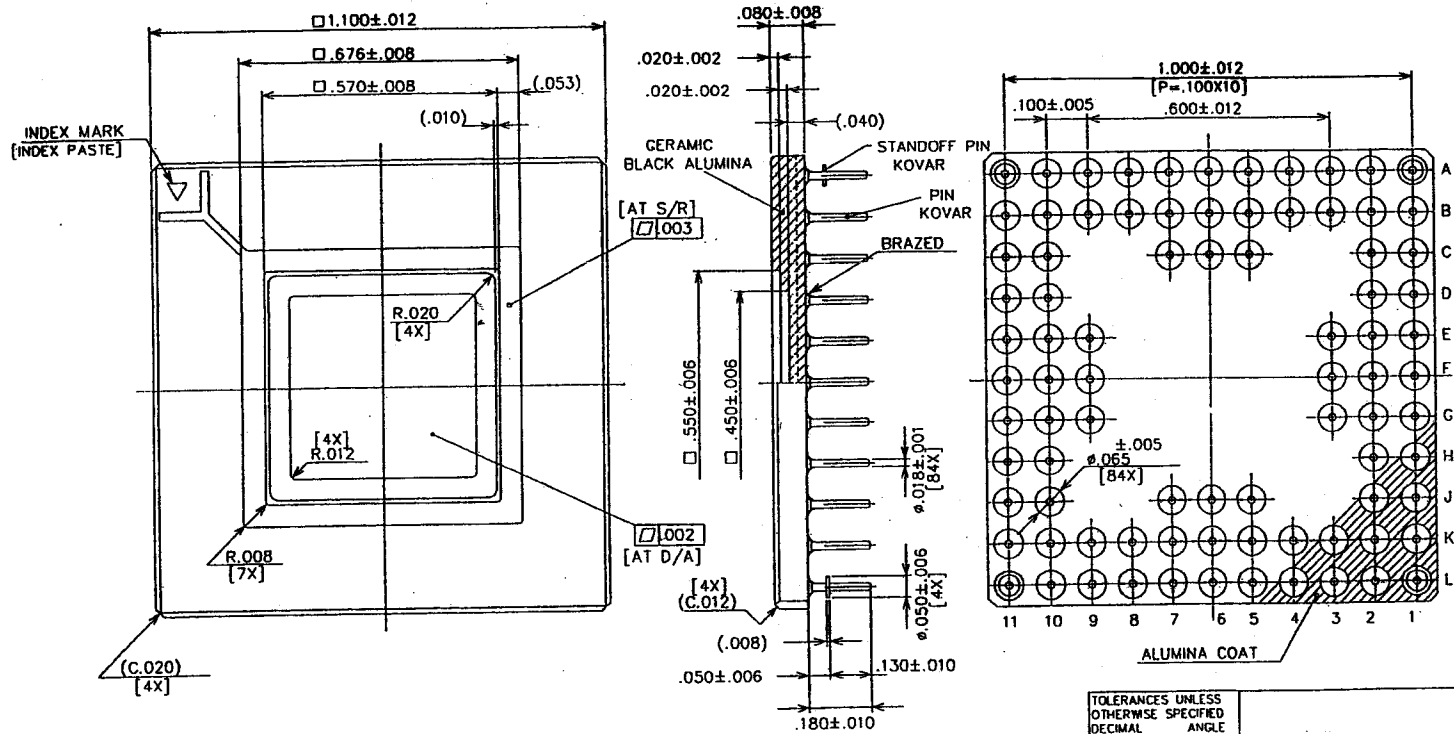


SSM P/N CPG08457



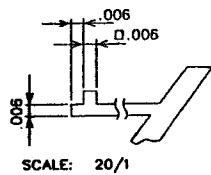
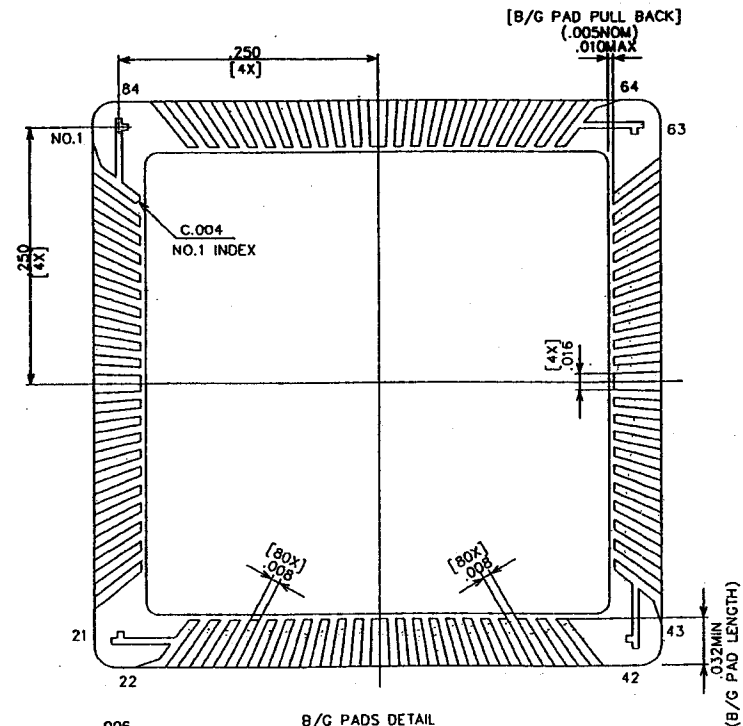
NOTES: (UNLESS OTHERWISE SPECIFIED)

- GOLD PLATE 60μ " MIN OVER 100μ " MIN NICKEL
- NO LEAD TO BE ELECTRICALLY CONNECTED TO THE DIE ATTACH PAD. SEAL RING ISOLATED.
- LEAD RESISTANCE:
 PAD NO. 1,11,22,32,43,53,64,74 -----200m Ω MAX.
 THE OTHERS -----500m Ω MAX.

TOLERANCES UNLESS OTHERWISE SPECIFIED			
DECIMAL	ANGLE		
.X	$\pm 1^\circ$		
.XX			
.XXX	$\pm .005$		
APPROVALS	DATE		
DRAWN <i>AA</i>	07/18/96	GU 84 (.450 SQ)	
CHECKED			
FILE: MSC45411	DO NOT SCALE DRAWING	STOCK NO. 17-040-084	DRAWING NO. MSC-4541 00
		SHEET 1 OF 2	



SSM P/N CPG08457



CONNECTION TABLE (PAD - PIN)

PAD	PIN	PAD	PIN	PAD	PIN	PAD	PIN
1	B2	22	K2	43	K10	64	B10
2	C2	23	K3	44	J10	65	B9
3	B1	24	L2	45	K11	66	A10
4	C1	25	L3	46	J11	67	A9
5	D2	26	K4	47	H10	68	B8
6	D1	27	L4	48	H11	69	A8
7	E3	28	J5	49	F10	70	B6
8	E2	29	K5	50	G10	71	B7
9	E1	30	L5	51	G11	72	A7
10	F2	31	K6	52	G9	73	C7
11	F3	32	J6	53	F9	74	C6
12	G3	33	J7	54	F11	75	A6
13	G1	34	L7	55	E11	76	A5
14	G2	35	K7	56	E10	77	B5
15	F1	36	L6	57	E9	78	C5
16	H1	37	L8	58	D11	79	A4
17	H2	38	K8	59	D10	80	B4
18	J1	39	L9	60	C11	81	A3
19	K1	40	L10	61	B11	82	A2
20	J2	41	K9	62	C10	83	B3
21	L1	42	L11	63	A11	84	A1

TOLERANCES UNLESS OTHERWISE SPECIFIED			
DECIMAL	ANGLE		
.X	± 1°		
.XX			
.XXX ± .005			
APPROVALS	DATE		
DRAWN	07/18/96	SCALE	
CHECKED		10/1	
		SIZE	
		B	
		REV	
		00	
STOCK NO.		DRAWING NO.	
17-040-084		MSC-4541	
FILE: MSC45412		DO NOT SCALE DRAWING SHEET 2 OF 2	

