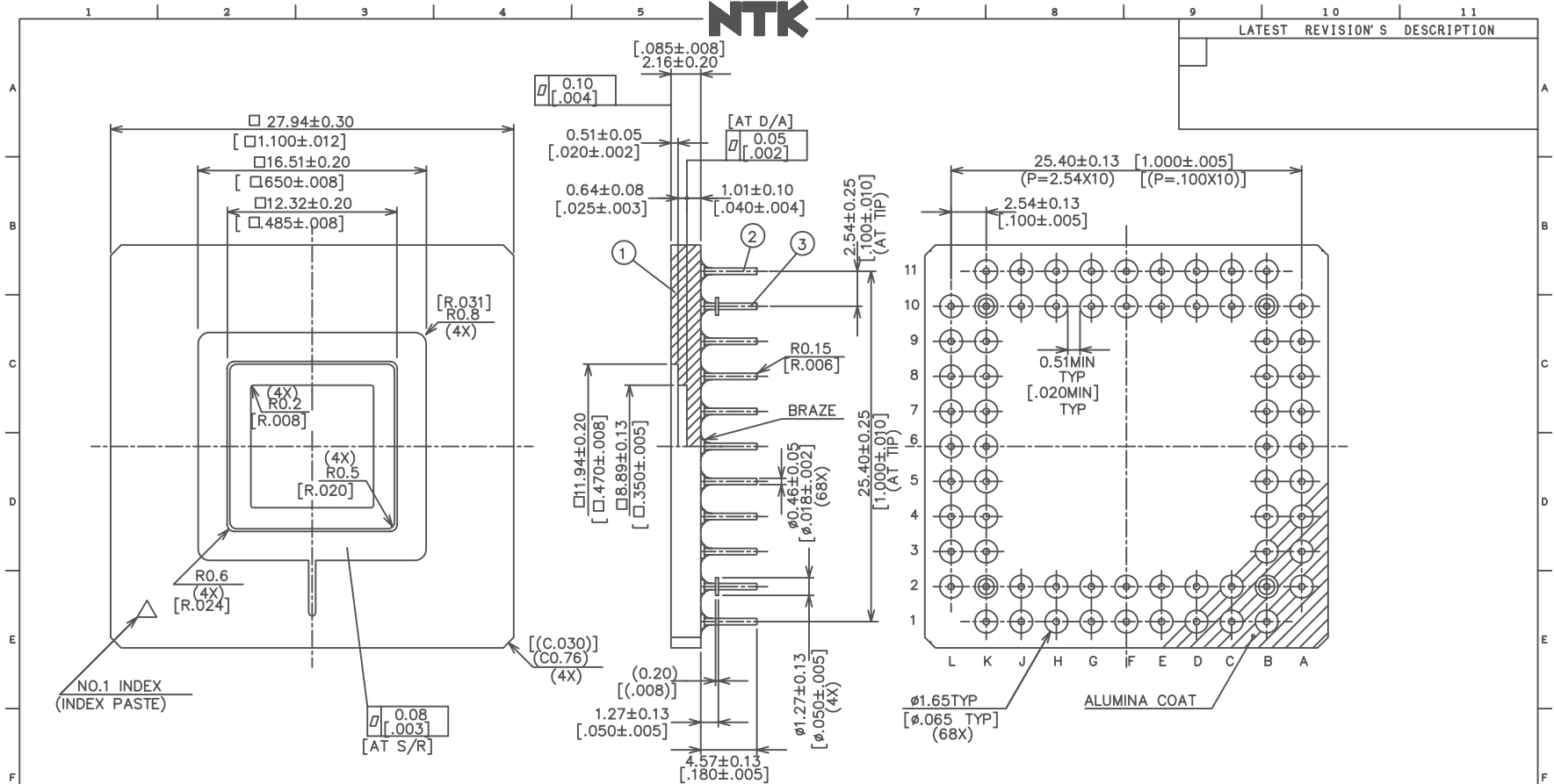


NTK

LATEST REVISION S DESCRIPTION



- NOTES:
1. GOLD PLATE 1.52~5.08m[60~200? INCHES] OVER 2.54~8.89m[100~350? INCHES] NICKEL.
 2. LEAD RESISTANCE: ALL LEADS ----- 500m?MAX
 3. DIE ATTACH PAD TO BE ELECTRICALLY ISOLATED FROM ANY PADS. S/R ISOLATED.
 4. TOLERANCE TO BE NOT LESS THAN ±0.13[±.005] UNLESS OTHERWISE SPECIFIED OF DRAWING.
 5. NTK SPEC YS-1010 SHALL APPLY.

MODIFIED DWG NO. IPK68F1-1206B

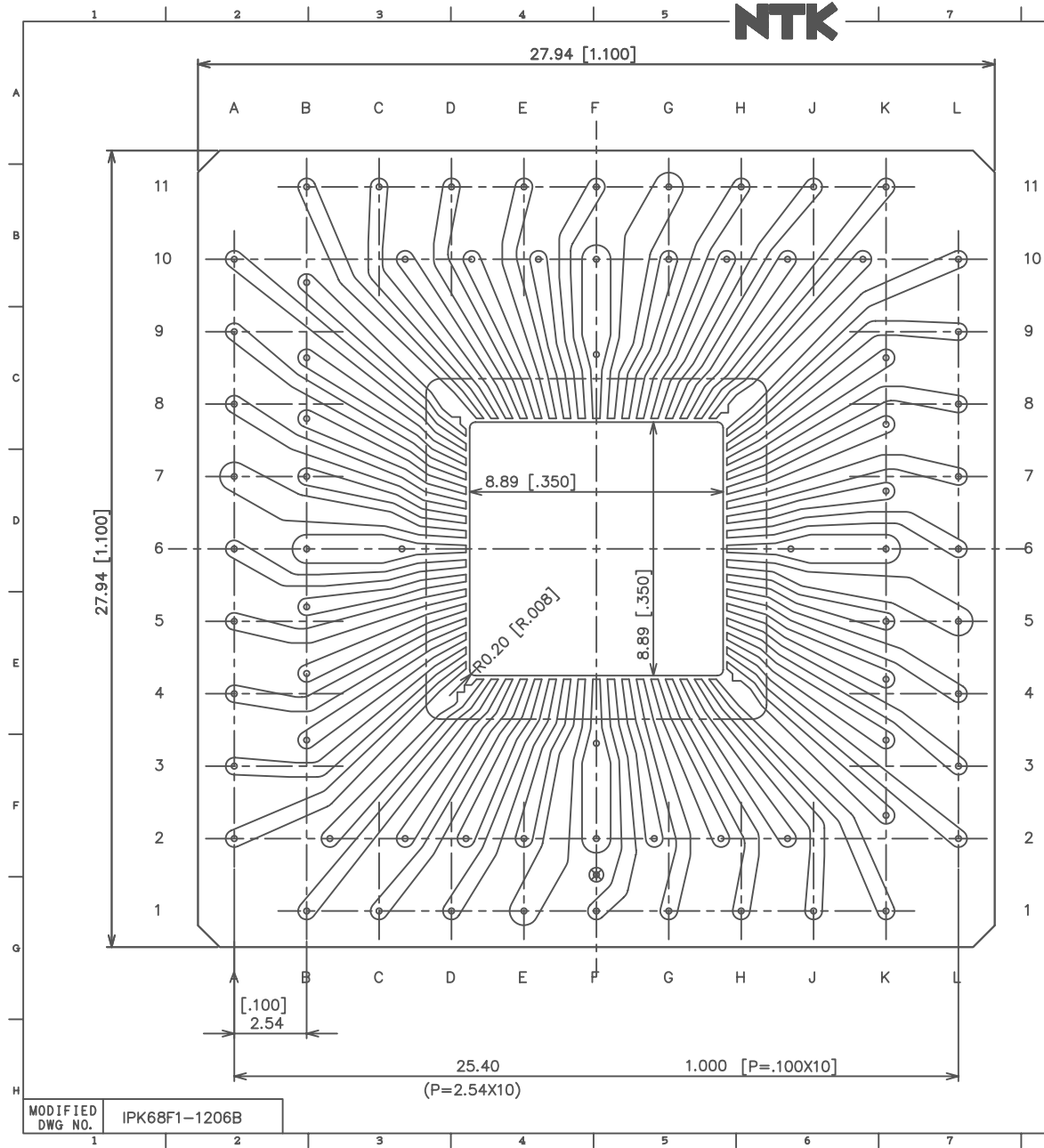
3	STAND OFF PIN	KOVAR				
2	PIN	KOVAR				
1	CERAMIC	BLACK ALUMINA		NEW DRAWING	NOV-10-2006	
Item	Name	Material	Description	Rev.	Description	Date
UNLESS OTHERWISE SPECIFIED TOLERANCES: ± 1%			DRAWN			
N. L. T. ± 0.13mm ± 0.005 INCHES ± 0.005			CHECKED			
CUSTOMER	SPECTRUM	APPROVED	S. NISHIMURA			
DWG NO.		UNIT	MM [INCH]	DWG NO.		
		SCALE			IPK68F1-1206D	

PART NO. SHEET 1 OF 2



NTK

9	10	11
LATEST REVISION S		DESCRIPTION



MODIFIED DWG NO. IPK68F1-1206B

DESCRIPTION	DRAWN T.MIWA	Rev.	NEW DRAWING	NOV-10-2006
FILE NAME pp1206d-e	CHECKED Y.KACHI	NTK		
CUSTOMER SPECTRUM	APPROVED S.NISHIMURA	NGK SPARK PLUG CO., LTD.		
DWG NO.	UNIT MM [INCH]	TITLE B/G PATTERN		
	SCALE /	DWG NO. P-IPK-1206A-2		

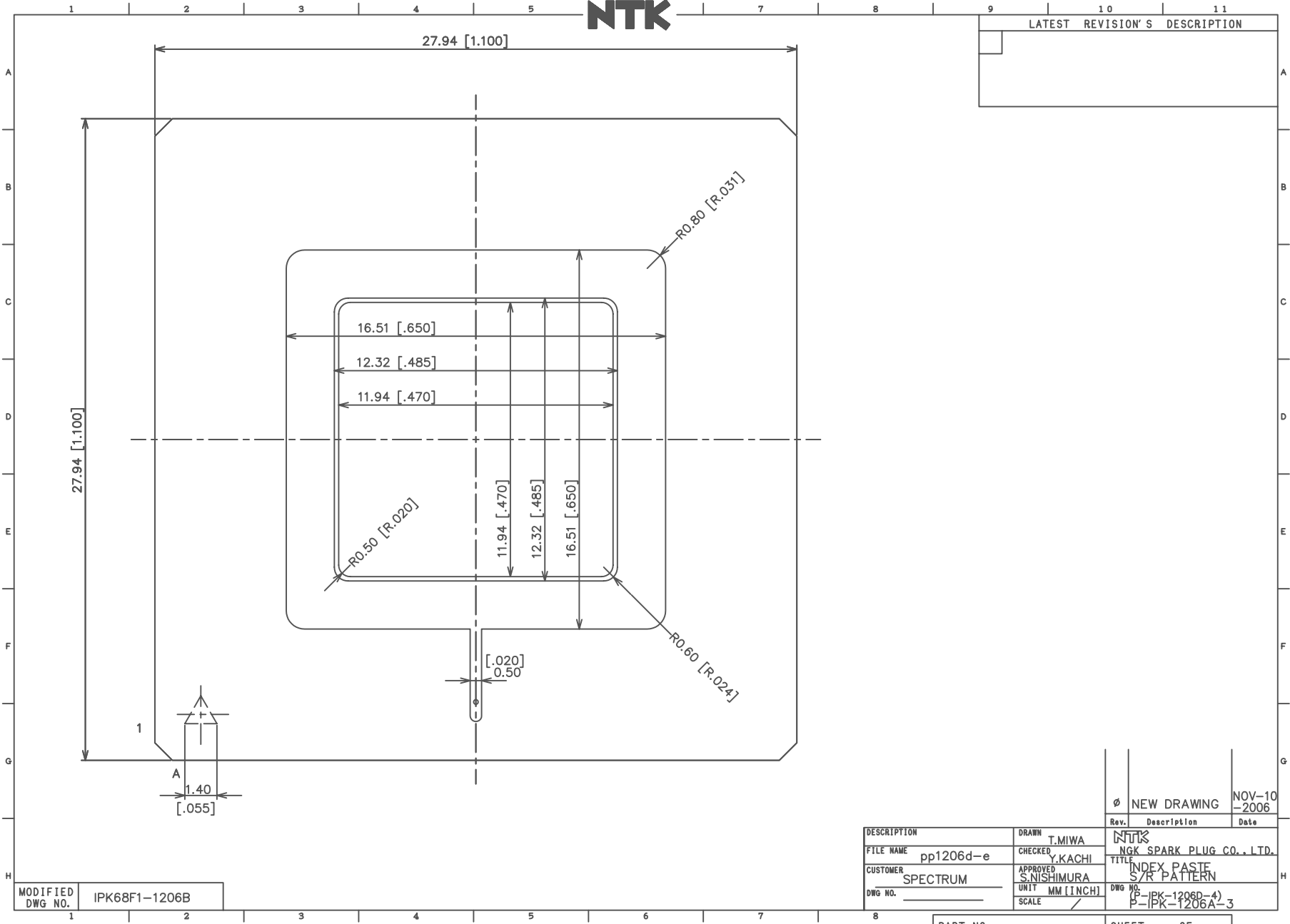
PART NO. SHEET OF



SSM P/N CPG06874

NTK

LATEST REVISION S DESCRIPTION



MODIFIED DWG NO. 1 IPK68F1-1206B

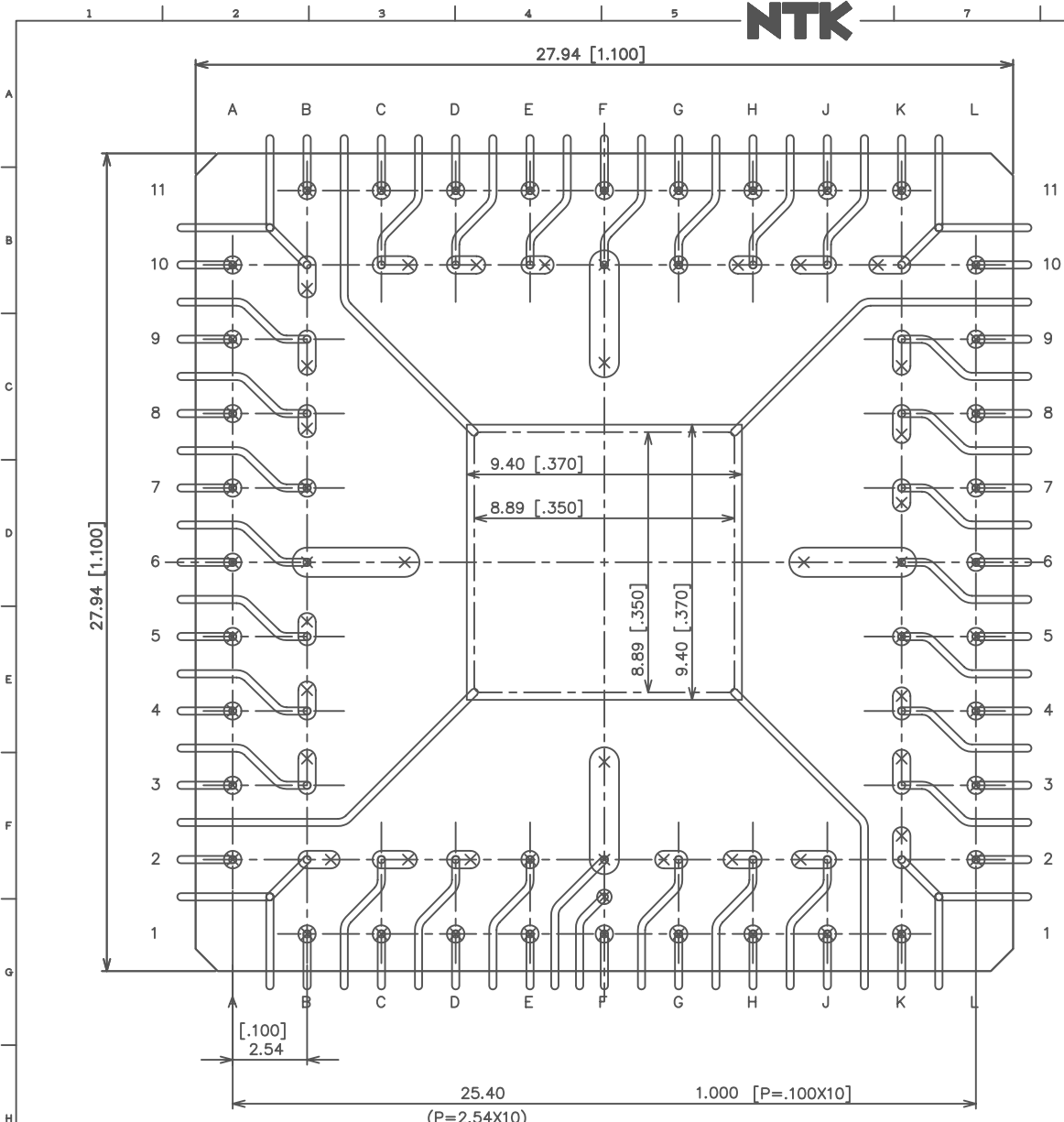
DESCRIPTION	DRAWN T.MIWA	Rev.	NEW DRAWING	Date	NOV-10-2006
FILE NAME pp1206d-e	CHECKED Y.KACHI	NTK NGK SPARK PLUG CO., LTD.			
CUSTOMER SPECTRUM	APPROVED S.NISHIMURA	TITLE INDEX PASTE S/R PATTERN			
DWG NO.	UNIT MM (INCH)	DWG NO.	P-IPK-1206D-4		
	SCALE	P-IPK-1206A-3			

PART NO. SHEET OF



NTK

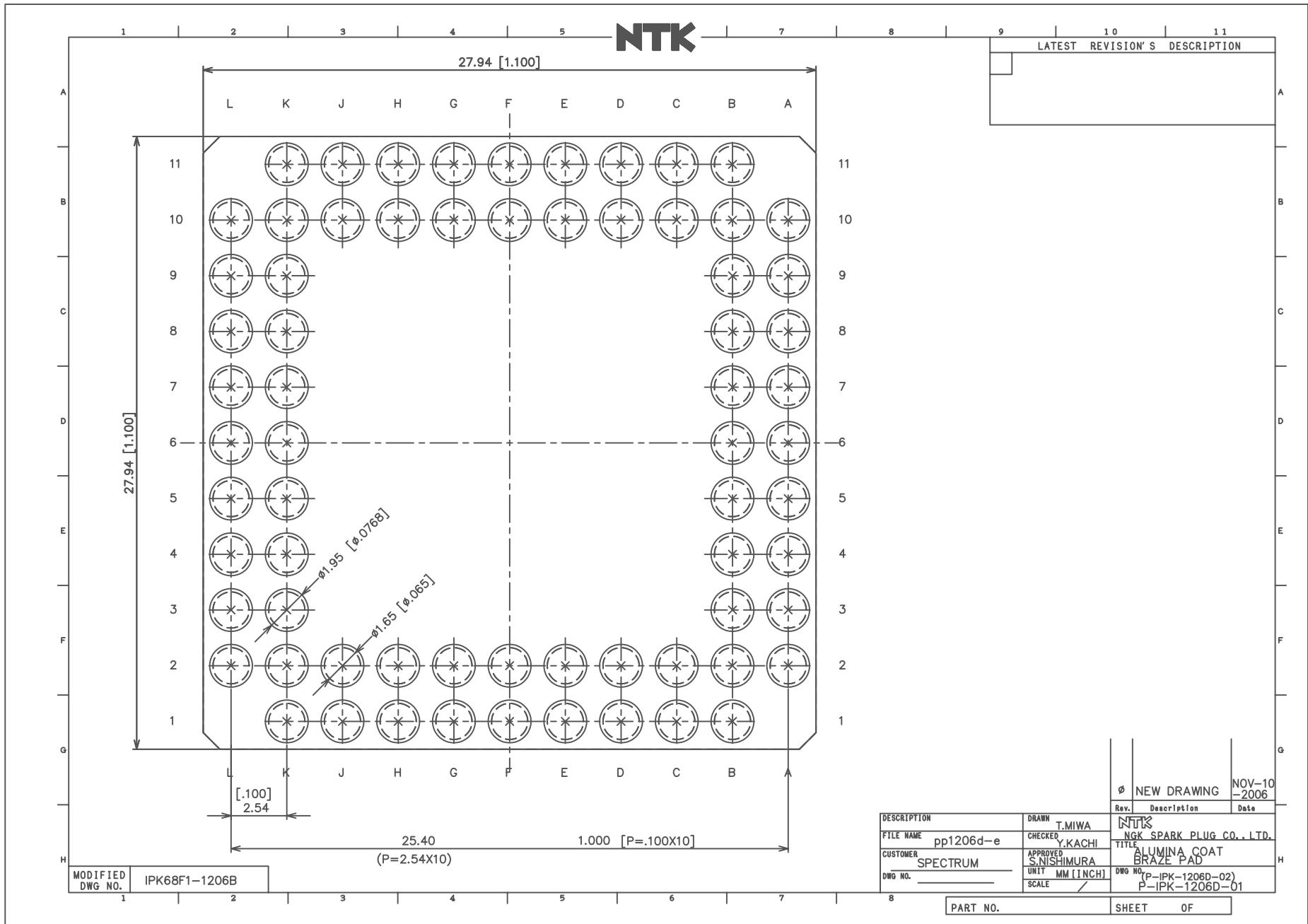
9	10	11
LATEST REVISION'S		DESCRIPTION



MODIFIED DWG NO. IPK68F1-1206B

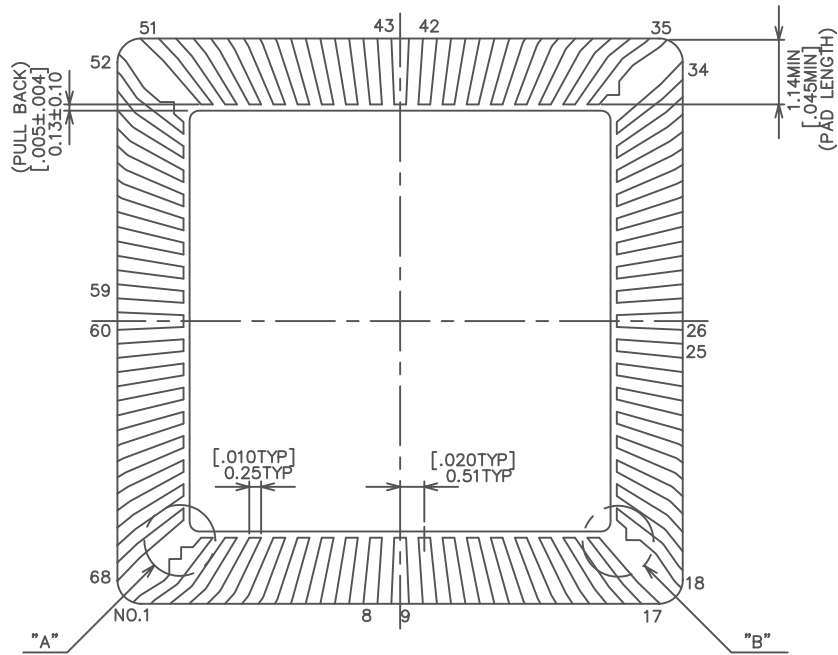
DESCRIPTION	DRAWN T.MIWA	Rev.	NEW DRAWING	Date	NOV-10-2006
FILE NAME pp1206d-e	CHECKED Y.KACHI	NTK NGK SPARK PLUG CO., LTD.			
CUSTOMER SPECTRUM	APPROVED S.NISHIMURA	TITLE D/A PATTERN			
DWG NO.	UNIT MM [INCH]	DWG NO. P-IPK-1206A-1			
SCALE		PART NO. SHEET OF			





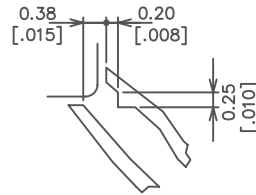
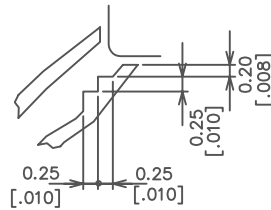


REV.	DATE	DESCRIPTION



CONNECTION TABLE

PAD	PIN	PAD	PIN	PAD	PIN	PAD	PIN
1	B2	18	K2	35	K10	52	B10
2	B1	19	L2	36	K11	53	A10
3	C2	20	K3	37	J10	54	B9
4	C1	21	L3	38	J11	55	A9
5	D2	22	K4	39	H10	56	B8
6	D1	23	L4	40	H11	57	A8
7	E2	24	K5	41	G10	58	B7
8	E1	25	L5	42	G11	59	A7
9	F2	26	K6	43	F10	60	B6
10	F1	27	L6	44	F11	61	A6
11	G2	28	K7	45	E10	62	B5
12	G1	29	L7	46	E11	63	A5
13	H2	30	K8	47	D10	64	B4
14	H1	31	L8	48	D11	65	A4
15	J2	32	K9	49	C10	66	B3
16	J1	33	L9	50	C11	67	A3
17	K1	34	L10	51	B11	68	A2



MODIFIED DWG NO. IPK68F1-1206B

UNLESS OTHERWISE SPECIFIED
TOLERANCES: ± 1%
N. L. T. ~~NO DIMENSIONS TO BE SHOWN~~
CUSTOMER SPECTRUM
DWG NO.

DRAWN T.MIWA
CHECKED Y.KACHI
APPROVED S.NISHIMURA
UNIT MM [INCH]
SCALE /

Rev.	Description	Date
	NEW DRAWING	NOV-10-2006

NTK
NGK SPARK PLUG CO., LTD.
TITLE B/G PADS DETAIL & CONNECTION TABLE
DWG NO. IPK68F1-1206D

PART NO.

SHEET 2 OF 2

