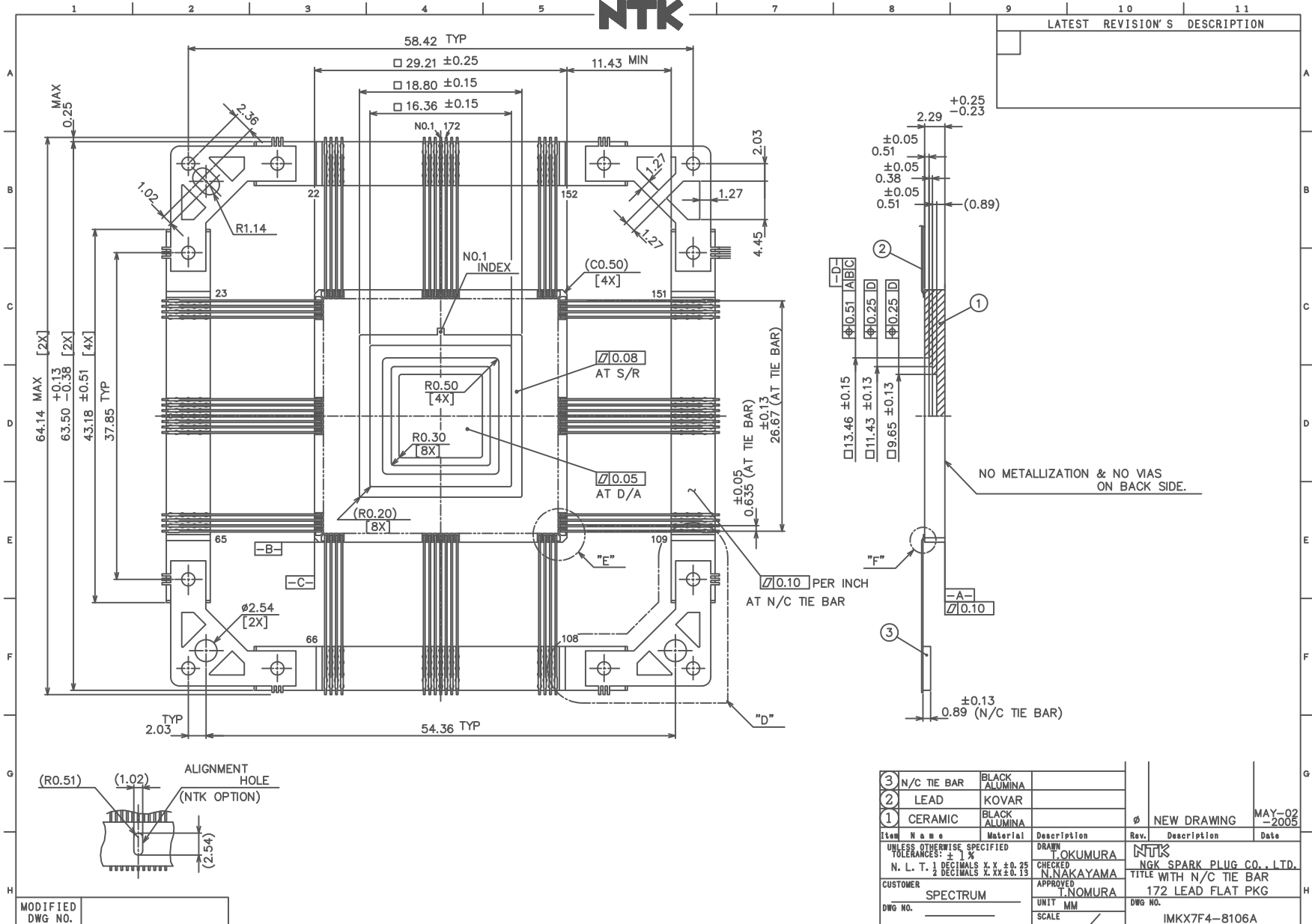


NTK



LATEST REVISION'S DESCRIPTION	

3	N/C TIE BAR	BLACK ALUMINA			
2	LEAD	KOVAR			
1	CERAMIC	BLACK ALUMINA		NEW DRAWING	MAY-02-2005
Item Name	Material	Description	Rev.	Description	Date
UNLESS OTHERWISE SPECIFIED TOLERANCES: ± 1%		DRAWN	NTK		
N. L. T. 1 DECIMALS X.X ± 0.25		CHECKED	NGK SPARK PLUG CO., LTD.		
2 DECIMALS X.XX ± 0.13		APPROVED	TITLE WITH N/C TIE BAR		
CUSTOMER	SPECTRUM	UNIT	172 LEAD FLAT PKG		
DWG NO.		SCALE	DWG NO.	IMKX7F4-8106A	

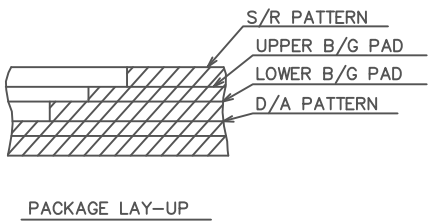
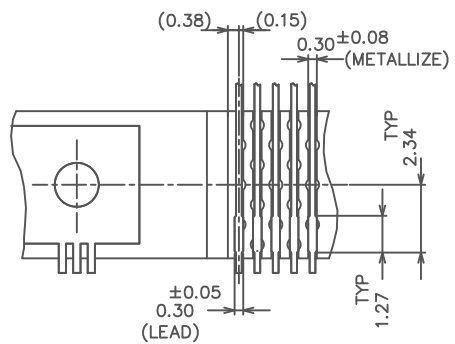
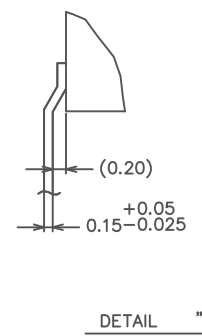
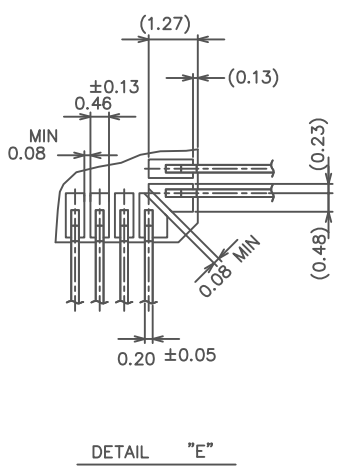
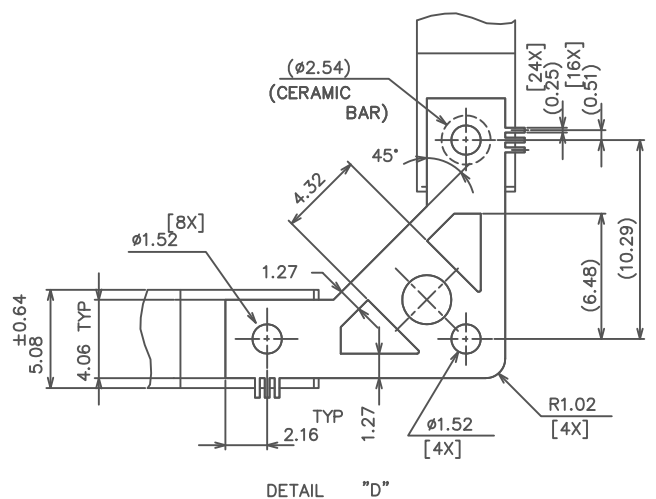
MODIFIED DWG NO.

PART NO. SHEET 1 OF 3





LATEST REVISION'S DESCRIPTION



- NOTES:
- 1, GOLD PLATE 1.52?m MIN OVER 2.03?m MIN NICKEL.
 - 2, "G" PAD TO BE ELECTRICALLY CONNECTED TO THE DIE ATTACH PAD. SEAL RING ISOLATED.
 - 3, LEAD PULL STRENGTH : 0.5 Lbs MIN (AT 90°)
 - 4, NTK SPEC YS-1025 SHALL APPLY.
 - 5, SEAL RING & DIE ATTACH PAD TO BE METALLIZED.
 - 6, ONE TO ONE CONNECTION BETWEEN PACKAGE PAD AND PACKAGE LEAD AND ALL PACKAGE PADS/LEADS TO BE ISOLATED FORM ONE ANOTHER.

MODIFIED DWG NO. 1 2 3 4 5 6 7 8

UNLESS OTHERWISE SPECIFIED TOLERANCES: ± 1% N. L. T. 1 DECIMALS X, Y ±0.25 2 DECIMALS X, Y ±0.13		DRAWN T. OKUMURA	NTK
CUSTOMER SPECTRUM		CHECKED N. NAKAYAMA	NGK SPARK PLUG CO., LTD.
DWG NO.		APPROVED T. NOMURA	PARTS DETAIL & NOTES
		UNIT MM	DWG NO. IMKX7F4-8106A
		SCALE /	

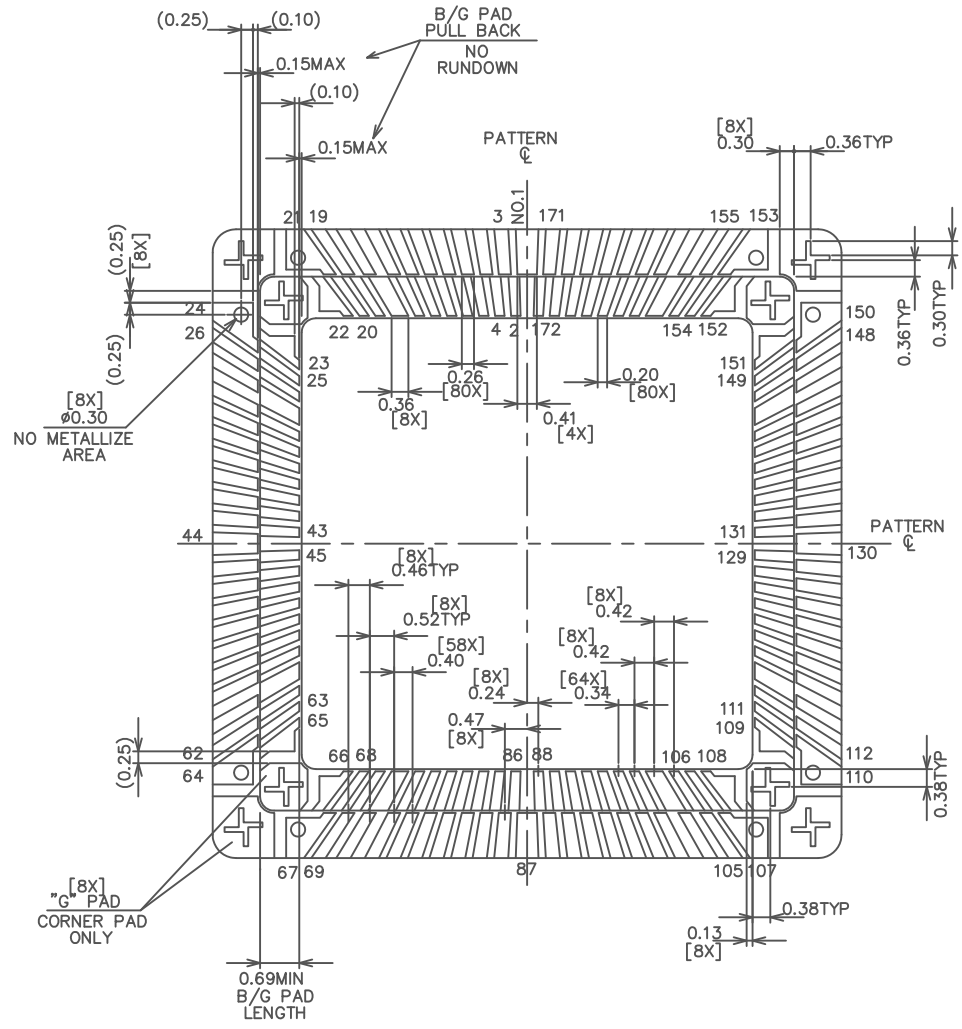
PART NO. SHEET 2 OF 3





LATEST REVISION S		DESCRIPTION

A
B
C
D
E
F
G
H



MODIFIED DWG NO.

UNLESS OTHERWISE SPECIFIED TOLERANCES: ± 1 % N. L. T. 1 DECIMALS X. Y. Z 0.25 2 DECIMALS X. Y. Z 0.13	DRAWN T. OKUMURA	NTK
CUSTOMER SPECTRUM	CHECKED N. NAKAYAMA	NGK SPARK PLUG CO., LTD.
DWG NO.	APPROVED T. NOMURA	TITLE B/G PADS DETAIL
	UNIT MM	DWG NO. IMKX7F4-8106A
	SCALE /	

Rev.	Description	Date
	NEW DRAWING	MAY-02-2005

PART NO. SHEET 3 OF 3

