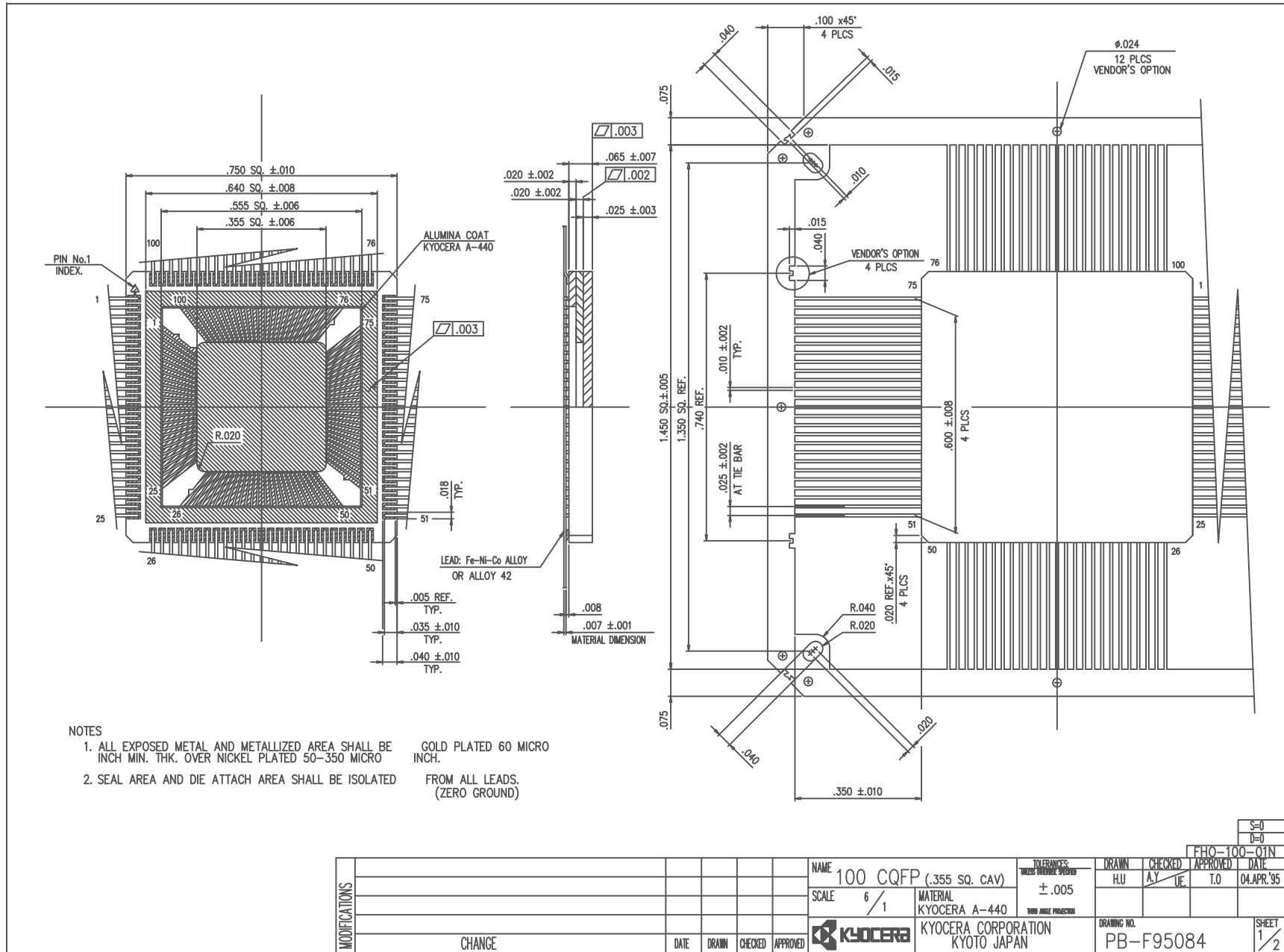


SSM P/N CCF10008

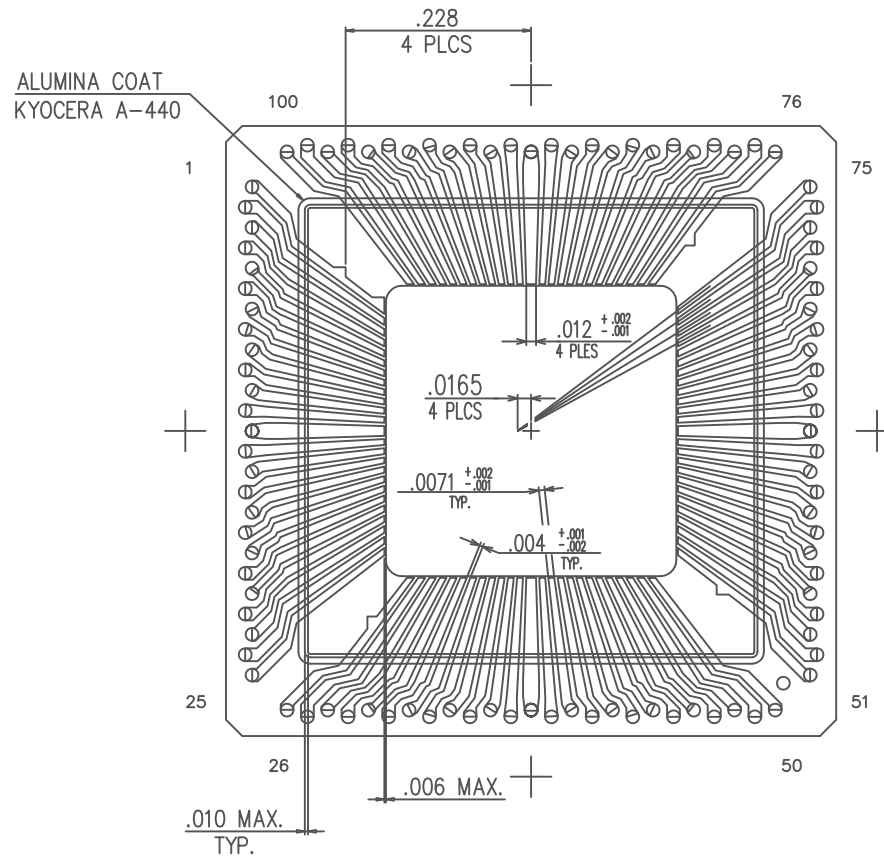


PB-F87469-B (LOO-100FZ) MOD.



Ph: 408.435.5555 email: ssm_sales@spectrum-semi.com

SSM P/N CCF10008



BOND FINGER'S POSITION.

NO.	CENTER	START	END
1	.0000	-.0060	.0060
2	.0136	.0100	.0172
3	.0248	.0212	.0284
4	.0361	.0325	.0397
5	.0476	.0439	.0512
6	.0592	.0554	.0629
7	.0710	.0672	.0748
8	.0830	.0792	.0869
9	.0954	.0914	.0993
10	.1080	.1040	.1121
11	.1210	.1168	.1252
12	.1344	.1301	.1387
13	.1483	.1438	.1527

2 P A

MODIFICATIONS	CHANGE	DATE	DRAWN	CHECKED	APPROVED	NAME	TOLERANCES	DRAWN	CHECKED	APPROVED	DATE
						100 CQFP(.355 SQ. CAV.)	UNLESS OTHERWISE SPECIFIED	H.U.	A.Y.	U.F.	T.O.
						SCALE 10/1	MATERIAL				
							THIRD ANGLE PROJECTION				
							KYOCERA CORPORATION KYOTO JAPAN	DRAWING NO.			SHEET 2/2
								PB-F95084			



Ph: 408.435.5555 email: ssm_sales@spectrum-semi.com

