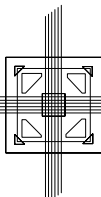
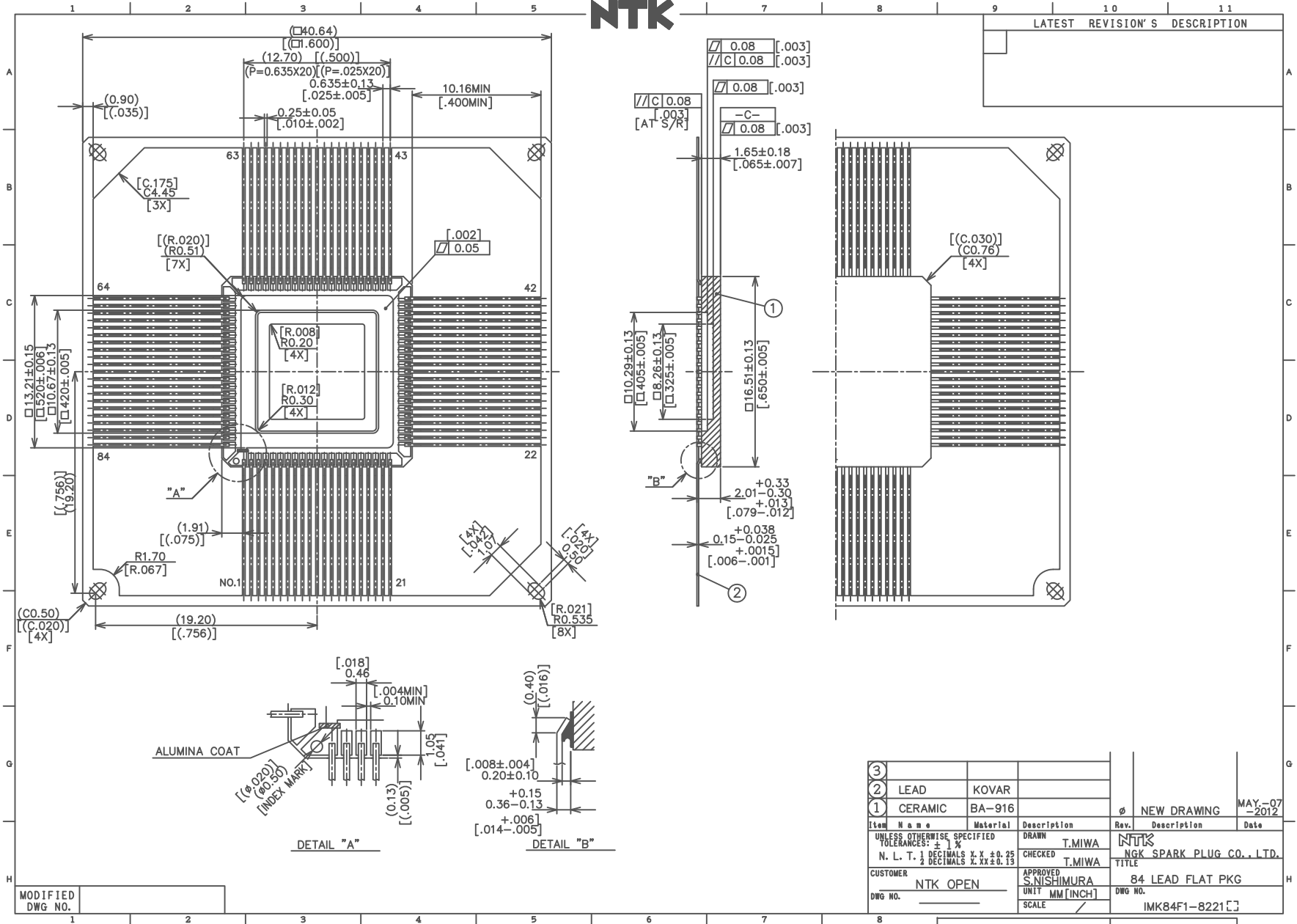


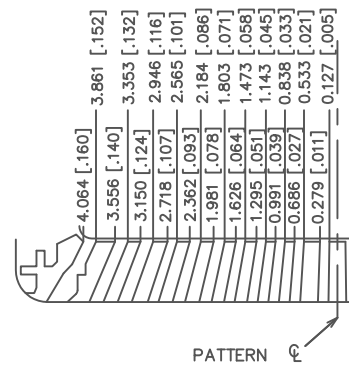
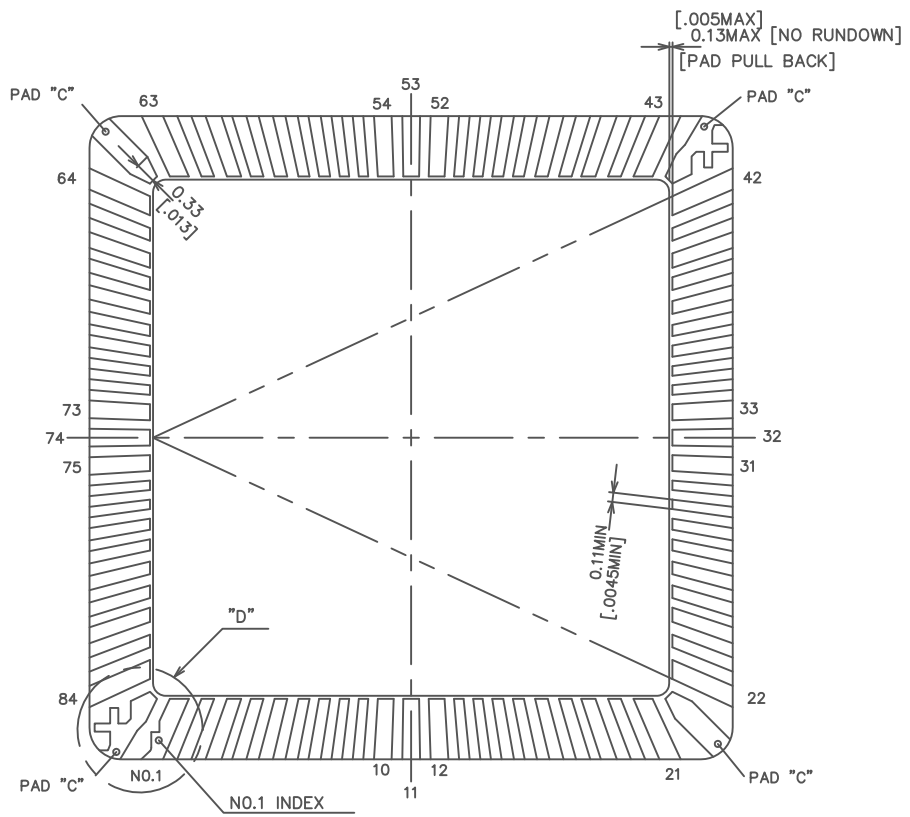
NTK

LATEST REVISION'S DESCRIPTION

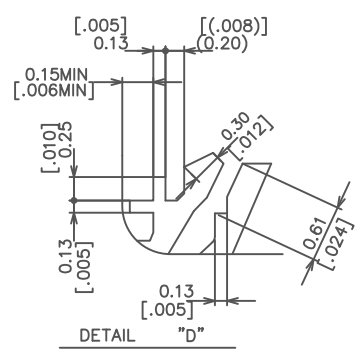


NTK

9	10	11
REVISION	DATE	DESCRIPTION



PAD POSITION DETAIL



DETAIL "D"

MODIFIED DWG NO.

UNLESS OTHERWISE SPECIFIED
TOLERANCES: ± 1%
N. L. T. 1/2 DECIMALS X Y ± 0.25
3/4 DECIMALS X XX ± 0.13

CUSTOMER: NTK OPEN

DWG NO.:

DRAWN: T.MIWA
CHECKED: T.MIWA
APPROVED: S.NISHIMURA
UNIT: MM [INCH]
SCALE: /

Rev.	Description	Date

NEW DRAWING MAY-07-2012

NTK NGK SPARK PLUG CO., LTD.

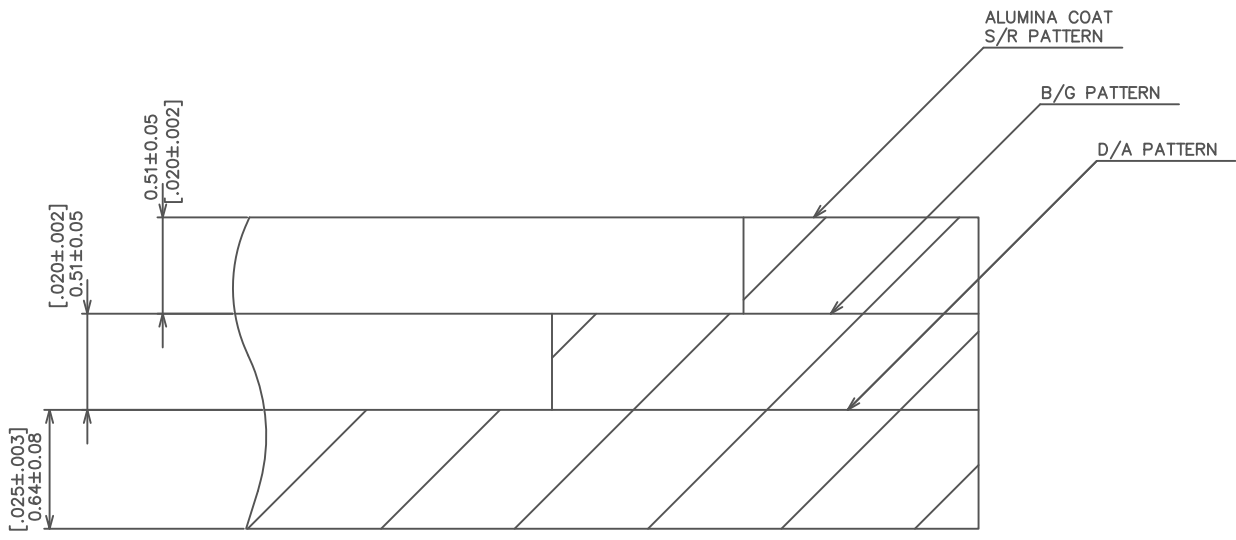
TITLE: B/G PADS DETAIL

DWG NO. IMK84F1-8221□





9	10	11
LATEST	REVISION S	DESCRIPTION



PACKAGE LAY-UP

NOTES:

1. NO LEAD TO BE ELECTRICALLY CONNECTED TO THE DIE ATTACH PAD.
2. LEAD NO.1 TO BE ELECTRICALLY CONNECTED TO THE SEAL RING METALLIZE.
3. CAVITY CORNER PAD "C" TO BE ELECTRICALLY CONNECTED TO DIE ATTACH PAD.
4. RESISTANCE
PIN NO 10,11,12,31,32,33,52,53,54,73,74,75 : 100m Ω MAX
ALL OTHERS : 300m Ω MAX
5. IT SHALL BE PERMISSIBLE FOR PLATING CONTACT MARK ϕ 0.25 MAX ON DIE ATTACH PAD.
[ϕ .010 MAX]
6. NTK SPEC YS-1026 SHALL APPLY.

NTK DWG No.	Au PLATING THK.	Ni PLATING THK.
IMK84F1-8221A	1.5 μ mMIN [60 μ INCHES MIN]	2.0 μ mMIN [80 μ INCHES MIN]
IMK84F1-8221B	2.5 μ mMIN [100 μ INCHES MIN]	2.0 μ mMIN [80 μ INCHES MIN]

ϕ NEW DRAWING MAY-07-2012

Rev.	Description	Date

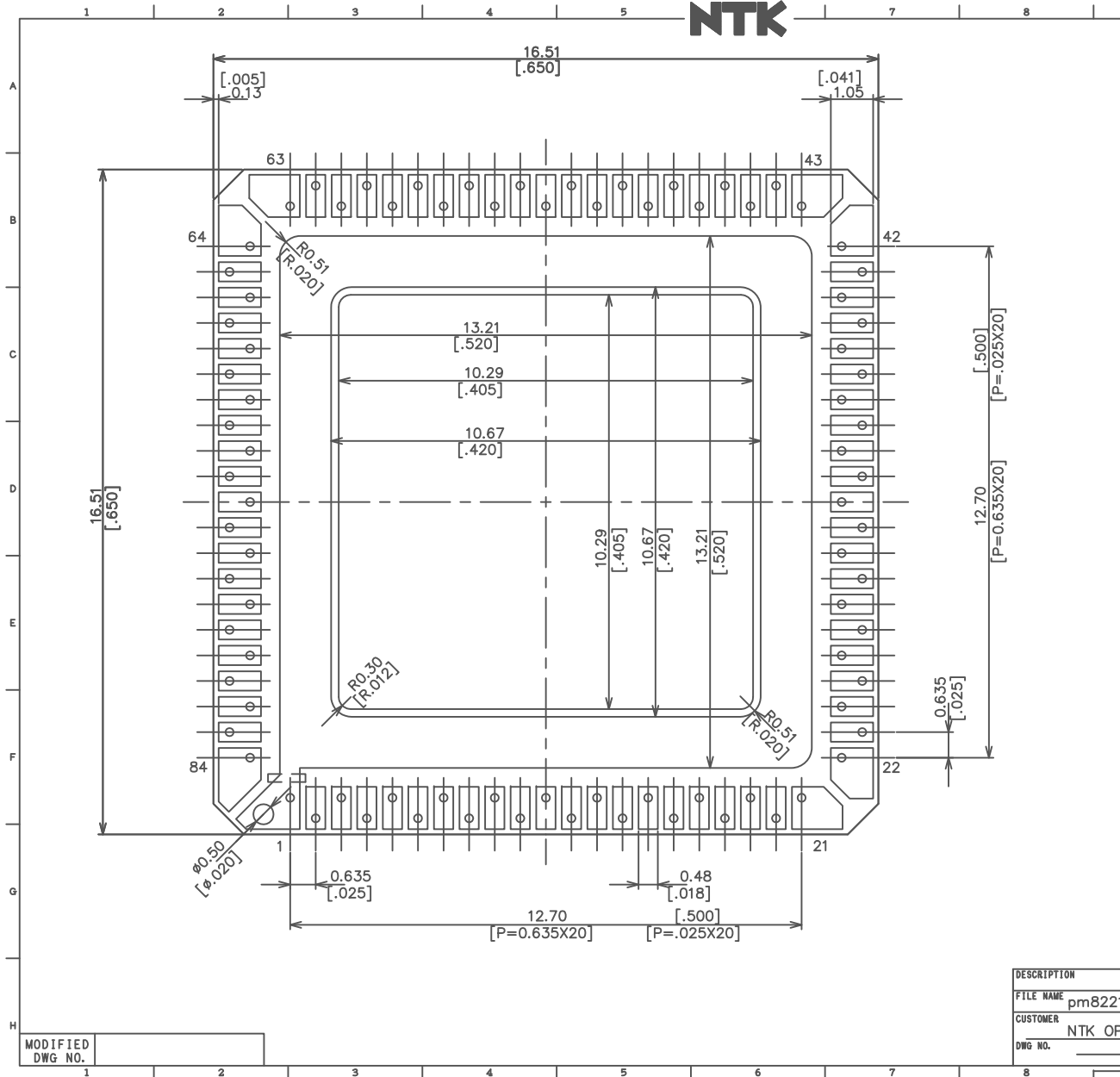
UNLESS OTHERWISE SPECIFIED TOLERANCES: \pm 1 $\%$ N. L. T. 1 DECIMALS X.X \pm 0.25 2 DECIMALS X.XX \pm 0.13	DRAWN T.MIWA CHECKED T.MIWA	NTK NGK SPARK PLUG CO., LTD. TITLE PACKAGE LAY-UP & NOTES
CUSTOMER NTK OPEN	APPROVED S.NISHIMURA	DWG NO. IMK84F1-8221 <input type="checkbox"/>
DWG NO.	UNIT MM [INCH] SCALE /	

MODIFIED DWG NO.	
------------------	--



NTK

LATEST	REVISION S	DESCRIPTION



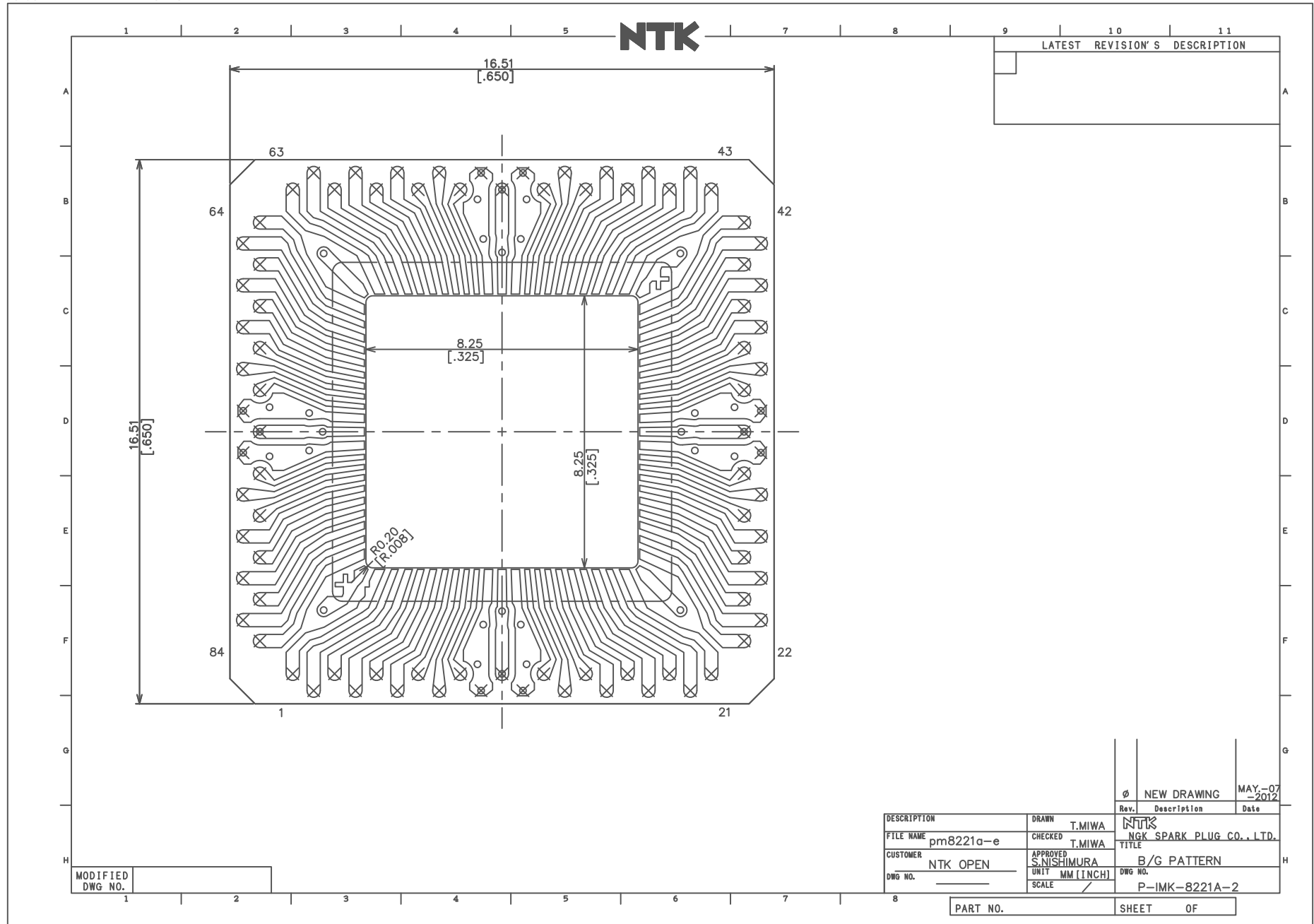
MODIFIED
DWG NO.

DESCRIPTION	DRAWN	T.MIWA	NTK
FILE NAME	CHECKED	T.MIWA	NTK SPARK PLUG CO., LTD.
CUSTOMER	APPROVED	S.NISHIMURA	TITLE
NTK OPEN			(ALUMINA COAT) S/R PATTERN
DWG NO.	UNIT	MM (INCH)	DWG. NO.
	SCALE	/	(P-IMK-8221A-4) P-IMK-8221A-3

Rev.	Description	Date
0	NEW DRAWING	MAY-07-2012

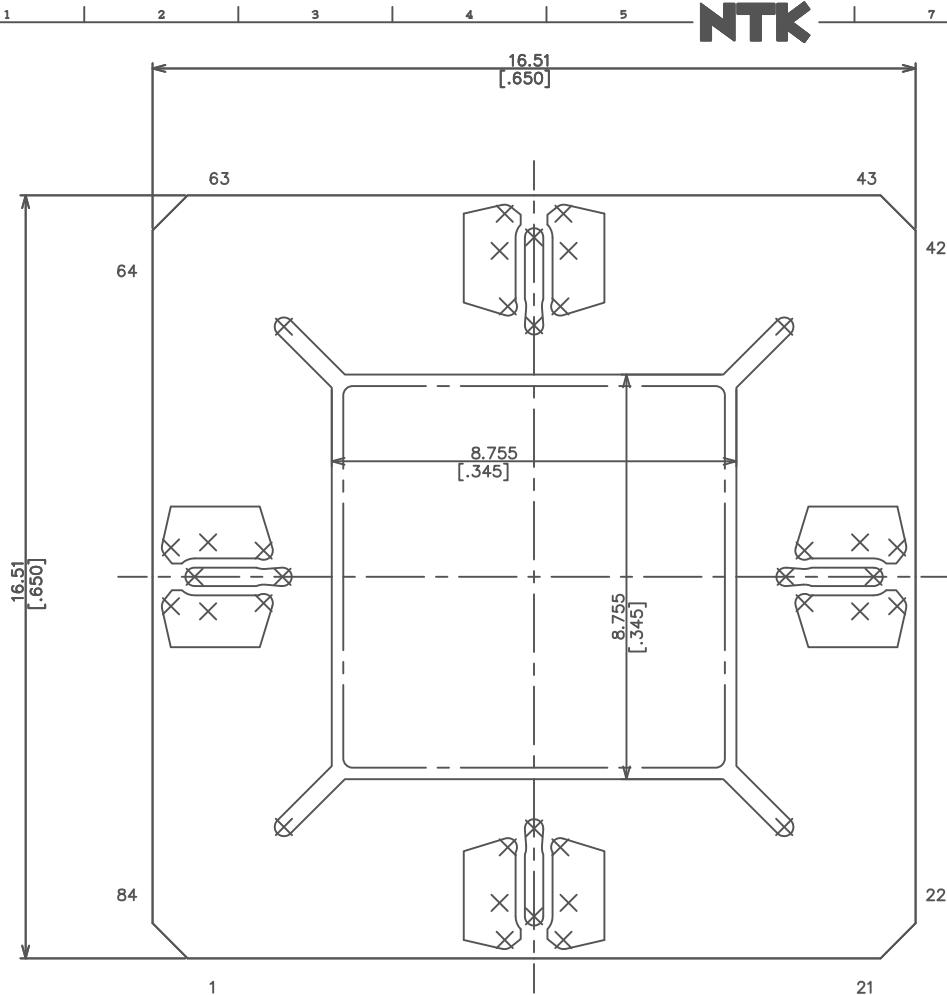
PART NO. SHEET OF





NTK

REV.	DATE	DESCRIPTION



MODIFIED
DWG NO.

DESCRIPTION	DRAWN	T.MIWA	NTK
FILE NAME	CHECKED	T.MIWA	NGK SPARK PLUG CO., LTD.
CUSTOMER	APPROVED	S.NISHIMURA	D/A PATTERN
DWG NO.	UNIT	MM (INCH)	DWG NO.
	SCALE		P-IMK-8221A-1

Rev.	Description	Date
	NEW DRAWING	MAY-07-2012

PART NO. SHEET OF

