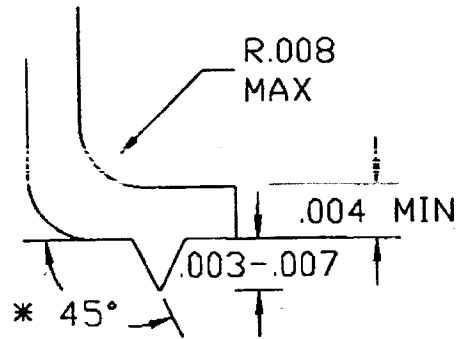
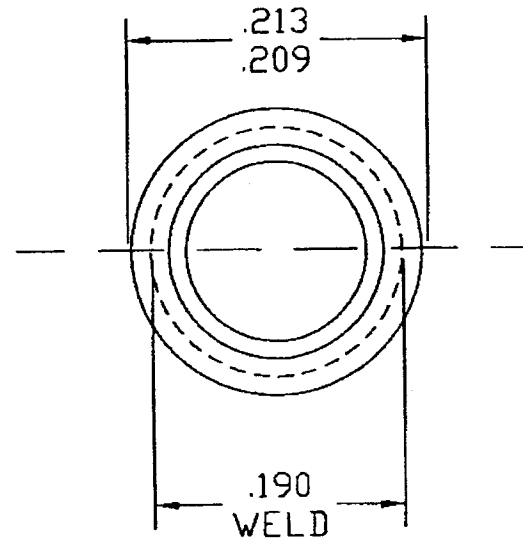
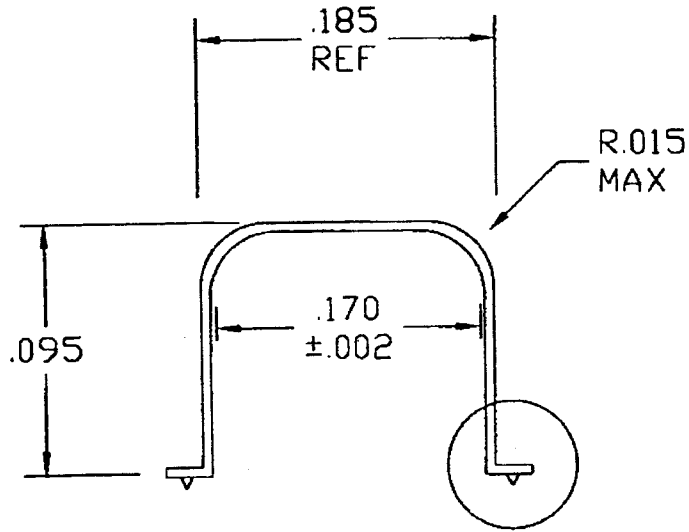


SSM P/N CAN04609



DIMENSIONS ARE IN INCHES.	DRAWING NO.	
	RMP#2019-D	
TOLERANCES .XXX $\pm .003$	TITLE	SIZE
DRAWN V.M.	MATERIAL	
	Grade A Nickel	

