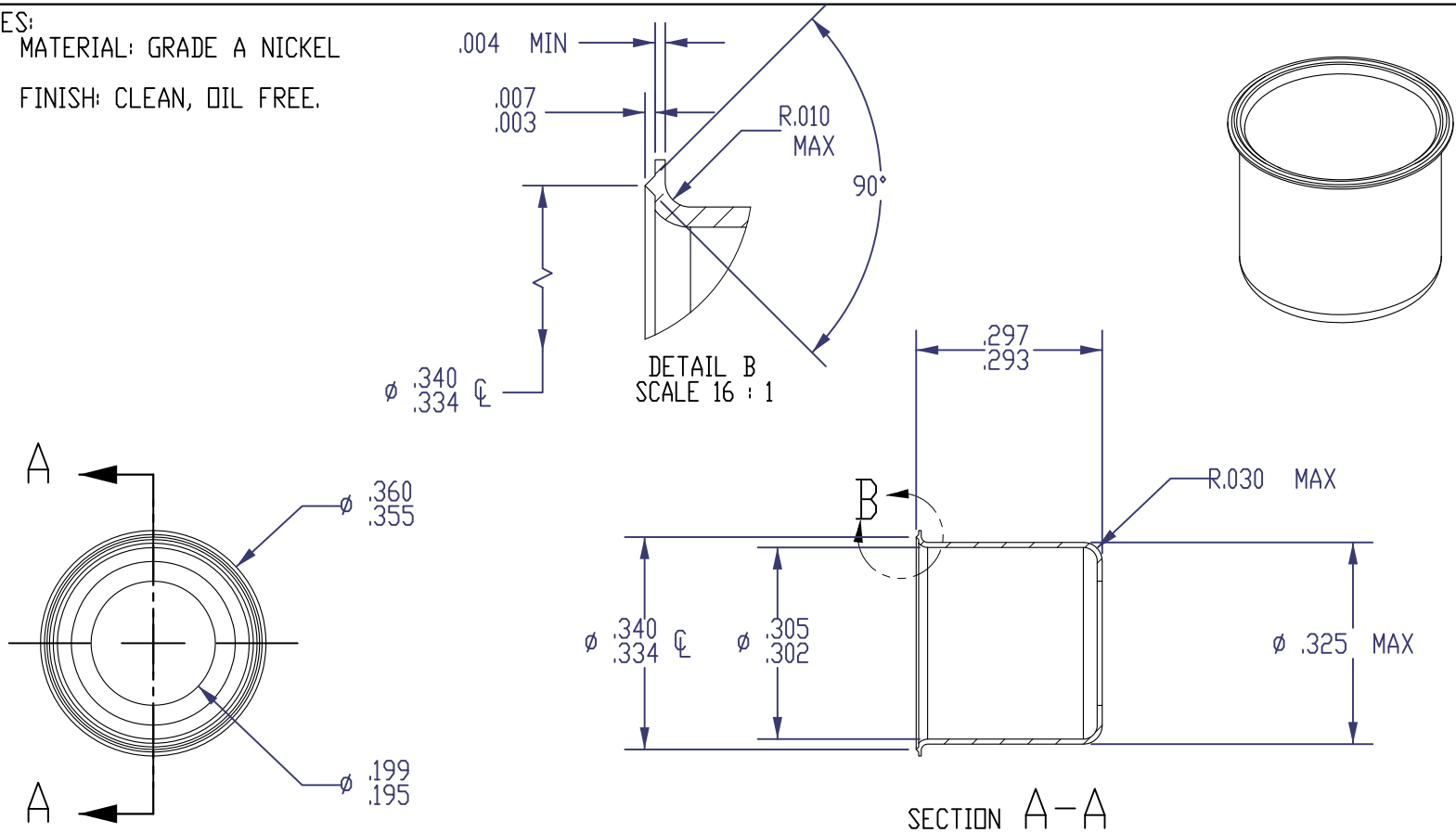


# SSM P/N CAN00516

**NOTES:**

1. MATERIAL: GRADE A NICKEL
2. FINISH: CLEAN, OIL FREE.



				RMP# 7810-H			
				DESC: T0-5 CAN		CUST. # CAN00516	
ENG. MGR:		SALES:		MFG. MGR:		QUAL. MGR:	
DATE:		DATE:		DATE:		DATE:	
DRAWN: F.H.G.		DATE: 4/22/13		SCALE: 4:1		COMBD:	
LET	REVISIONS			DATE	BY		

